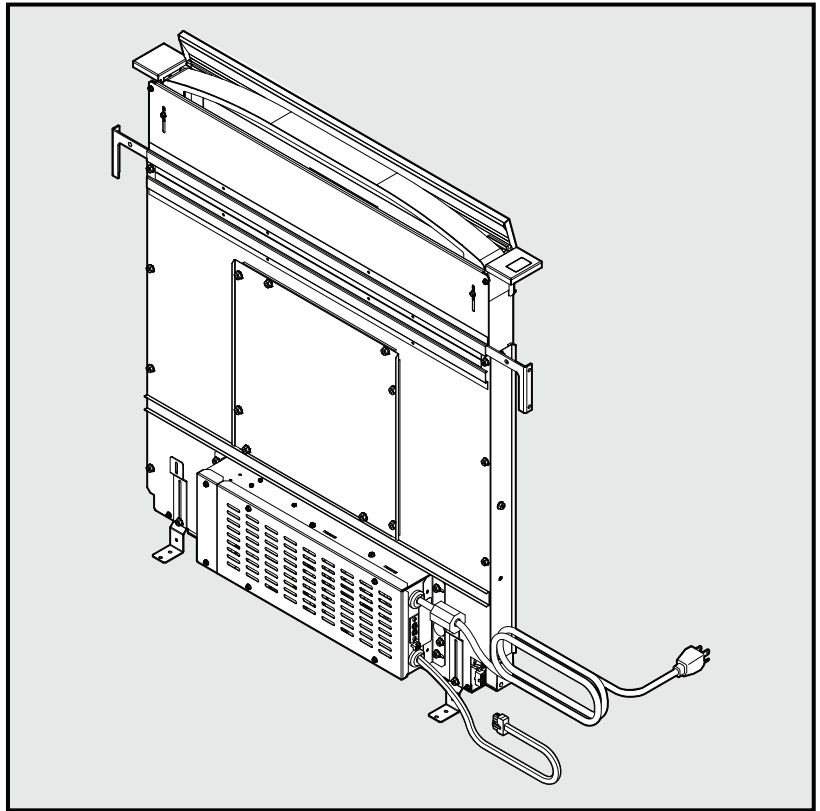


Downdraft Ventilator

For use with these blowers
(purchase blowers separately):
Model PF6* - Flex Blower - Interior
Models EB6, EB9*, EB12*, or EB15* - Exterior
Models ILB3, ILB6, ILB9 or ILB11* - In-Line
** Recommended models*



Français p. 38

Español p. 75

READ AND SAVE THESE INSTRUCTIONS

In U.S.A., register your product online at: www.BestRangeHoods.com
In Canada, register your product online at: www.BestRangeHoods.ca

Safety Information	3
Contents	4
Electrical Specifications	4
Tools Needed	4
Planning	
Before You Begin	5
Taking Measurements.....	5
Ducting Configurations	5
Cabinet Cutouts	11
Electrical Outlet Location	13
Preparing the Downdraft	
Downdraft Preparation.....	14
Side, Below or Rear Rectangular Ducting	14
Side, Below or Rear Round Ducting.....	14
Front Ducting.....	15
Electrical Panel in Remote Location	16
Final Assembly.....	16
Installation	
Cutting Countertop Opening.....	17
Install Housing into Cabinet.....	18
Installing Finish Trim	19
Installing Ductwork.....	19
Electrical Wiring Installation	
Flex Blower Only.....	20
Exterior or In-Line Blower Only	11
Appliance Installation/Operation	22
Use and Care	23
Optional Accessories	24
Appendices A-I	26
Warranty	35
Service Parts	36

**WARNING****TO REDUCE THE RISK OF FIRE, ELECTRIC SHOCK, OR INJURY TO PERSONS, OBSERVE THE FOLLOWING:**

1. Use this unit only in the manner intended by the manufacturer. If you have questions, contact the manufacturer at the address or telephone number on the back page.
2. Before servicing or cleaning unit, switch power off at service panel and lock the service disconnecting means to prevent power from being switched on accidentally. When the service disconnecting means cannot be locked, securely fasten a prominent warning device, such as a tag, to the service panel.
3. Installation work and electrical wiring must be done by a qualified person(s) in accordance with all applicable codes and standards, including fire-rated construction codes and standards.
4. Sufficient air is needed for proper combustion and exhausting of gases through the flue (chimney) of fuel burning equipment to prevent backdrafting. Follow the heating equipment manufacturer's guideline and safety standards such as those published by the National Fire Protection Association (NFPA), and the American Society for Heating, Refrigeration and Air Conditioning Engineers (ASHRAE), and the local code authorities.
5. When cutting or drilling into wall or ceiling, do not damage electrical wiring and other hidden utilities.
6. Ducted fans must always be vented to the outdoors.
7. To reduce the risk of fire, use only metal ductwork.
8. Do not install this product with the activating switch directly behind a burner or element. Minimum distance between the switch and the edge of the burner should be 4 inches.
9. Loose-fitting or hanging clothing should never be worn when operating this appliance. They may be ignited by burners/elements on cooktop.
10. Children should not be left alone or unattended in the area where this appliance is in use.
11. This unit must be grounded.
12. When applicable local regulations comprise more restrictive installation and/or certification requirements, the aforementioned requirements prevail on those of this document and the installer agrees to conform to these at his own expense.

TO REDUCE THE RISK OF A RANGE TOP GREASE FIRE:

- a) Never leave surface units unattended at high settings. Boil overs cause smoking and greasy spillovers that may ignite. Heat oils slowly on low or medium settings.
- b) Always turn hood ON when cooking at high heat or when cooking flaming foods.
- c) Clean ventilating fans frequently. Grease should not be allowed to accumulate on fan or filter.
- d) Use proper pan size. Always use cookware appropriate for the size of the surface element.

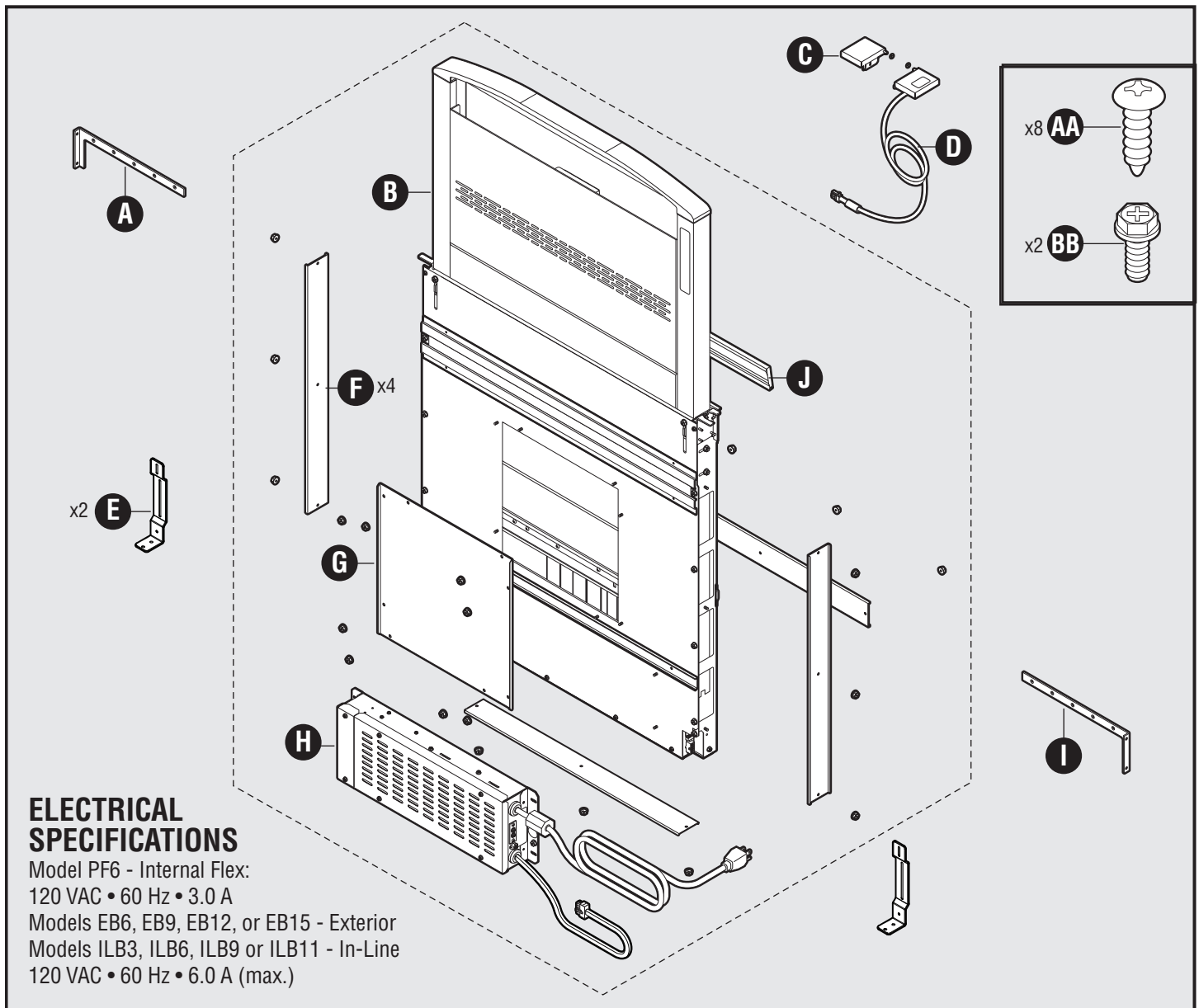
**WARNING****TO REDUCE THE RISK OF INJURY TO PERSONS IN THE EVENT OF A RANGE TOP GREASE FIRE, OBSERVE THE FOLLOWING:**

1. SMOTHER FLAMES with a close-fitting lid, cookie sheet, or metal tray, then turn off the burner. BE CAREFUL TO PREVENT BURNS. If the flames do not go out immediately, EVACUATE AND CALL THE FIRE DEPARTMENT.
2. NEVER PICK UP A FLAMING PAN - You may be burned.
3. DO NOT USE WATER, including wet dishcloths or towels - a violent steam explosion will result.
4. Use an extinguisher ONLY if:
 - A. You know you have a Class ABC extinguisher, and you already know how to operate it.
 - B. The fire is small and contained in the area where it started.
 - C. The fire department is being called.
 - D. You can fight the fire with your back to an exit. Based on "Kitchen Fire Safety Tips" published by NFPA.

**CAUTION**

1. For indoor use only.
2. For general ventilating use only. Do not use to exhaust hazardous or explosive materials and vapors.
3. To avoid motor bearing damage and noisy and/or unbalanced impellers, keep drywall spray, construction dust, etc. off power unit.
4. Clean filters and grease-laden surfaces frequently.
5. Do not repair or replace any part of this appliance unless specifically recommended in this manual. All other servicing should be done by a qualified technician.
6. Please read specification label on product for further information and requirements.
7. When installing, servicing or cleaning the unit, it is recommended to wear safety glasses and gloves.
8. To reduce the risk of fire and electric shock, install this downdraft only with blower models shown below. Other blower models cannot be substituted. (Blowers sold separately). Flex Blower Model PF6, Exterior Blower Models EB6, EB9, EB12, or EB15 In-Line Blower Models ILB3, ILB6, ILB9, or ILB11.

INSTALLER: Save this manual for Electrical Inspector and Homeowner to use.



ELECTRICAL SPECIFICATIONS

Model PF6 - Internal Flex:
 120 VAC • 60 Hz • 3.0 A
 Models EB6, EB9, EB12, or EB15 - Exterior
 Models ILB3, ILB6, ILB9 or ILB11 - In-Line
 120 VAC • 60 Hz • 6.0 A (max.)

Part	Description	Quantity
A	Upper support bracket (left)	1
B	Downdraft ventilator housing	1
C	End cap trim (left)	1
D	End cap trim—up button (right)	1
E	Support leg	2
F	Discharge cover	4

Part	Description	Quantity
G	Front panel cover	1
H	Electrical panel	1
I	Upper support bracket (right)	1
J	Flip door	1
AA	#10 x .50 Phillips round head screw	8
BB	#8-18 x .375 Phillips screw	2

Tools Needed

Measuring tape, pencil, Phillips screwdriver #2, nut drivers (11/32", 3/8", 7/16"), saw, spirit-level, tin snips, work gloves, and aluminum tape. (DO NOT use insulating tape.)

Before You Begin

Due to its flexible design, this downdraft system can be used to exhaust airborne contaminants when cooking with a variety of gas or electric cooking appliances - **including cooktops, rangetops, slide-in ranges and free-standing ranges.**

It can be mounted in island, peninsula, or conventional wall locations. The blower (purchase separately) and electrical panel can be mounted to the downdraft unit, inside the cabinet, or in a convenient remote location.

This unit can be easily installed following these basic steps:

- Cut out the countertop opening.
- Mount the unit in the cabinet.
- Install the blower and electrical panel.
- Connect the ductwork and electrical.
- Install the trim.
- Install the cooking appliance.

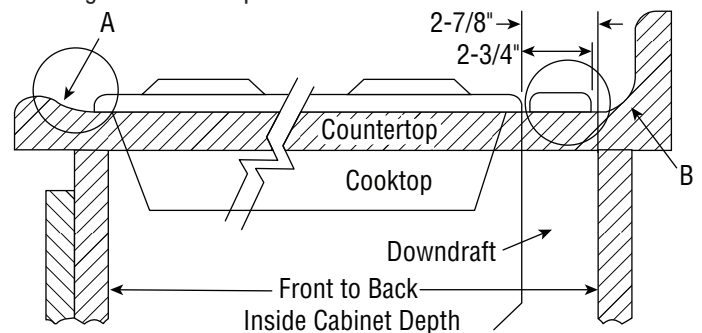
Note: the high level of air flow of this appliance may affect the gas flame on some types of gas cooktops. This is **NORMAL** and will cause no harm, but can be corrected by lowering the speed of the blower.

Gas Cooktop Seal Kit is recommended for use with all gas cooktops. The kit creates a seal between the cooktop and the lower cabinet. Includes trim bracket and trim seal. See Optional Accessories section.

Note: Save included template for counter cut-out dimensions.

Taking Measurements

- Refer to the cooktop installation instructions for dimensions of cooktop, countertop cut-out, and cabinet requirements. However, it is recommended that oversized cabinets be used for easier installation. Custom island designs need to account for deeper cabinets - especially when installed with a range in front of the downdraft or when mounting the blower behind the downdraft. You must also plan for an access door.
- Cooktop depth can vary greatly from one to another. This may cause the fit of these two appliances to be rather tight. Pay special attention to the areas of potential interference highlighted below. A countertop with (A) a raised lip and/or (B) a backsplash may not allow enough flat countertop for a proper installation. Note that 2-3/4" of flat countertop is required behind cooktop and that 2-7/8" is necessary between the back edge of the cooktop and the inside of cabinet back.

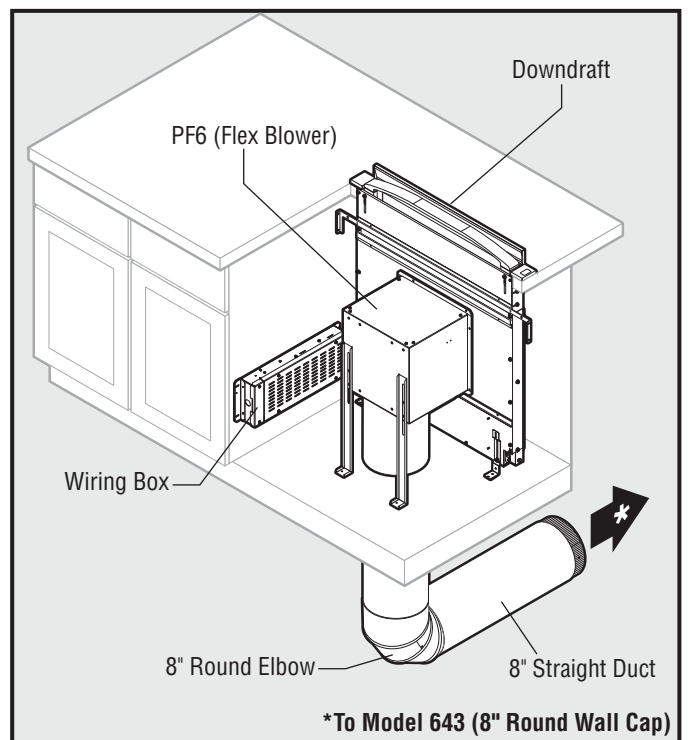


Ducting Configurations

- The downdraft blower system is designed for use with 8" round ductwork using a flex blower or 10" round ductwork using a remote blower. (Purchase blowers separately.)
- For best performance: Choose the ducting option which allows the shortest length of ductwork and a minimum number of elbows and transitions. Check location of floor joists, wall studs, electrical wiring or plumbing for possible interference.

For more detailed ducting information see appendices A-G at the end of document.

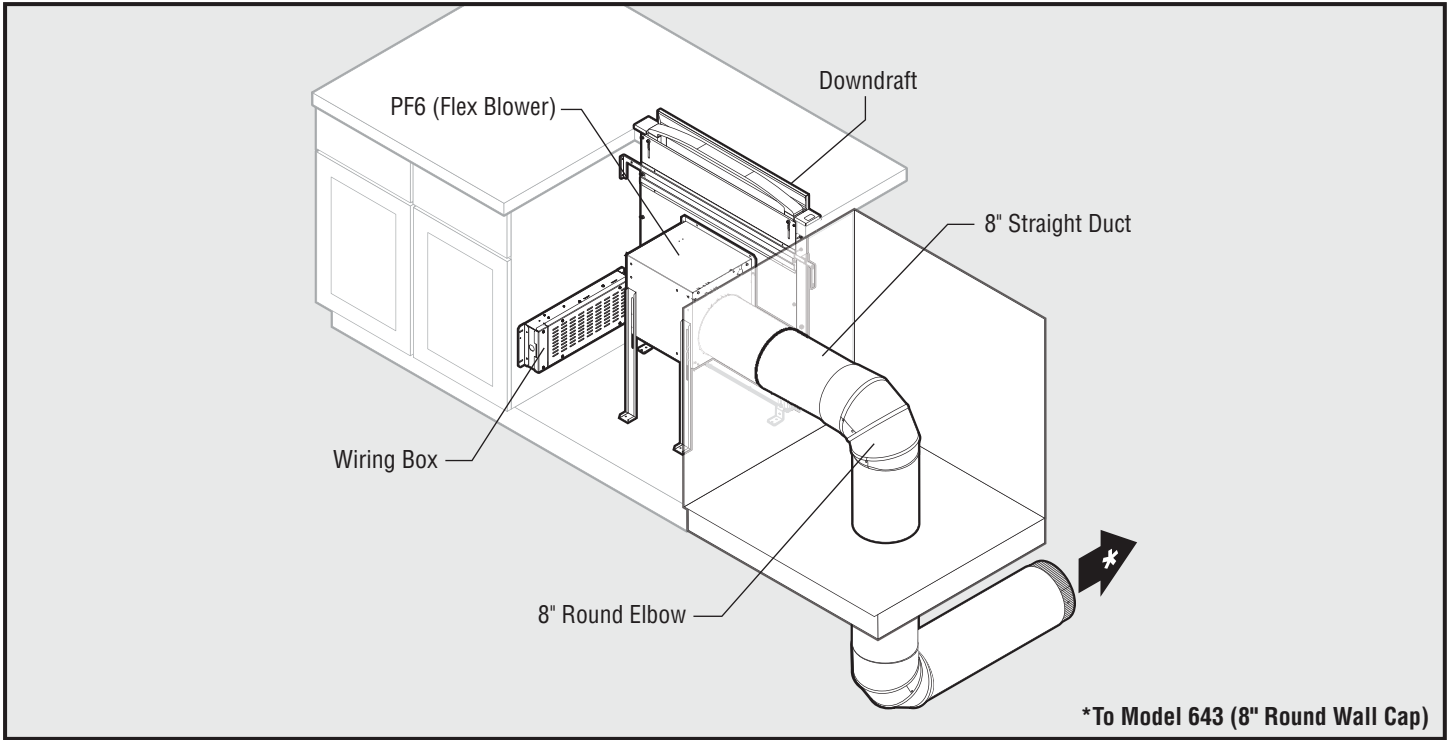
Front Exhaust with Flex Blower



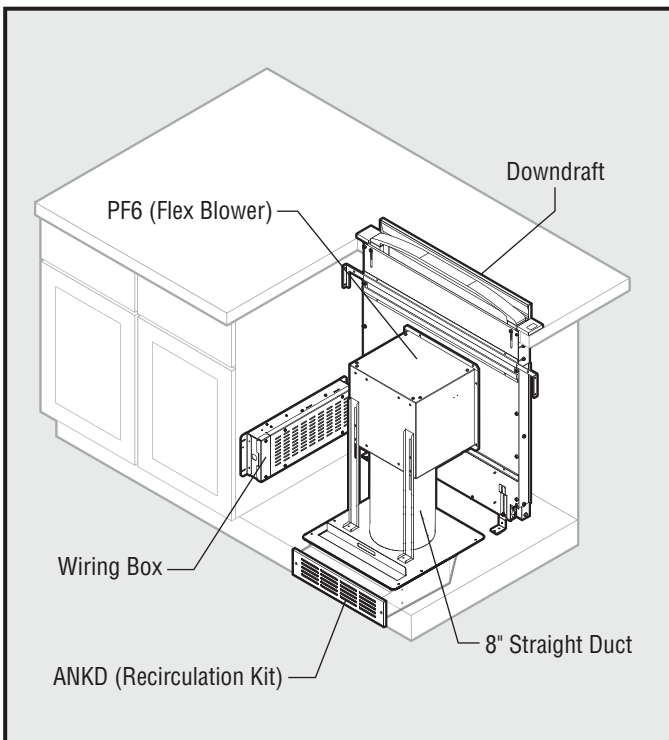
***To Model 643 (8" Round Wall Cap)**

Ducting Configurations (continued)

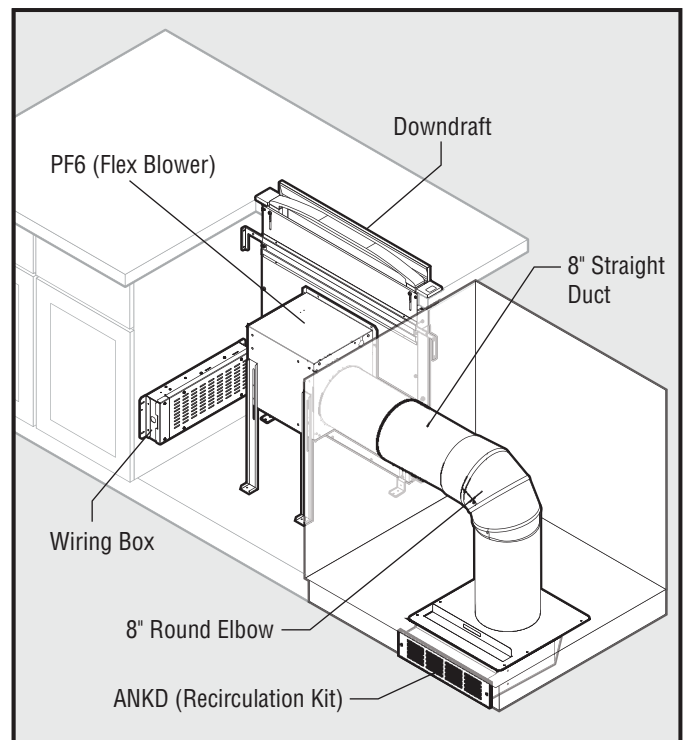
Front Exhaust with Flex Blower (through cabinet)



Front Exhaust with Flex Blower and Recirculating Kit

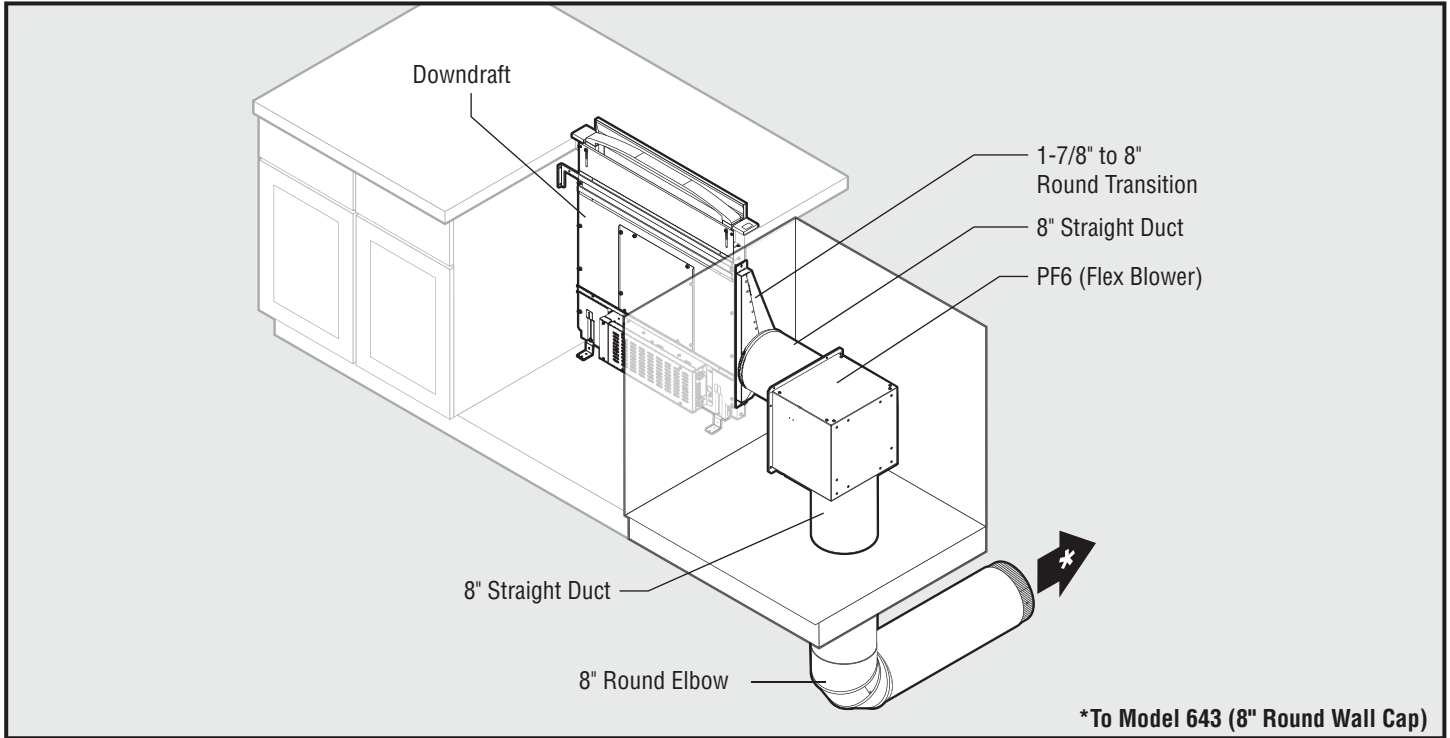


Front Exhaust with Flex Blower (through cabinet) and Recirculating Kit

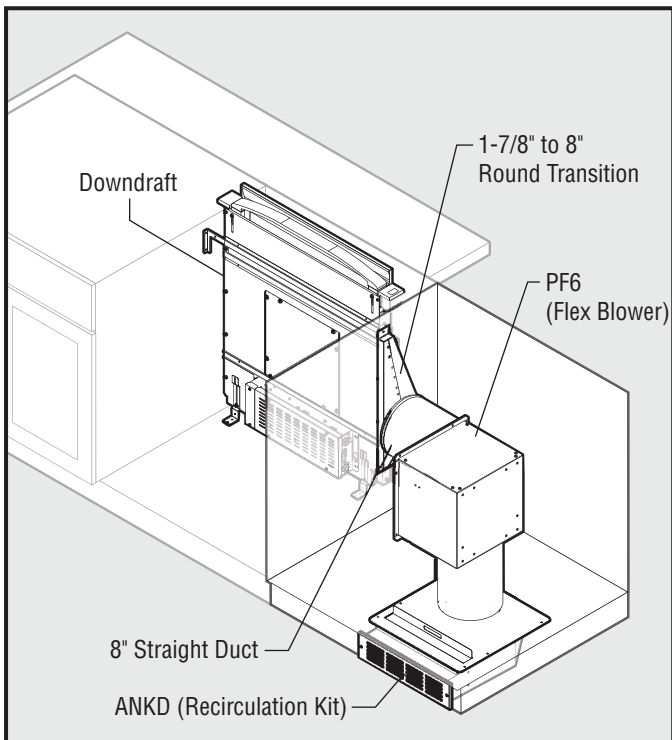


Ducting Configurations (continued)

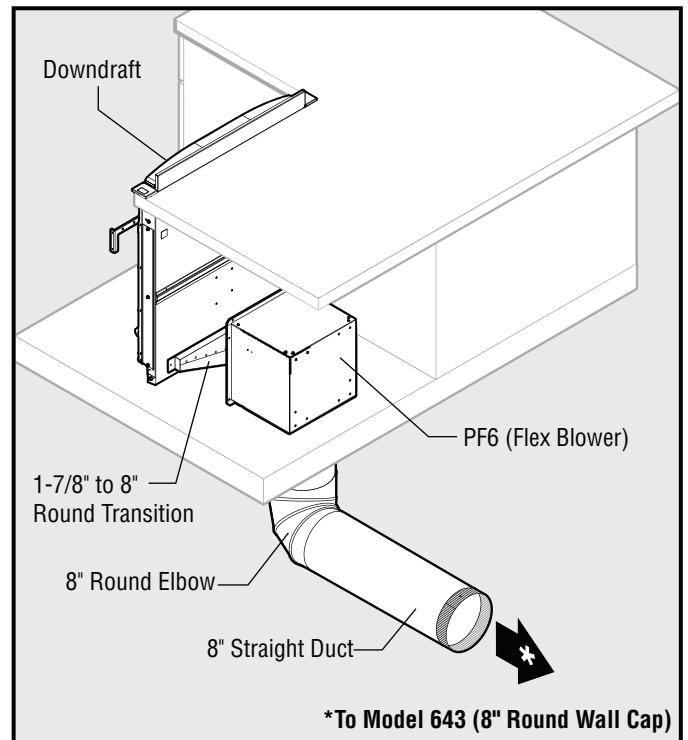
Side Exhaust with Flex Blower



Side Exhaust with Flex Blower and Recirculating Kit

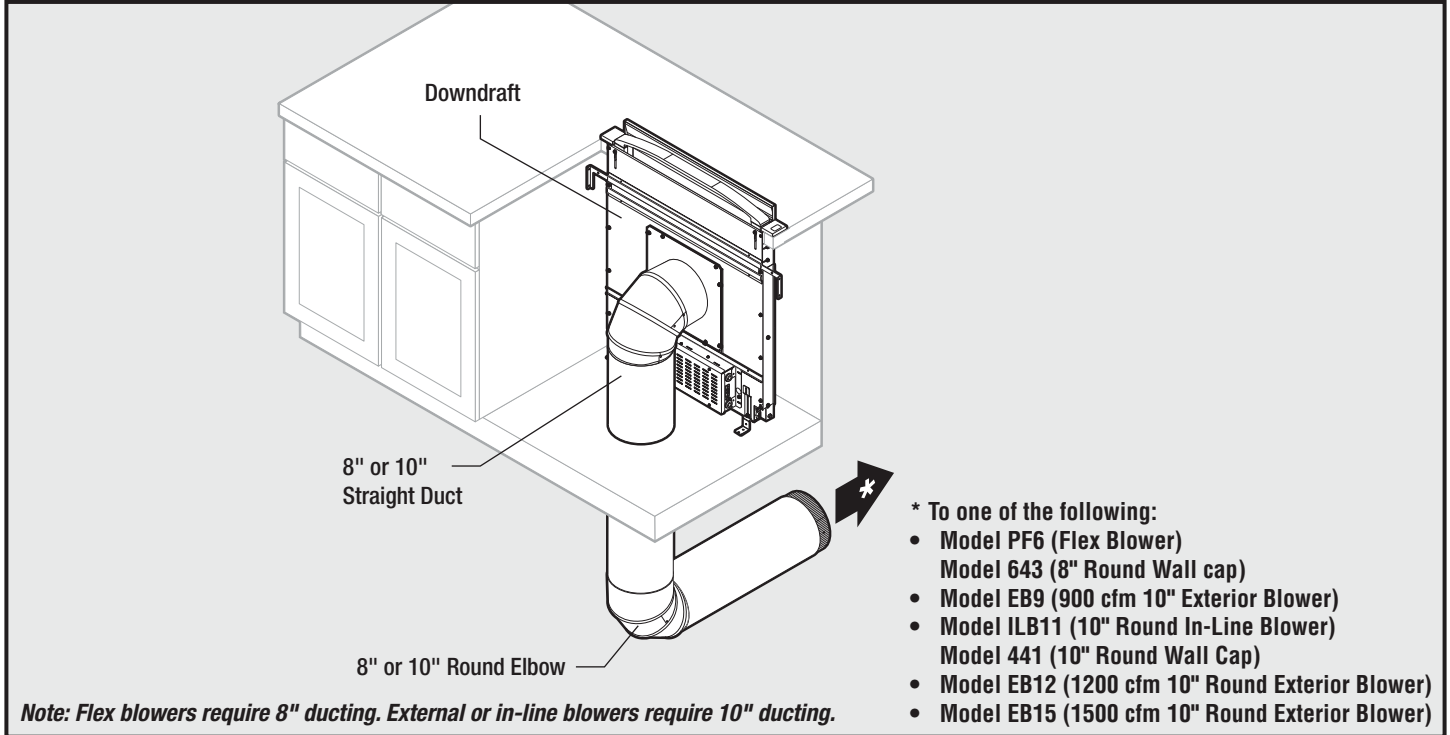


Rear Exhaust with Flex Blower

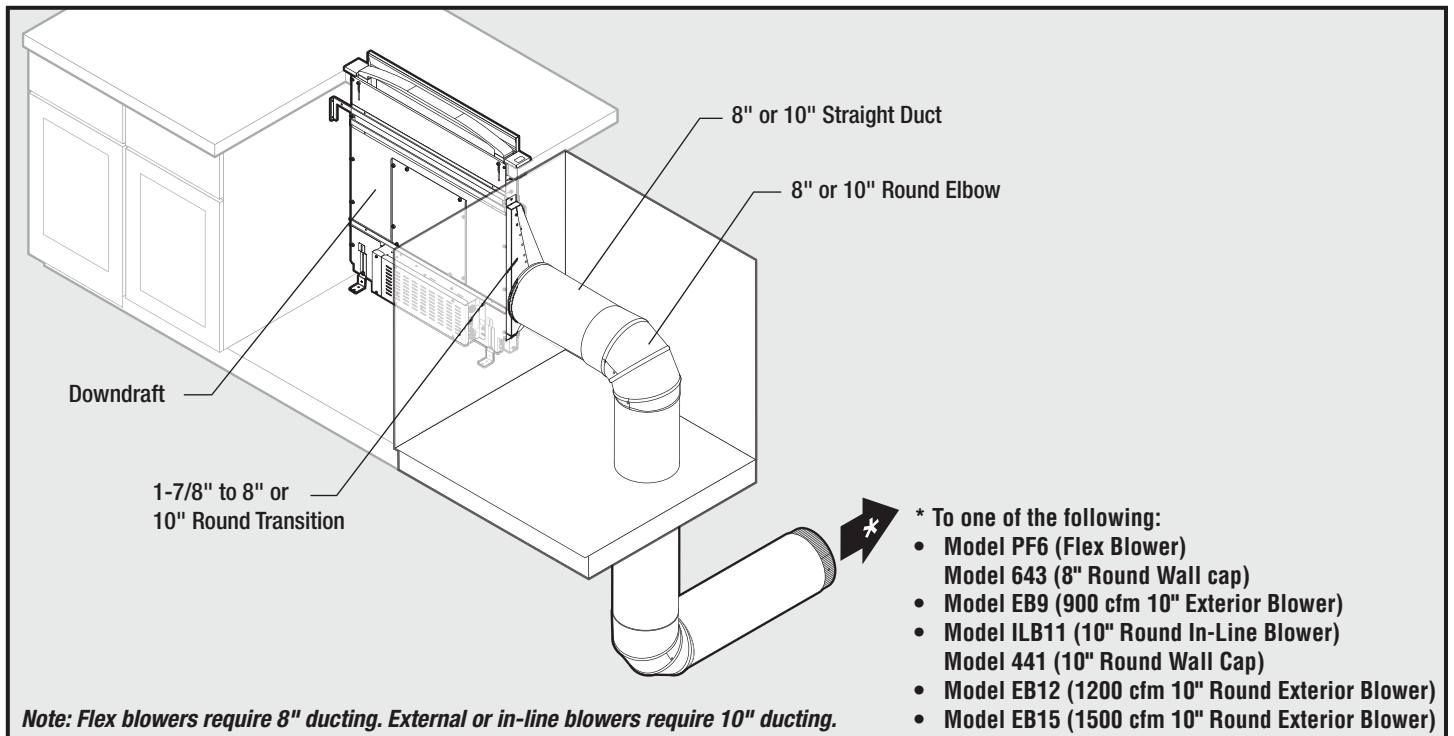


Ducting Configurations (continued)

Front Exhaust with Remote Blower

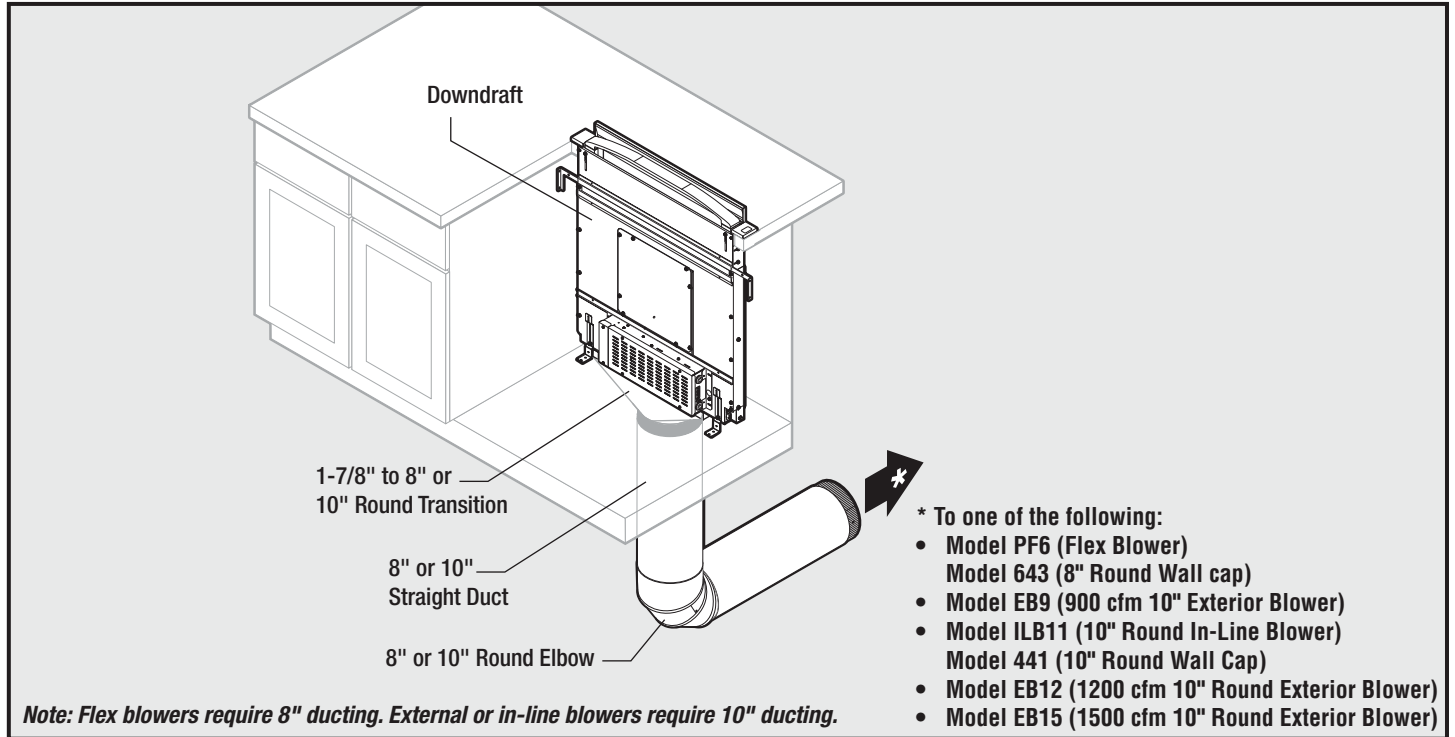


Side Exhaust with Remote Blower

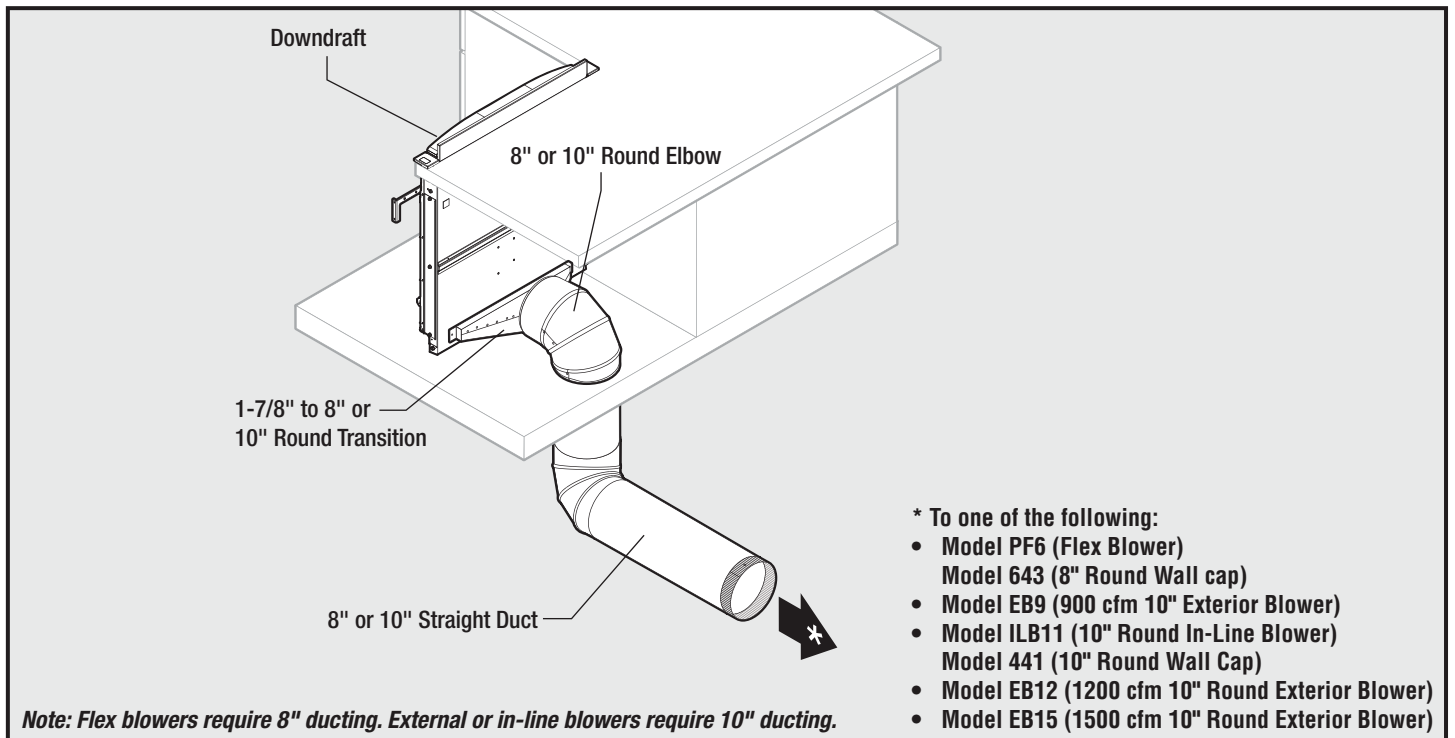


Ducting Configurations (continued)

Below Exhaust with Remote Blower

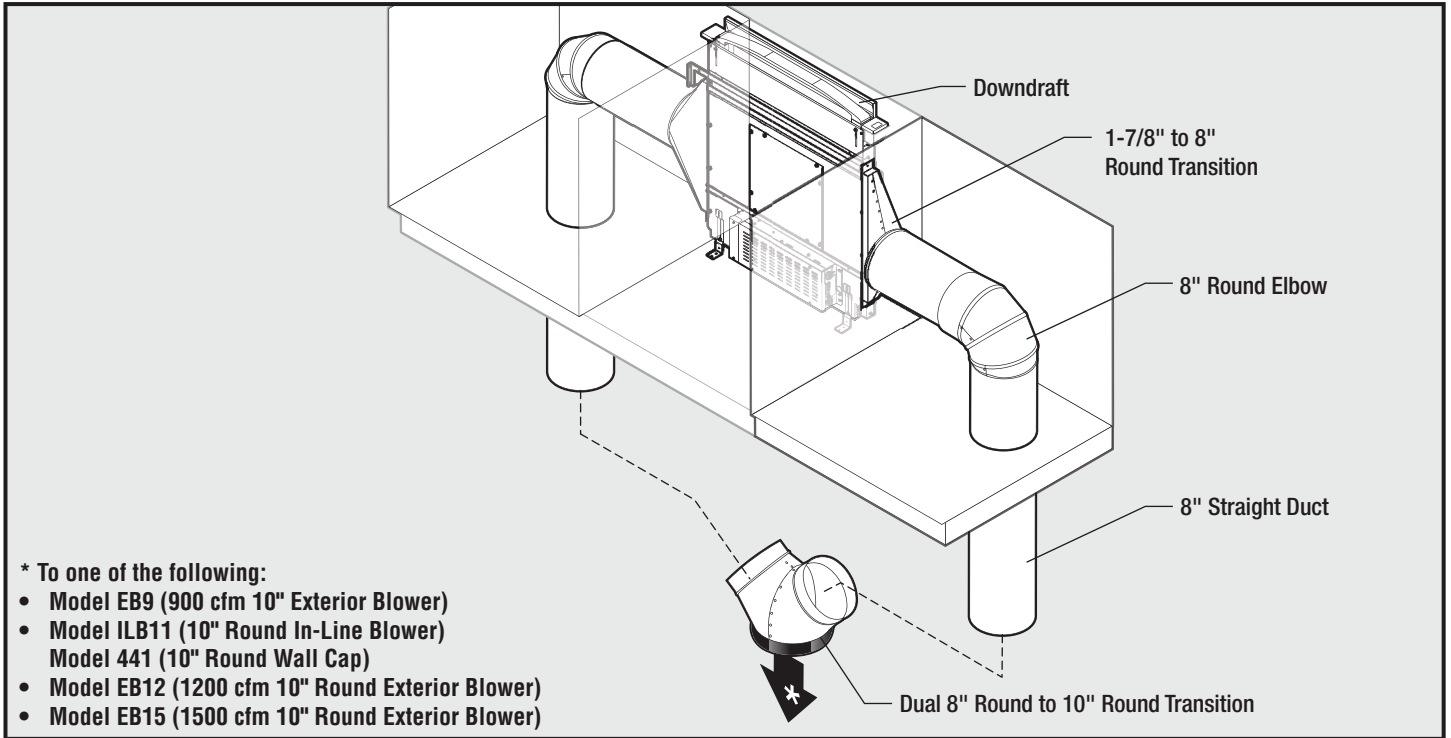


Rear Exhaust with Remote Blower



Ducting Configurations (continued)

Dual Duct Side Exhaust with Remote Blower



Cabinet Cutouts



BEFORE CUTTING HOLE IN CABINET FOR DUCTWORK, check for interference with floor joists, wall studs, electrical wiring, or plumbing.

Use the dimensions in illustrations to help plan how and where to provide duct access through your cabinet. A 1-7/8" x 19" rectangular duct can be used through left, right, floor and back of cabinet. Also, 8" round or 10" round can also be used through cabinet floor.

For left, right, or rear exhaust: Allow at least 18" for transition and elbow or blower.

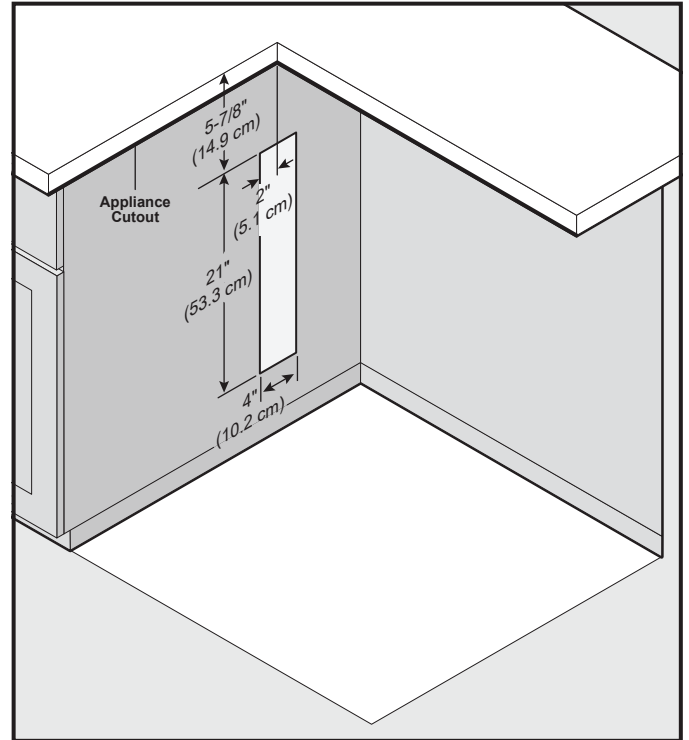
For left / right exhaust: a 30" deep cabinet is recommended to align properly with flex blower. Flex blower can be mounted to rear cabinet wall or to a platform / frame (not provided) on the base of the cabinet floor. (See flex blower instructions).

Note: Flex blower can only attach to the front of the downdraft.

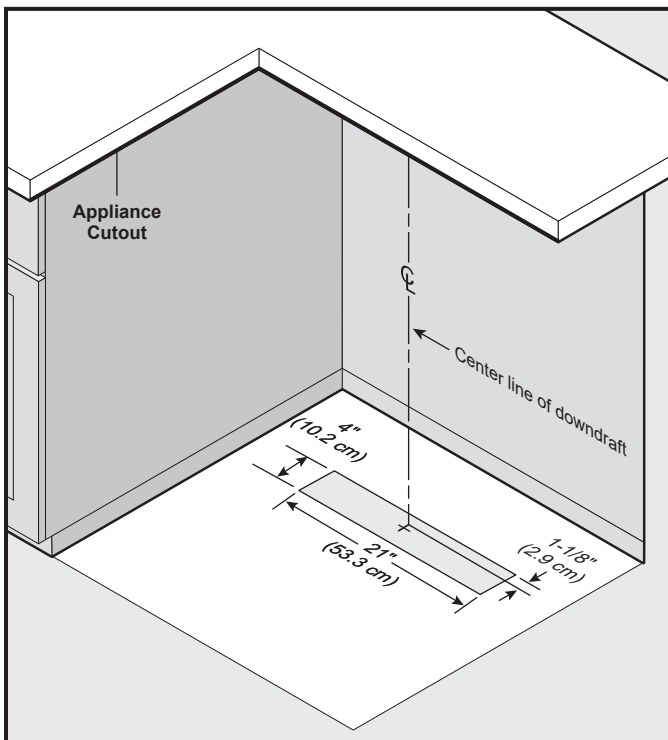
Cabinet depths of 24" to 30" are required - depending on the type of cooking appliance.

If using a Recirculating Kit, see "Plan the installation" section of the installation instructions packaged with the kit.

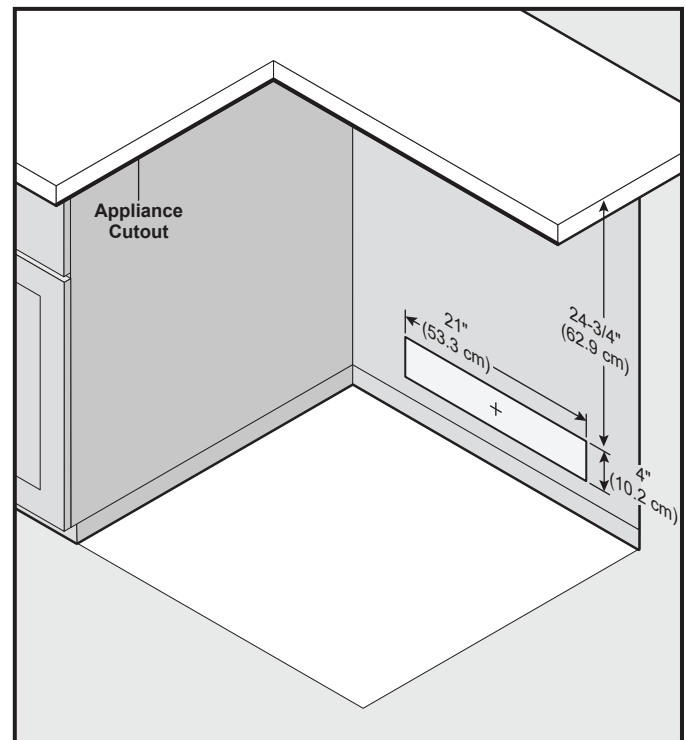
Side Ducting Cutout



Below Ducting Cutout

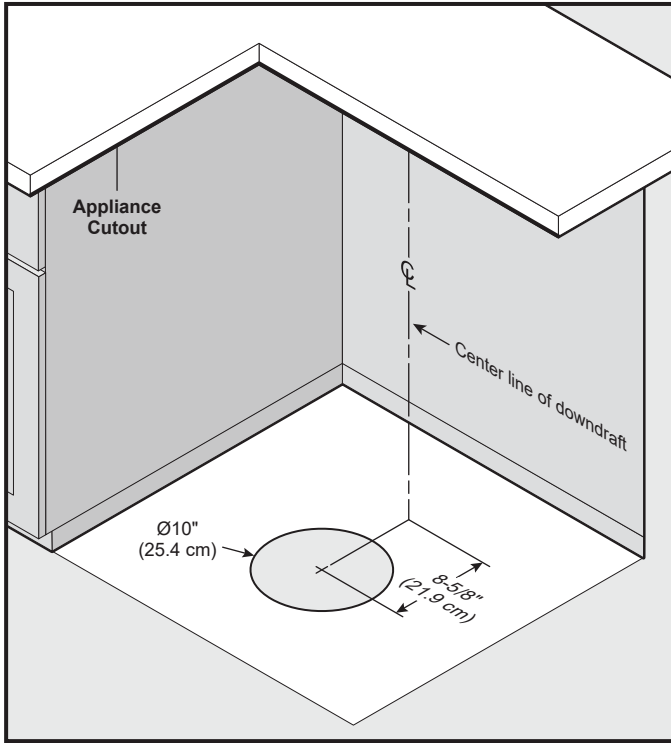


Rear Ducting Cutout



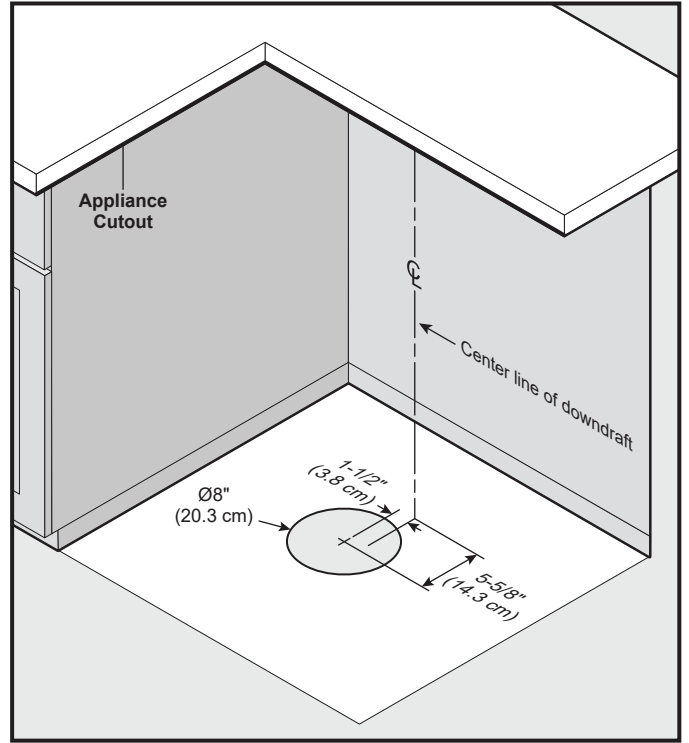
Cabinet Cutouts (continued)

10" Exterior or In-line Blower Ducting Cutout

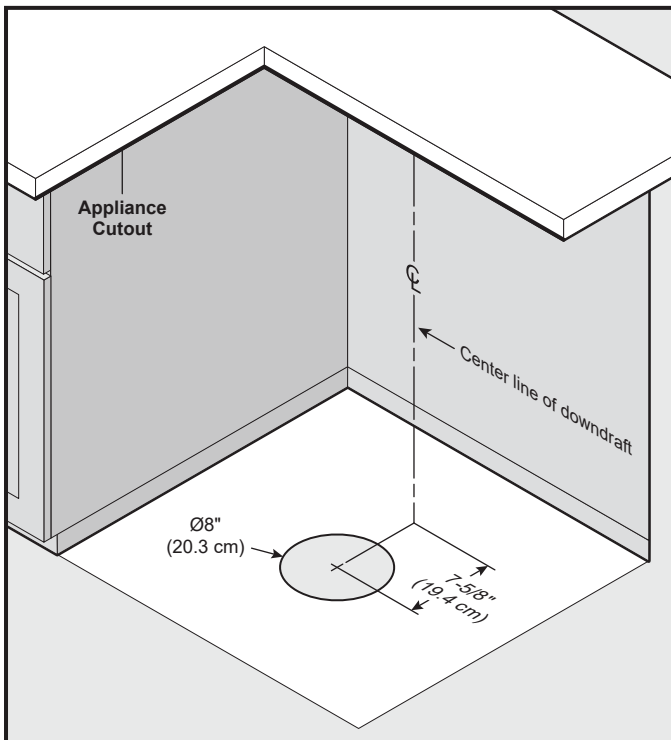


Dimensions based off of Model 418 - 10" round elbow

Flex Blower Ducting Cutout



Flex Blower Ducting - Remote Location Cutout



Dimensions based off of Model 432 - 8" round elbow

Electrical Outlet Location

Flex Blower only

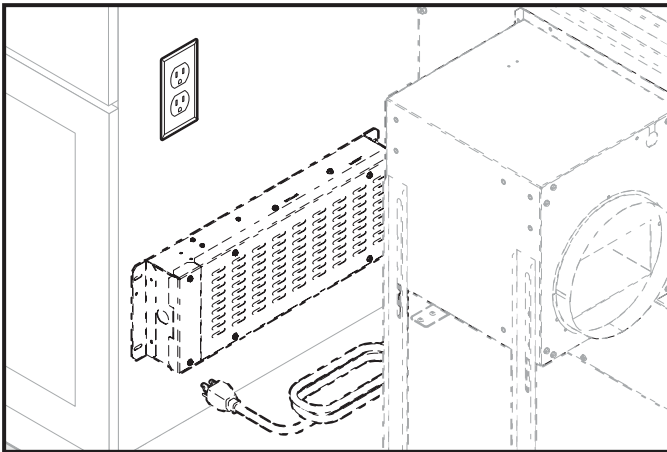


CAUTION

All electrical wiring should be done by a qualified person(s) in accordance with all applicable codes and standards.

- This downdraft blower using the Flex Blower (purchase separately) draws 3.0 Amps and requires a 120 VAC, 60 Hz circuit.
- The unit has a 30 in. long power cord with a 3-pronged plug. Plan to provide a grounded outlet in a location which will allow the unit's power cord to reach.
- Install electrical box according to local codes.

Note: The unit electrical panel can be installed in remote location (as show below) to help reach the outlet (see page 16).



Mount a standard wiring box, with 3-pronged receptacle, within reach of downdraft's power cord. Run appropriate power cable and connect it to receptacle.

Exterior or In-Line Blower only

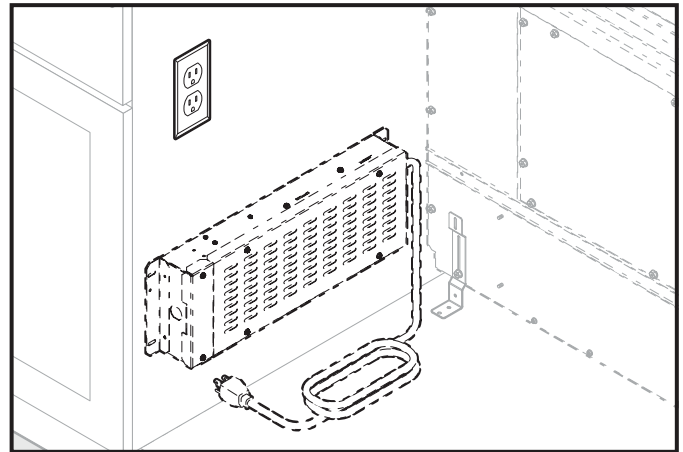


CAUTION

All electrical wiring should be done by a qualified person(s) in accordance with all applicable codes and standards.

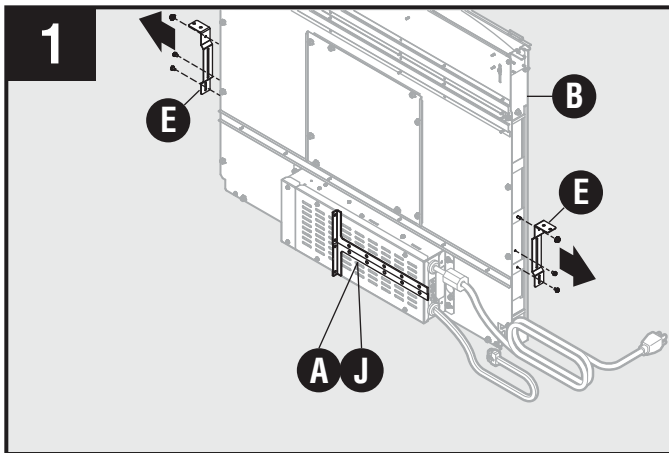
- If using a remote blower (purchase separately), the system draws 6.0 Amps (max.) and requires a 120 VAC, 60 Hz circuit.
- The unit has a 30 in. long power cord with a 3-pronged plug. Plan to provide a grounded outlet in a location which will allow the unit's power cord to reach.
- Install electrical box according to local codes.

Note: The unit electrical panel can be installed in remote location (as shown below) to help reach the outlet (see page 16).



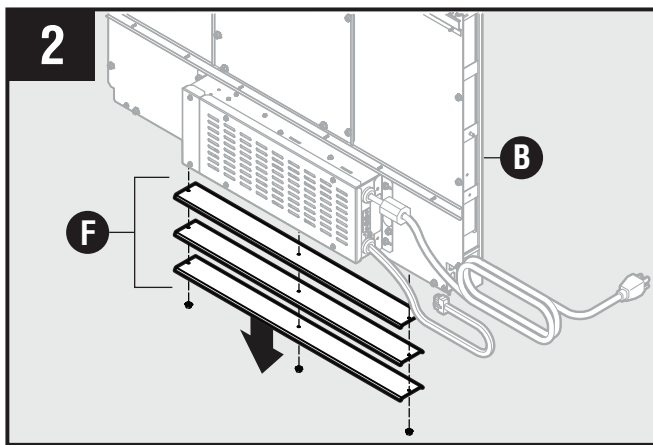
Mount a standard wiring box, with 3-pronged receptacle, within reach of downdraft's power cord. Run appropriate power cable and connect it to receptacle.

Downdraft Preparation

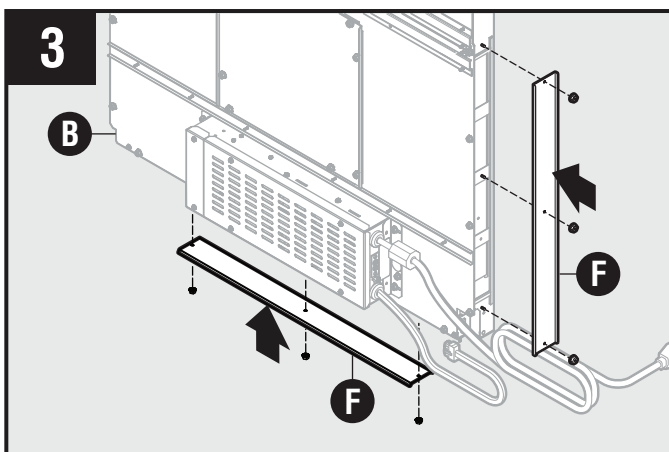


Detach the upper support brackets (A, J) from the downdraft (B) by cutting off the tie wraps. Remove and set aside both support legs (E) from sides of the downdraft (one leg per side).

Note: Discard the retaining screws, but KEEP THE NUTS.



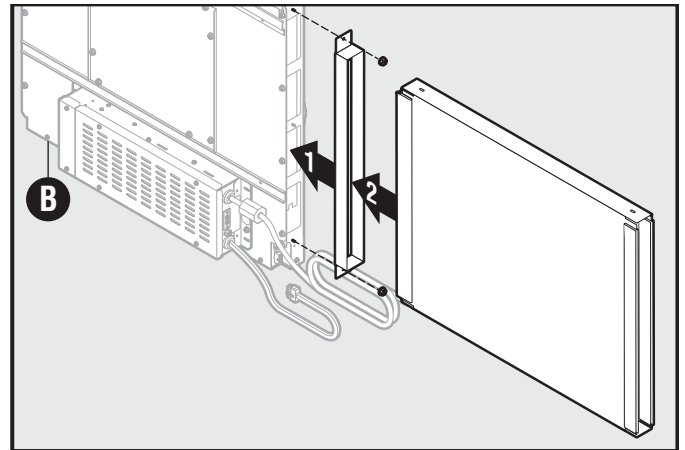
Remove the bundle of 3 discharge covers (F) from the bottom of the downdraft (B).



Cover the discharge openings that won't be used for ducting.

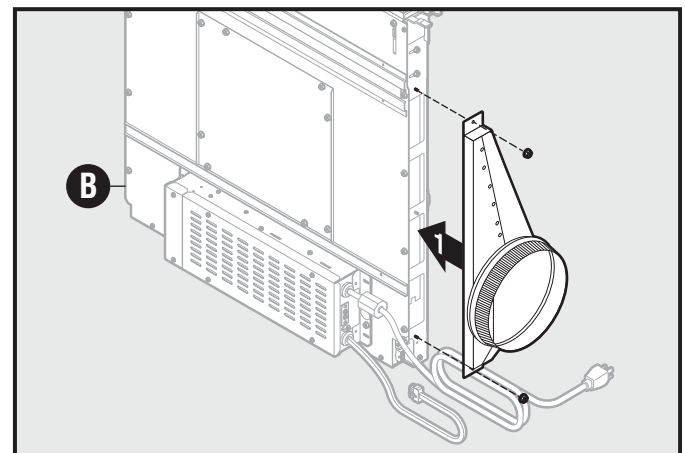
Note: Use the nuts removed in step 1 for side discharge covers.

Side, Below or Rear Rectangular Ducting



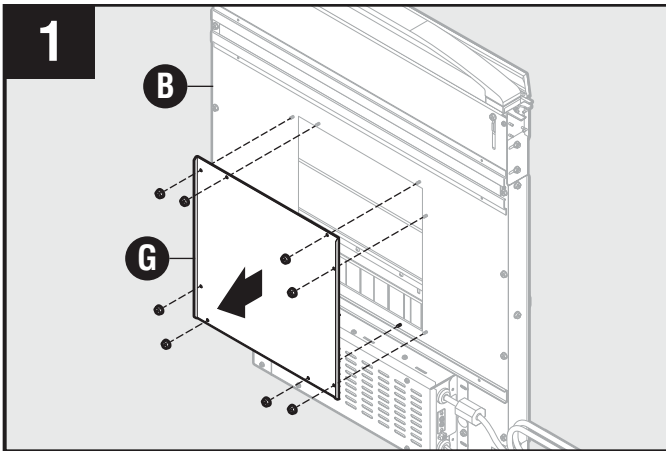
Install an adapter and a rectangular ductwork to downdraft (B).

Side, Below or Rear Round Ducting

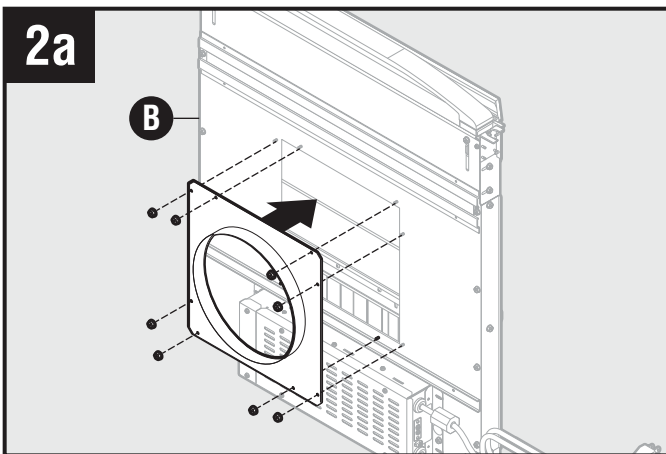


Install 1-7/8" x 19" to 8" or 10" round transition to downdraft (B).

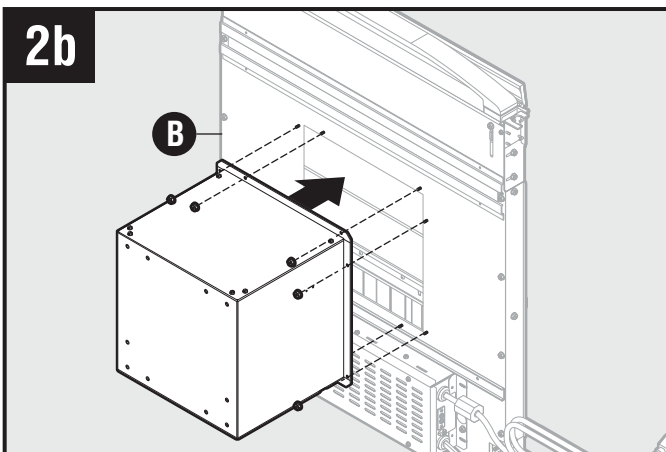
Front Ducting



Remove front panel cover (G) from downdraft (B).



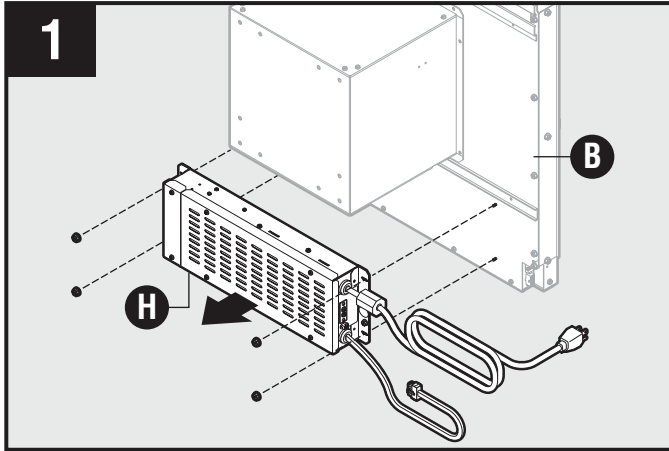
Install 8" or 10" remote discharge plate to downdraft (B).



Install the flex blower to downdraft (B).

Note: Flex blower can be installed with duct to left, right or downward.

Electrical Panel in Remote Location

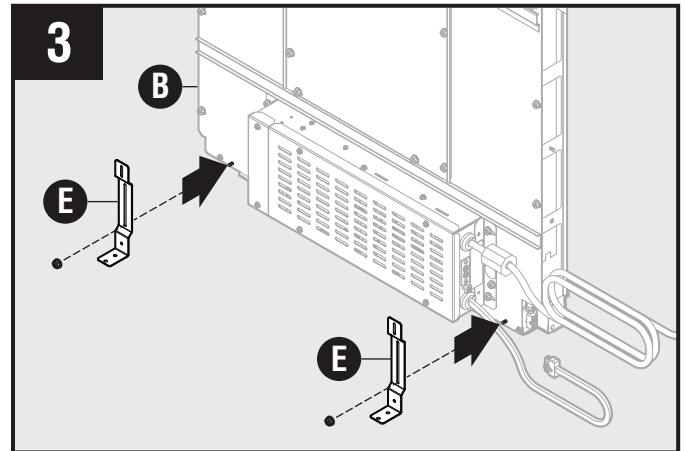


Remove electrical panel (H) from downdraft (B).

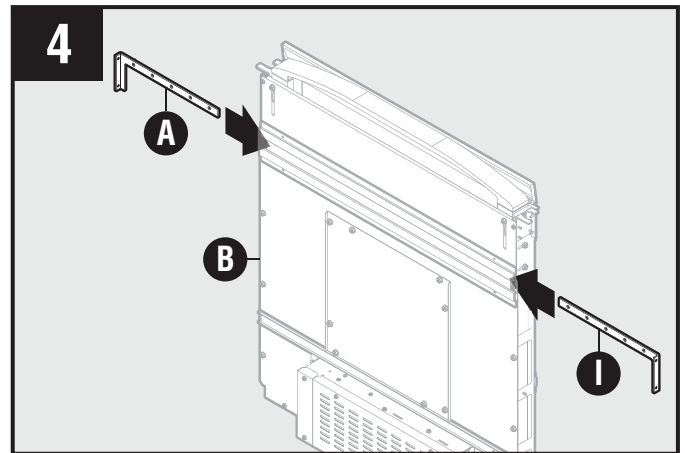
Note: Option for most installations. Required for flex blower installations when discharge is down.



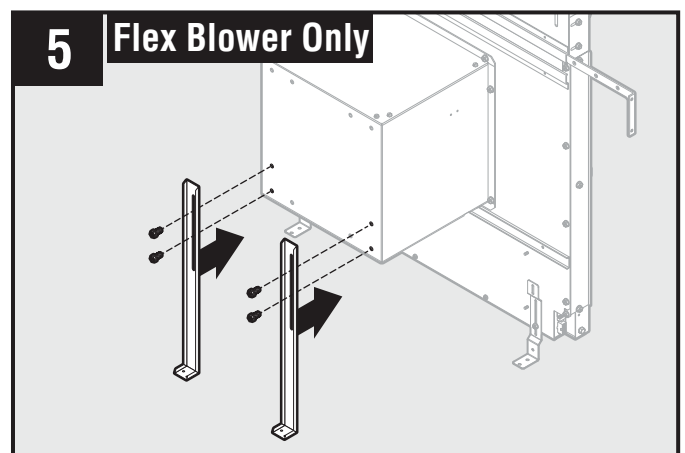
Final Assembly



Attach previously removed lower support legs (E) to downdraft (B) using one nut for each leg.

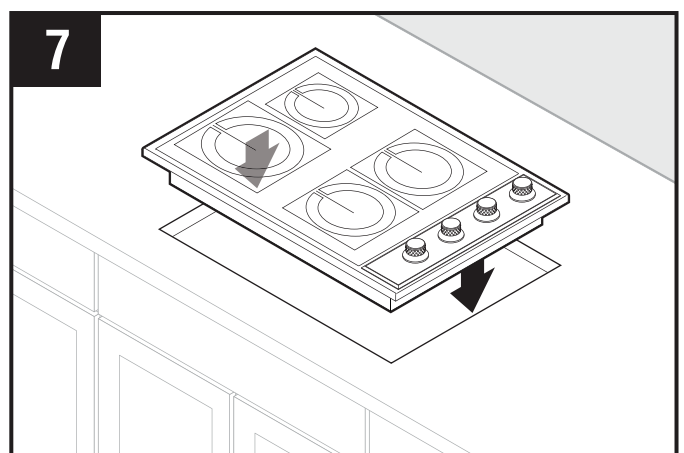
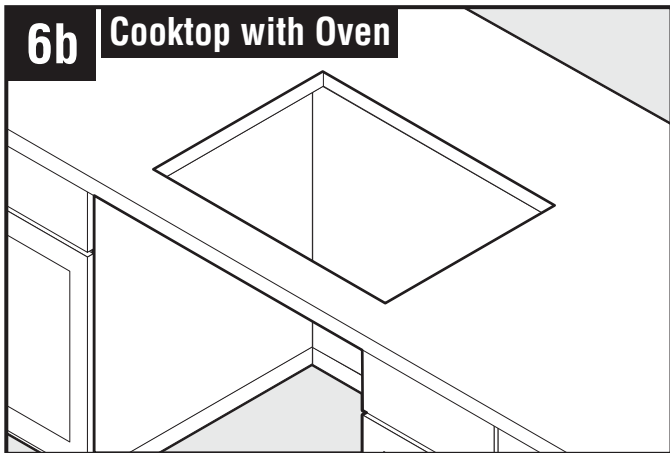
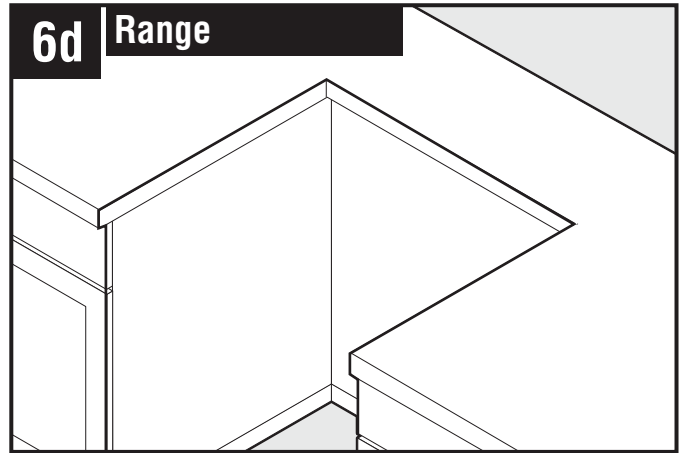
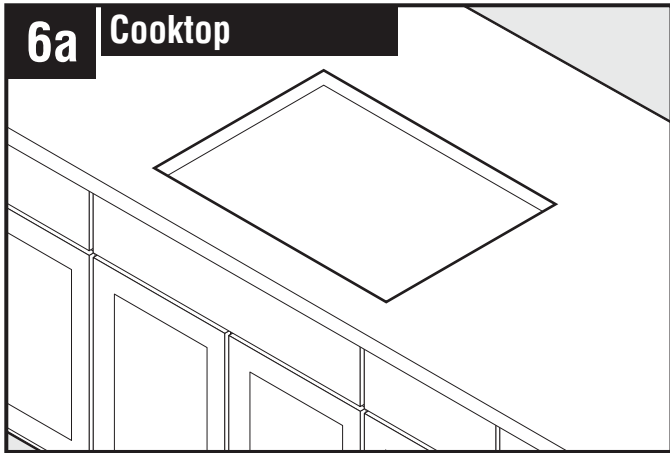


Slide upper support brackets (A, I) into side channels of downdraft (B).

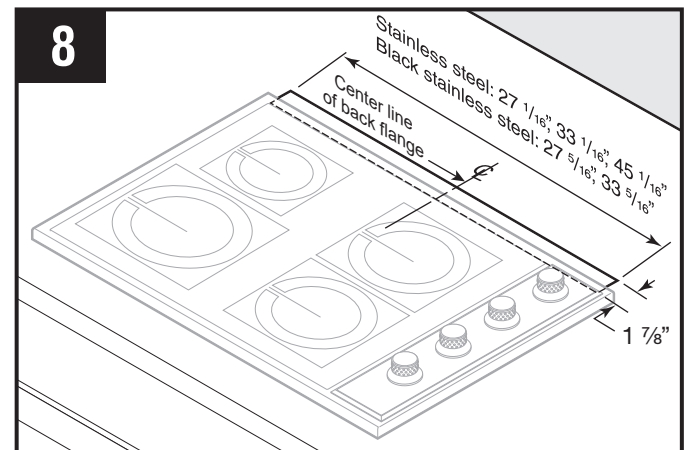
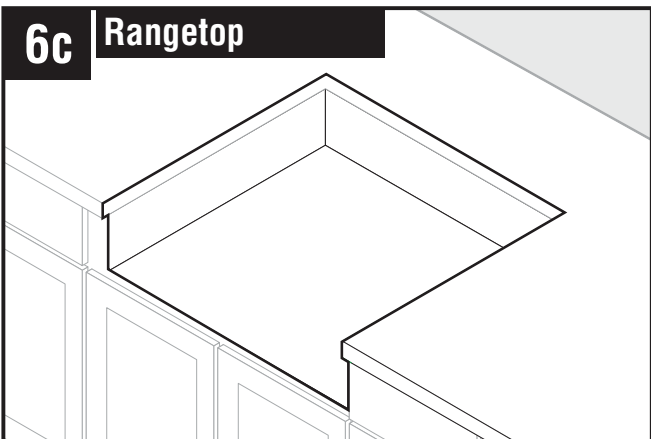


If using flex blower, attach blower support legs with supplied screws.

Cutting Countertop Opening

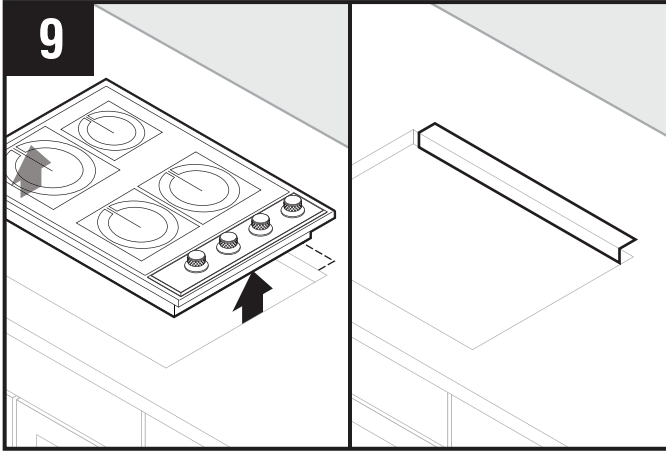


Place appliance.
Note: Cook top shown.



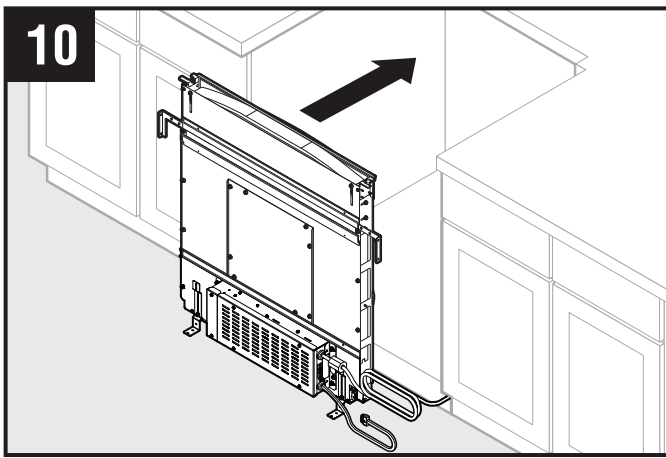
Center template against the back flange of cooktop and mark downdraft opening.

Cutting Counter Top Opening (continued)

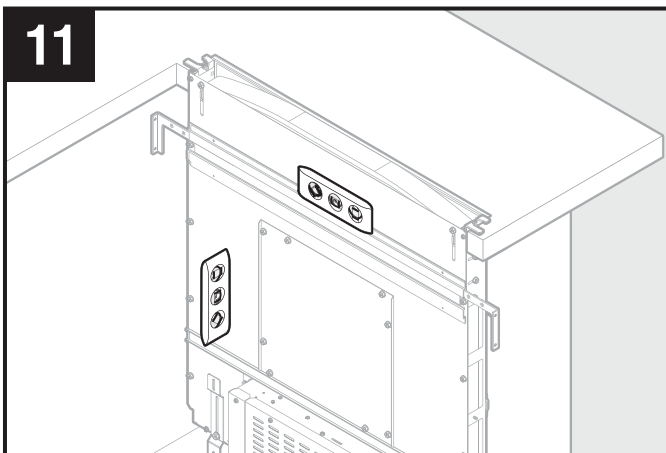


Remove cook top/appliance and cut opening.

Install Housing into Cabinet



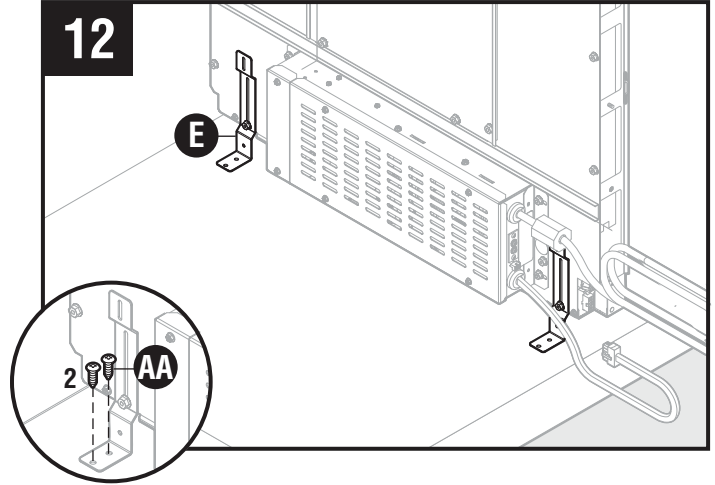
Set housing into cabinet.



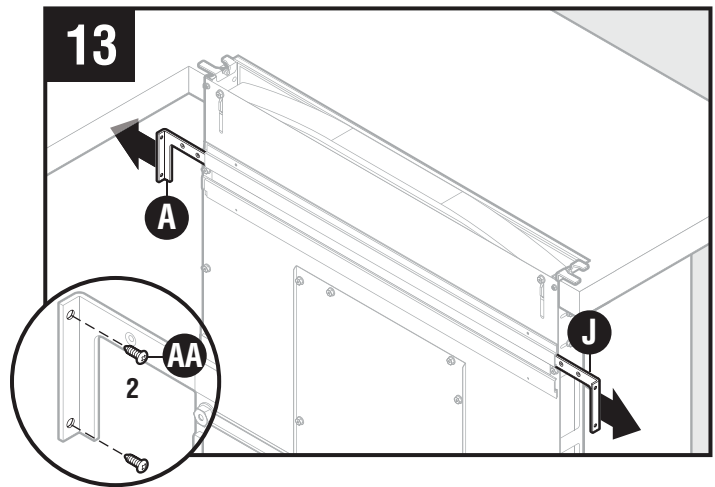
Level housing.

Note: Steps 11-15, right cabinet not shown for clarity.

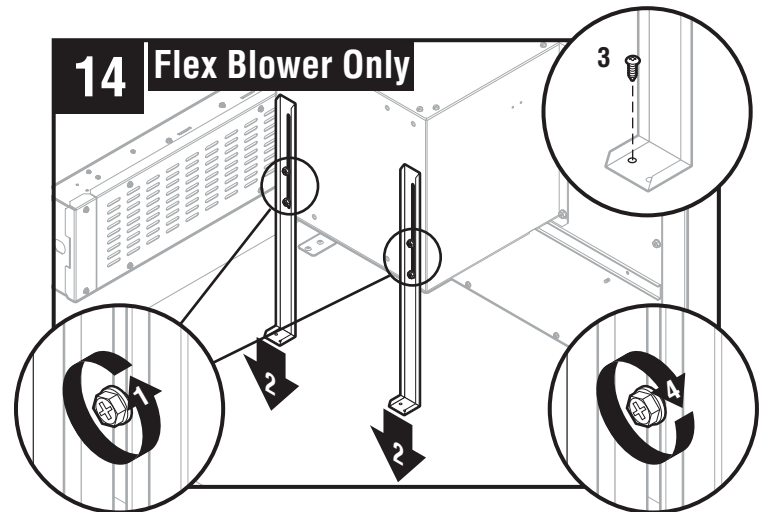
Install Housing into Cabinet



Attach support legs (E) to bottom of cabinet with two screws (AA) per leg. Tighten hex screws. **Note:** If cabinet bottom is removed, use wood blocks as spacers between floor and support legs.

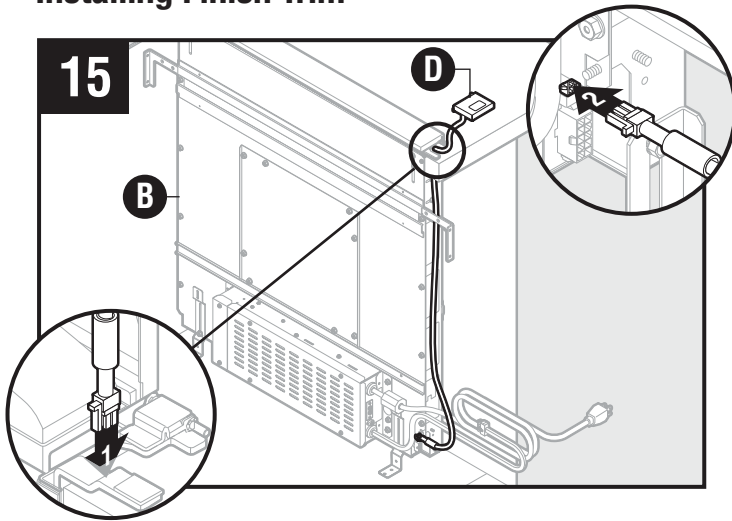


Extend upper support brackets (A and J) and attached to sides of cabinet with two screws (AA) per bracket.



Loosen four screws attaching blower support legs to flex blower. Extend legs and secure to bottom of cabinet with one screw through each bracket. Re-tighten four blower screws.

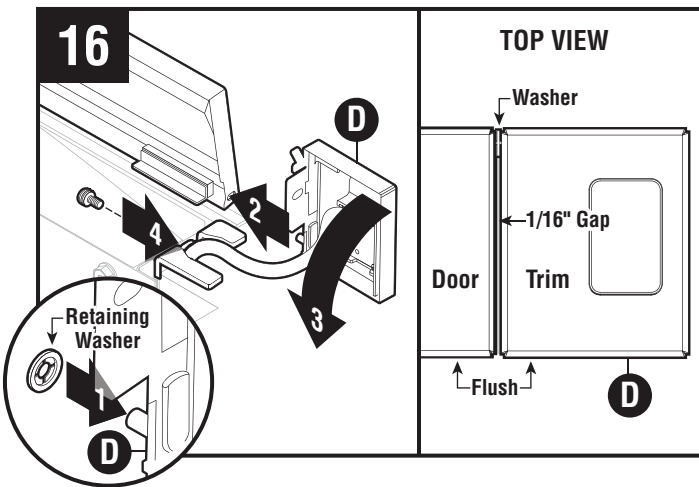
Installing Finish Trim



CAUTION

Only connect or disconnect UP BUTTON CABLE with main power off for at least 60 seconds.

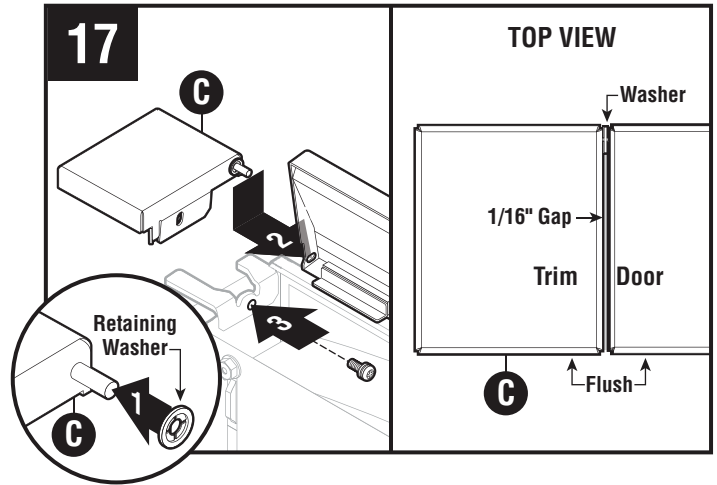
Insert wiring harness from right upper button (D) into opening in side of downdraft (B). Insert upper button (D) wiring harness into receptacle at lower right side of downdraft (B).



Position right trim cap (D) and start screw. Do not fully tighten screw. Place retaining washer on right trim cap. Insert hinge pin into slot of the flip door.

Note: Make sure trim: sits flat on countertop surface, is flush with top door, has 1/16" GAP between trim and top door, and wiring is not pinched.

Installing Finish Trim (continued)



Place retaining washer on left trim cap (C). Insert hinge pin into slot of the flip door. Position left trim cap and flip door. Align trim caps and complete assembly by hand tightening trim cap screws.

Note: Make sure trim sits flat on countertop surface, is flush with top door, and has 1/16" GAP between trim and top door.

Installing Ductwork

CAUTION

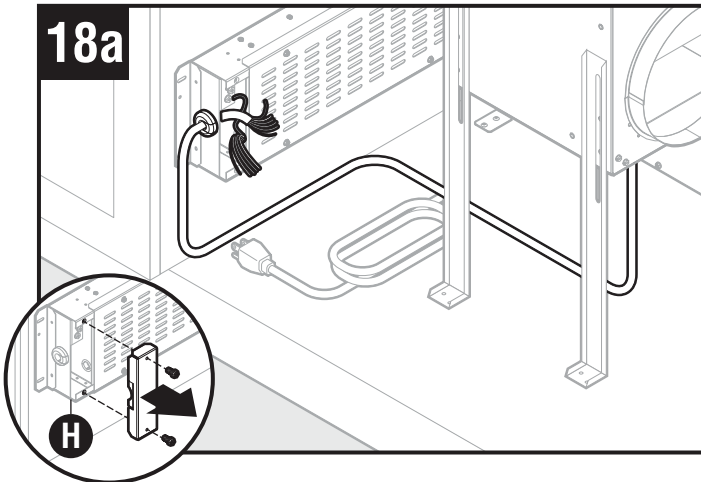
BEFORE CUTTING HOLE IN CABINET FOR DUCTWORK, check for interference with floor joists, wall studs, electrical wiring, or plumbing.

- Refer to Ductwork Configurations in the Planning section of this document.
- Cut hole in cabinet as well as holes in wall or floor as necessary.
- Mount the roof or wall cap and work back towards the cabinet, attaching all ductwork, elbows and transitions as previously planned. Tape all ductwork connections to make them secure and air tight.
- Connect ductwork (and transition, if required) to downdraft.

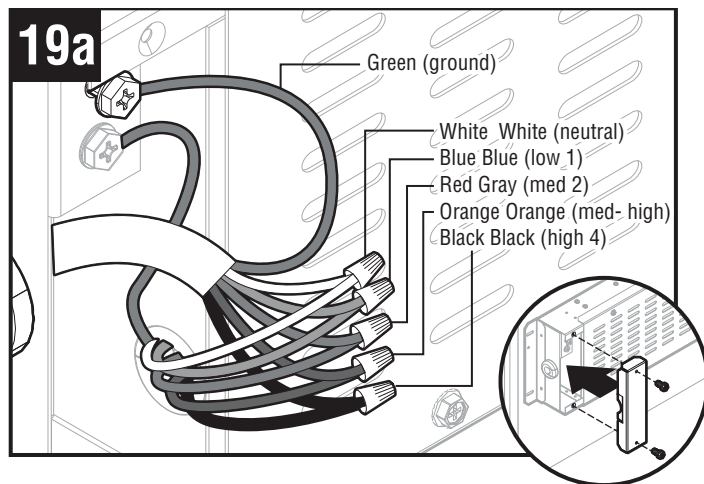
Flex Blower only

CAUTION

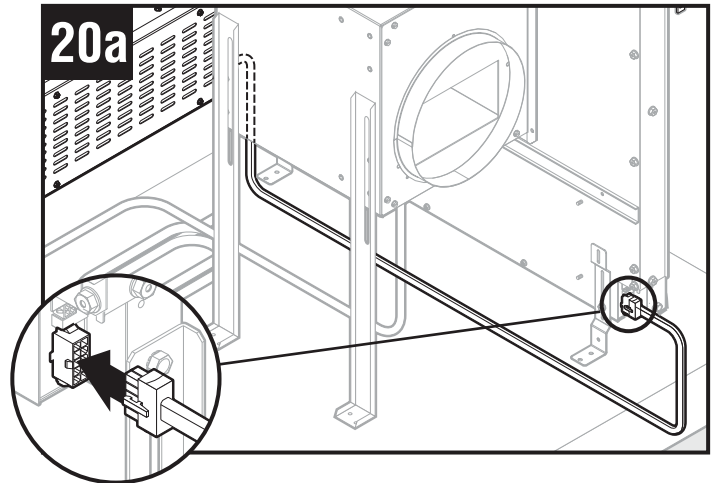
All electrical wiring should be done by a qualified person(s) in accordance with all applicable codes and standards.



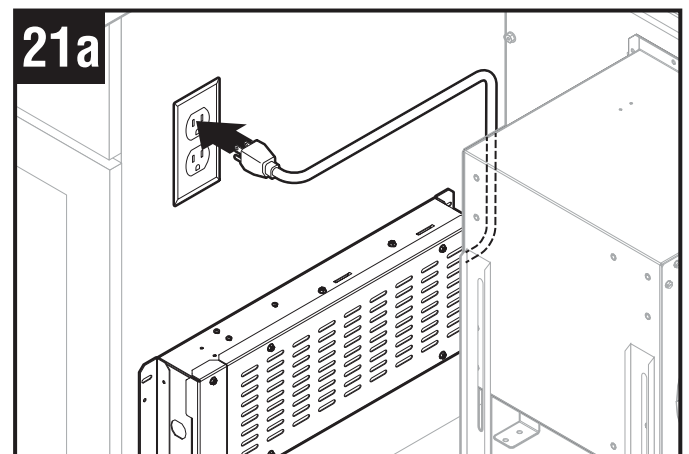
Remove electrical panel (H) cover and route blower wire into wiring box.



Connect blower wires to wires in electrical panel: White to White, Blue to Blue, Red to Gray, Orange to Orange and Black to Black. Connect Green wire to ground screw. Replace electrical panel cover.



Plug electrical panel cable into lower receptacle on side of downdraft.



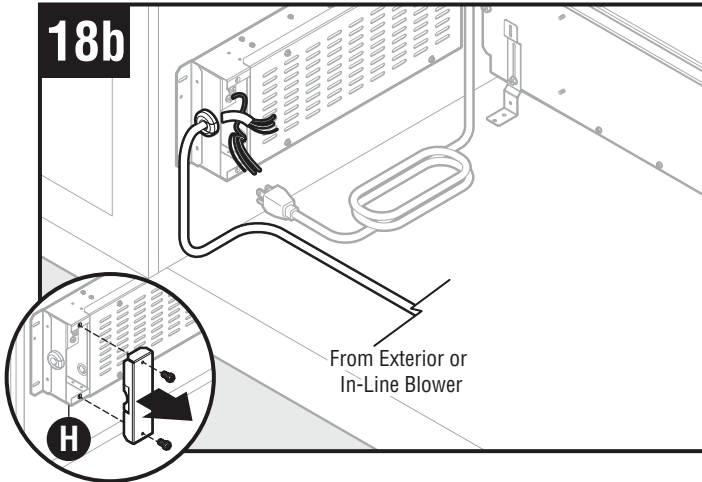
Plug downdraft's power cord into outlet.

Note: Make sure that power cord is routed away from the heat generated by the cooktop.

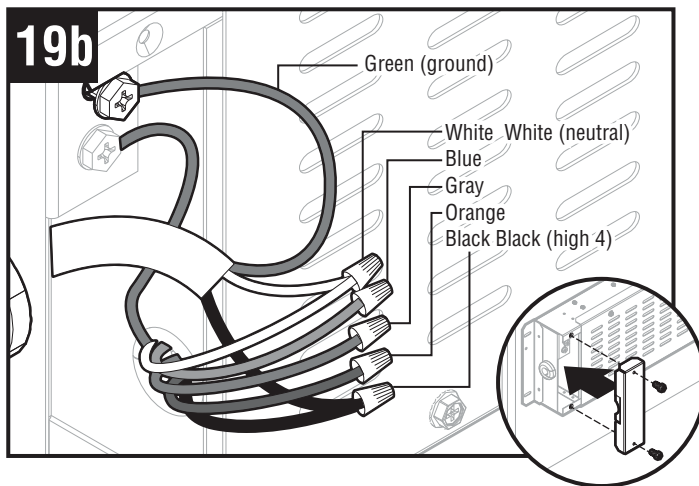
Exterior or In-Line Blower only

CAUTION

All electrical wiring should be done by a qualified person(s) in accordance with all applicable codes and standards.

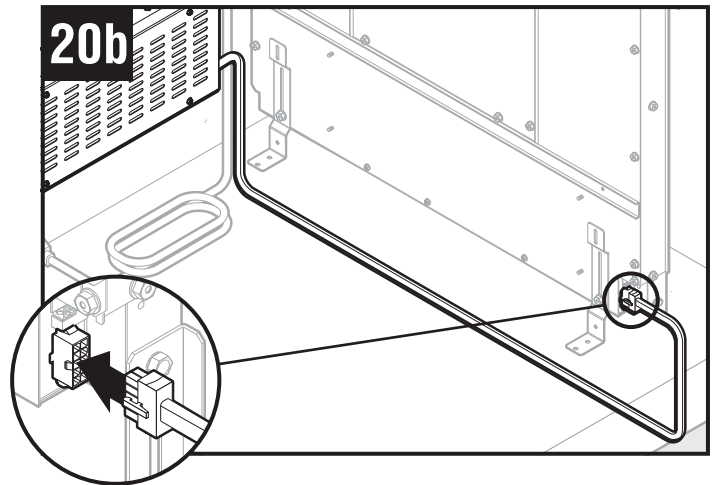


Remove wiring box (H) cover and route blower wire into wiring box.

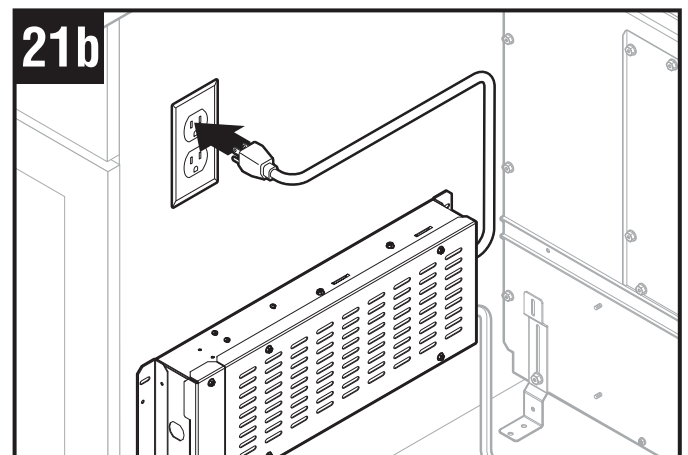


Connect blower wires to wires in wiring box: White to White, Black to Black and Green wire to ground screw. Replace wiring box cover.

Note: Ensure that Blue, Gray and Orange wires are capped off but not connected.



Plug electrical panel cable into lower receptacle as shown.



Plug downdraft's power cord into outlet.

Note: Make sure that power cord is routed away from the heat generated by the cooktop.

Install Cooking Appliance

1. Align the cooking appliance with downdraft and fasten appliance in place following appliance instructions.

Note: Accurate alignment of cooking appliance and downdraft is necessary to ensure that there is no interference when air vent is raised and lowered. There should be a gap of 1/32" - 1/16" between the back of the cooktop and the front of the downdraft cover.

Control Panel and Up Button

2-Level Task Light

- Press once for LOW setting. Top of icon will illuminate.
- Press 2x for HIGH setting. Top and bottom of icon will illuminate.
- Press 3x to turn task light OFF.

4-Speed Fan Speed Control

- Press once for LOW setting. Top-right quadrant of icon will illuminate.
- Press 2x for MEDIUM LOW setting. Top-right and bottom-right quadrants of icon will illuminate.
- Press 3x for MEDIUM HIGH setting. Top-right, bottom-right, and bottom-left quadrants of icon will illuminate.
- Press 4x for HIGH setting. All quadrants of icon will illuminate.
- Press 5x to turn fan OFF.

10-Minute Delay Off

When fan is ON at any speed setting, press delay-off icon to start 10-minute timer. Fan and icon will shut off after 10 minutes. To reset or deactivate delay-off, press icon again.

30-Hour Filter Clean Reminder

- After 30 hours of blower "ON" time, filter clean icon will blink continuously.
- To reset, touch and hold icon for 2 or more seconds. Indicator will turn off.

Down / Retract Chimney

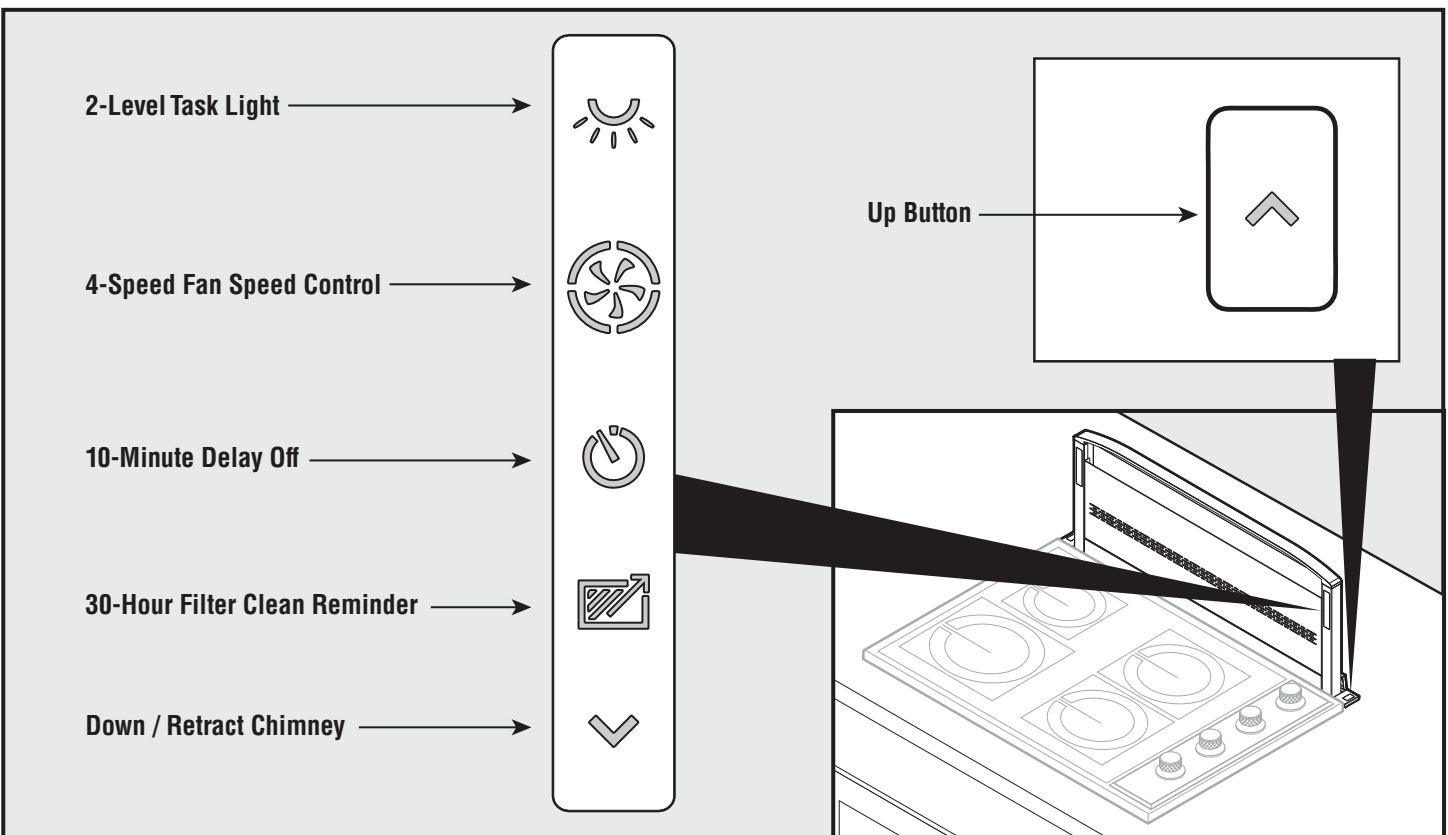
- To retract chimney, touch down button. Any feature that is active will shut off.

Up Button

- Touch up button on right trim to raise chimney. All functions will return to their previous settings.

Heat Sentry

- When the operating temperature is too high, the fan speed will increase to its highest setting to protect sensitive components. The fan icon will blink and cannot be overridden until the temperature reaches an acceptable level. The fan speed will return to the previous setting and the icon will stop blinking.



Cooking

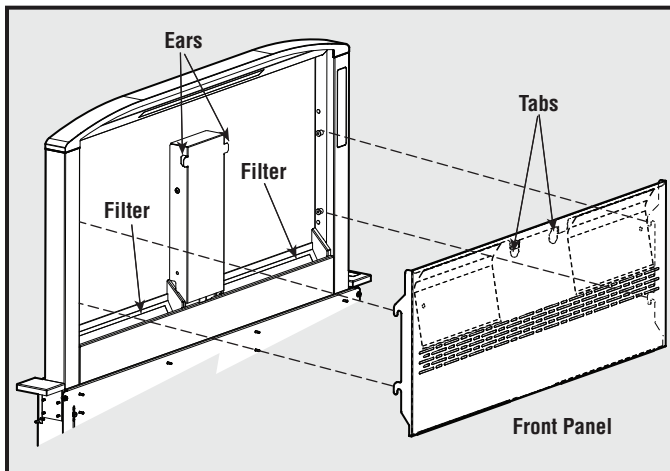
**WARNING**

Always disconnect electric power supply before cleaning and/or servicing unit.

Always turn the downdraft blower on before you begin cooking to establish an air flow in the kitchen. Let the blower run for a few minutes to clean the air after you turn the cooktop off. This will keep the whole kitchen cleaner and brighter.

It is recommended to use the rear burners when cooking with tall pots or when the cooking method will generate high amounts of smoke or steam. The combination of using the rear burners and operating the unit at high speed will increase the likelihood that all the smoke and steam will be removed by the downdraft.

Cleaning

**CAUTION**

Failure to engage tabs properly may cause chimney to jam and fail to raise up.

To Clean grease filters:

Lift FRONT PANEL up and out and take out the **GREASE FILTERS**. The grease filters should be cleaned frequently. Use a warm dishwashing detergent solution. Grease filters are dishwasher safe. Clean all-metal filters in the dishwasher using a non-phosphate detergent. Discoloration of the filters may occur if using phosphate detergents, or as a result of local water conditions - but this will not affect filter performance. This discoloration is not covered by the warranty. To minimize or prevent discoloration, hand wash filters using a mild detergent. Replace filters and front panel before using downdraft.

Be sure to engage **TABS** on front panel behind **EARS** as shown.

**CAUTION**

Failure to engage tabs properly may cause chimney to jam and fail to raise up.

To clean inside chimney:

Lift FRONT PANEL up and out and take out the **GREASE FILTERS**. Use a mild detergent. **DO NOT USE ABRASIVE CLOTH, STEEL WOOL PADS, OR SCOURING POWDERS**. Replace filters and front panel before using downdraft.

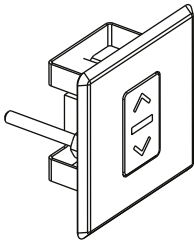

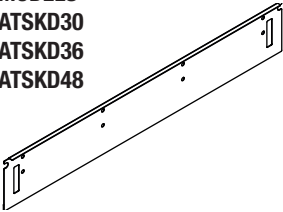
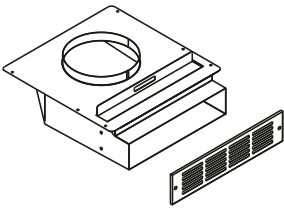
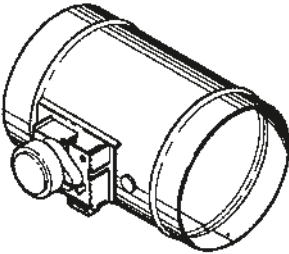
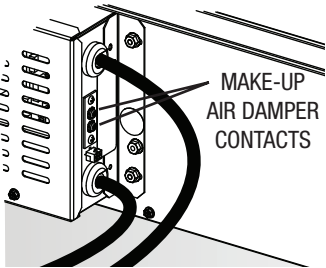
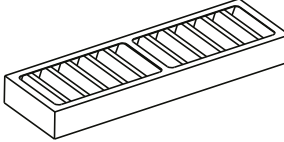
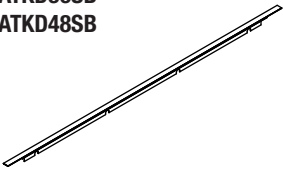
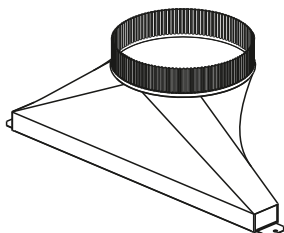
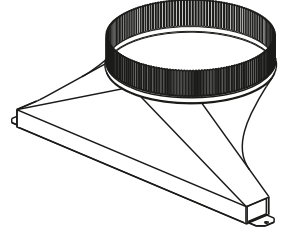
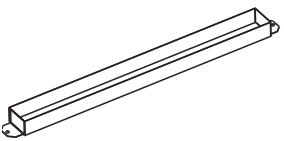
Be sure to engage **TABS** on front panel behind **EARS** as shown.

Servicing

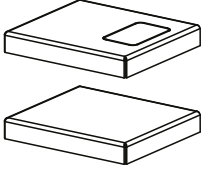
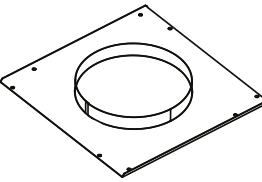
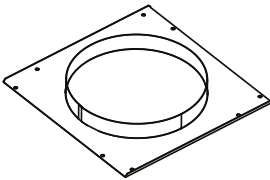
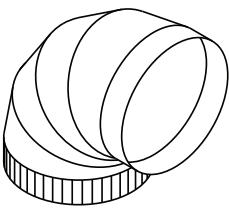
It may be necessary to remove the downdraft blower system from the cabinet in order to service components such as the blower motor or air vent mechanism.

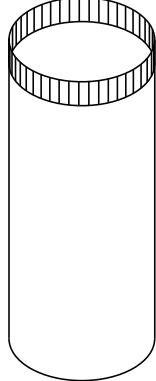
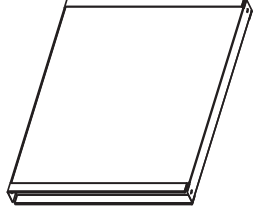
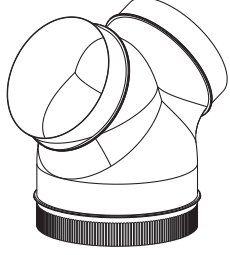
Disconnect power to the cooktop and remove it first. Reverse the steps under "INSTALL HOUSING INTO CABINET" to remove the downdraft from the cabinet.

Optional Accessories

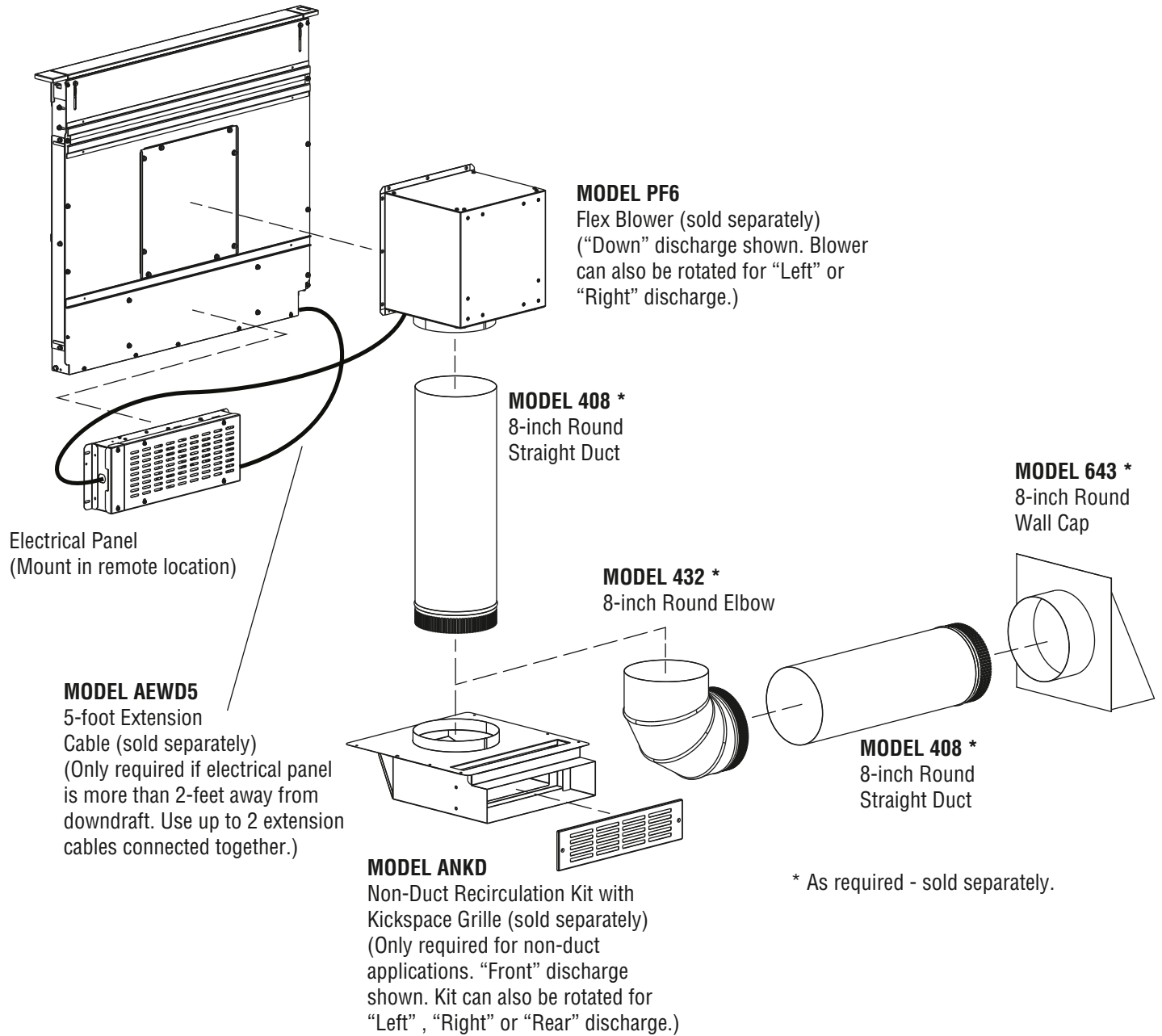
Accessory	Description	Accessory	Description
MODELS ACRD ACRDBLS 	REMOTE UP/DOWN CONTROL Use when you cannot reach the UP/DOWN Button on the downdraft chimney. Can be located on counter top, face of cabinetry or on the side cabinet of an island. Cut-out size: 2 1/4" H x 2" W. Cannot be used where remote control will interfere with cooking, where hot pans could be set, or where hot liquids could be spilled on the control. (Remote wiring connects with 6-pin connection)	MODEL AEWD5 	EXTENSION CABLE - 5-FT. Use where electrical panel is remotely mounted. Extends electrical panel cable an additional 5 feet.
MODELS ATSKD30 ATSKD36 ATSKD48 	GAS COOKTOP SEAL KIT Recommended for use with all gas cooktops. Includes trim bracket and trim seal. 30", 36" & 48" widths.	MODEL ANKD 	NON-DUCT RECIRCULATING KIT Use where ducting is not feasible or available. Mount to toe kick or base of a cabinet and attach directly to Model PF6 Flex Blower using 8" round duct. Kit can be rotated so that the exhaust is not directly at your feet. Includes recirculation filter and decorative cover plate.
MODELS MD6T MD8T MD10T 	MAKE-UP AIR DAMPER Use to provide make-up air (when called for) to keep the home comfortable by allowing the downdraft to operate at optimum levels. Directwire design works with select BEST® downdrafts to balance indoor air pressure by providing interlocked make-up air; damper opens automatically when the range hood is activated. 8" & 10" round diameters. Connects to 2 CONTACTS on ELECTRICAL PANEL. 	MODEL AFCD 	RECIRCULATION FILTER REPLACEMENT Replacement filter for ANKD Non-Duct Recirculating Kit. Use to effectively capture cooking contaminants.
MODELS ATKD30SB ATKD36SB ATKD48SB 	RANGE TRIM KIT Use with free-standing range - where a gap is present between back of range and downdraft. 30", 36" & 48" widths.	MODEL AVDKD8 	1-7/8" X 19" TO 8" ROUND TRANSITION Rectangular to 8" round transition for left, right, or rear exhaust - using Model PF6 Flex Blower. Can be attached to downdraft unit or rectangular duct (AEDD2). Includes S-clips for easy, secure attachment.
		MODEL AVDKD10 	1-7/8" X 19" TO 10" ROUND TRANSITION Rectangular to 10" round transition for left, right, or rear exhaust - using external blower. Can be attached to downdraft unit or rectangular duct (AEDD2).
		MODEL AVDKD219 	RECTANGULAR ADAPTER FOR 1-7/8" X 19" Use to connect 1-7/8" x 19" rectangular duct directly to downdraft when using side, below or rear exhaust.

Optional Accessories (continued)

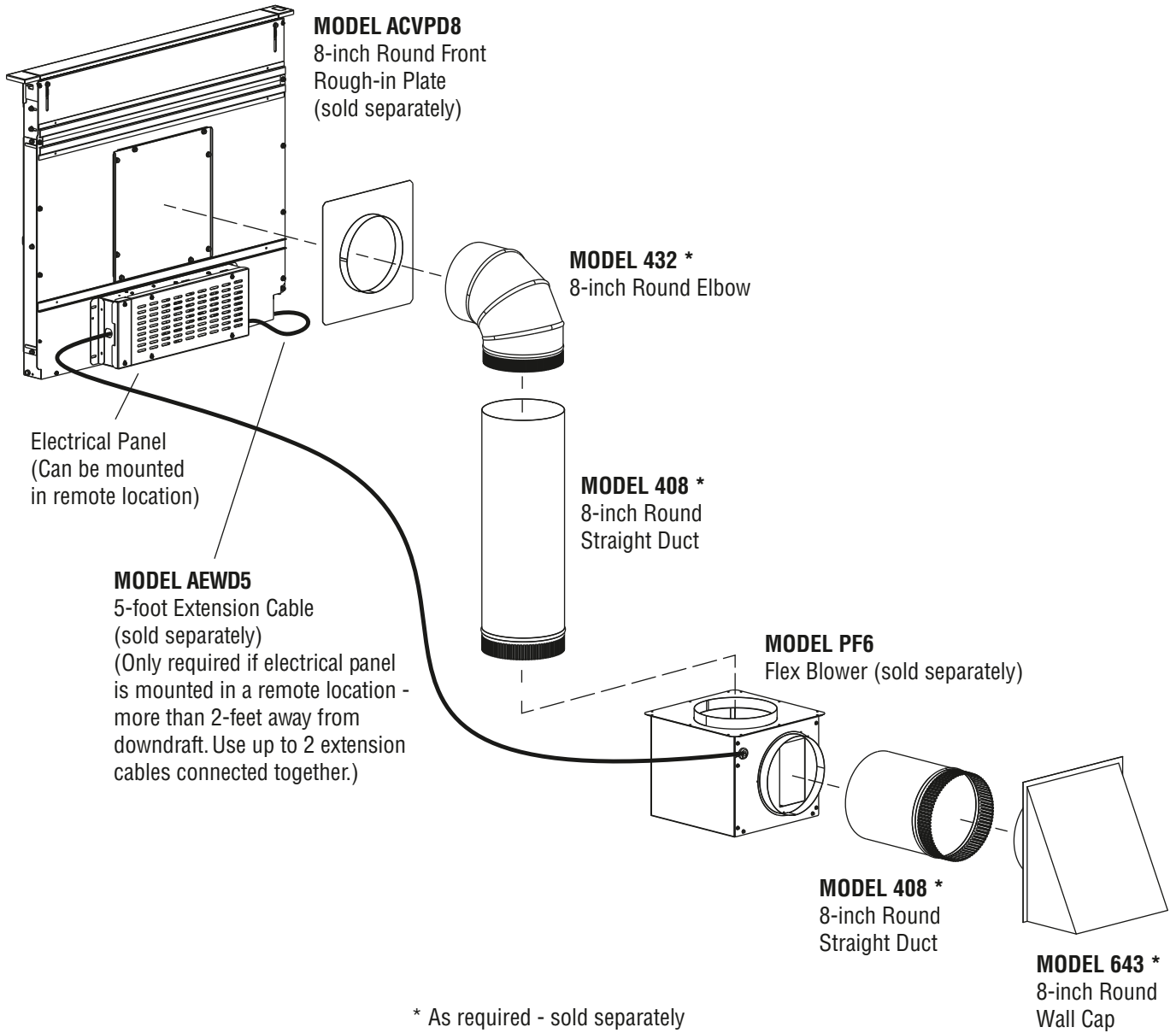
Accessory	Description
MODELS ATTD1 ATTD1BLS 	END CAP TRIM EXTENSION +1" WIDTH - LH & RH Use left and right to increase the overall trim width by 1".
MODEL ACVPD8 	FRONT PANEL ROUGH-IN PLATE - 8" ROUND Use where 8" round duct or elbow attaches to front of airbox (Model PF6 remote blower installation).
MODEL ACVPD10 	FRONT PANEL ROUGH-IN PLATE - 10" ROUND Use where 10" round duct or elbow attaches to front of airbox (exterior or in-line blower installation).
MODEL 432 - 8" RD. MODEL 418 - 10" RD. 	90° DUCTWORK ELBOW Adjustable from straight to 90°. Galvanized steel construction.

Accessory	Description
MODEL 408 - 8" RD. MODEL 410 - 10" RD. 	STRAIGHT ROUND DUCT - 2-FT. Galvanized steel construction.
MODEL AEDD2 	RECTANGULAR DUCT - 2-FT. SECTIONS (1-7/8" X 19") Galvanized steel construction.
MODEL AVDKD8810 	TRANSITION "Y" (2) - 8" ROUND TO (1) - 10" ROUND Galvanized steel construction.

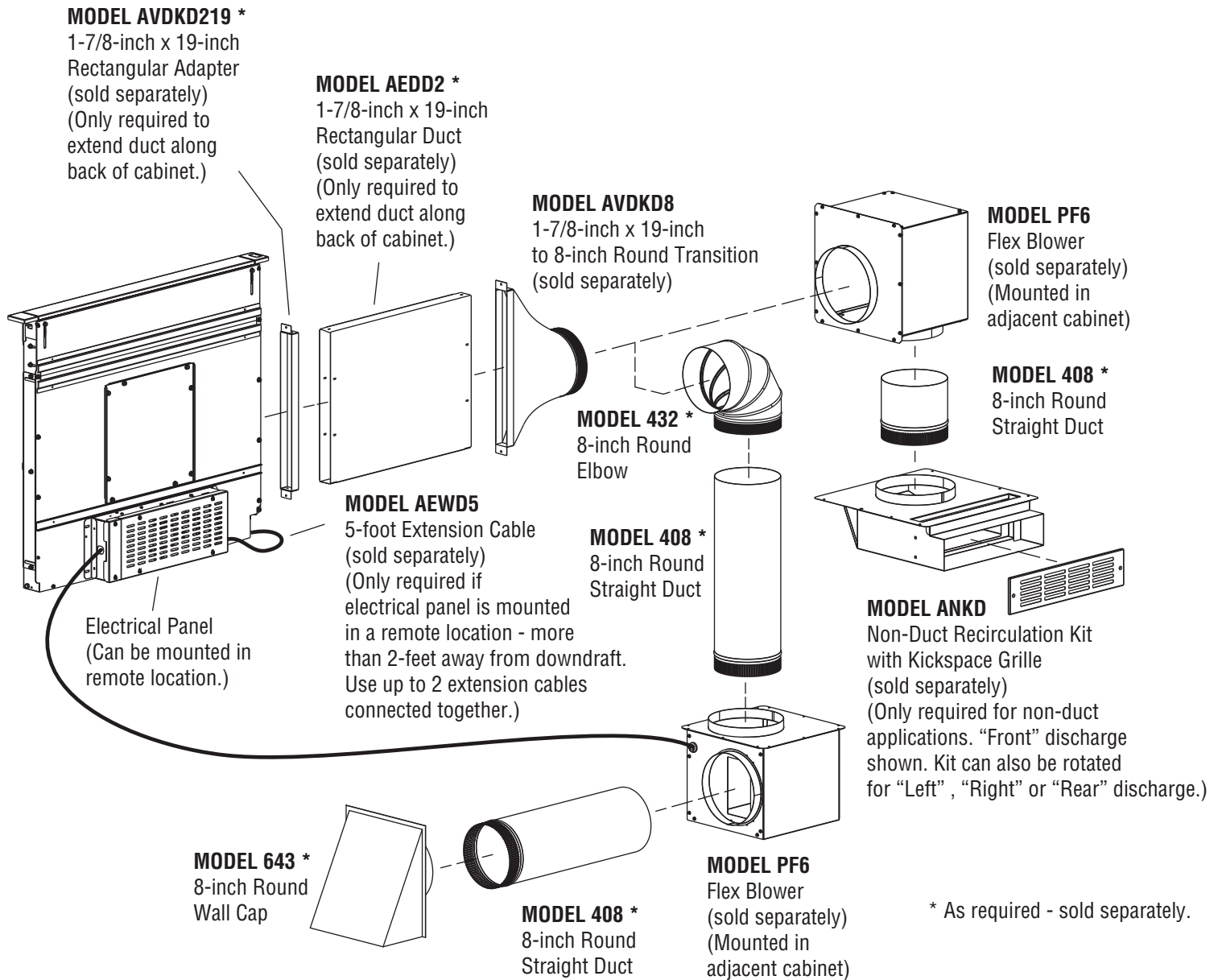
Internal Blower (PF6) – Front Mounted to Downdraft



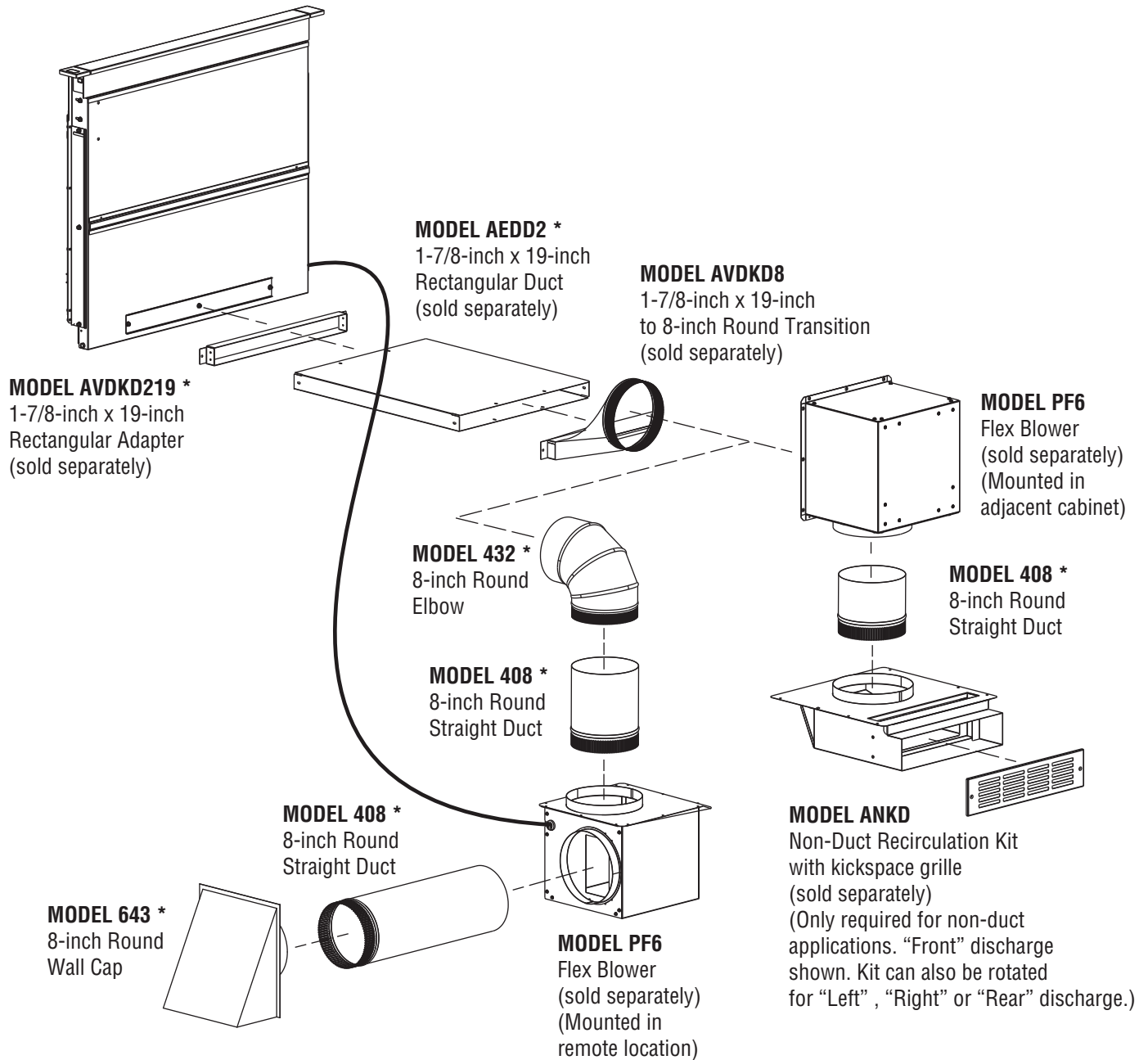
Internal Blower (PF6) – Remote Mounted – Front Outlet



Internal Blower (Pf6) – Remote Mounted – Side Outlet

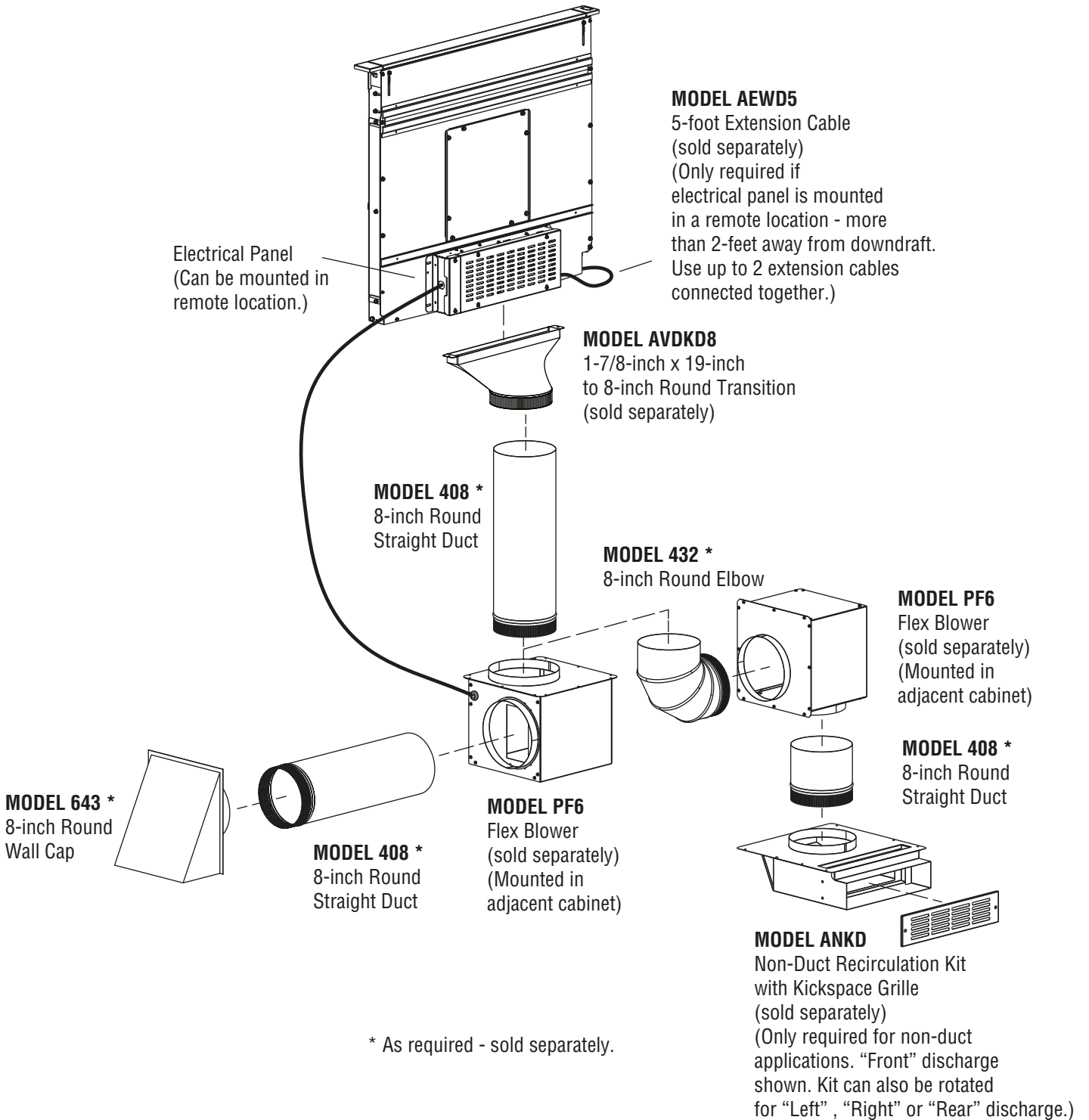


Internal Blower (Pf6) – Remote Mounted – Rear Outlet

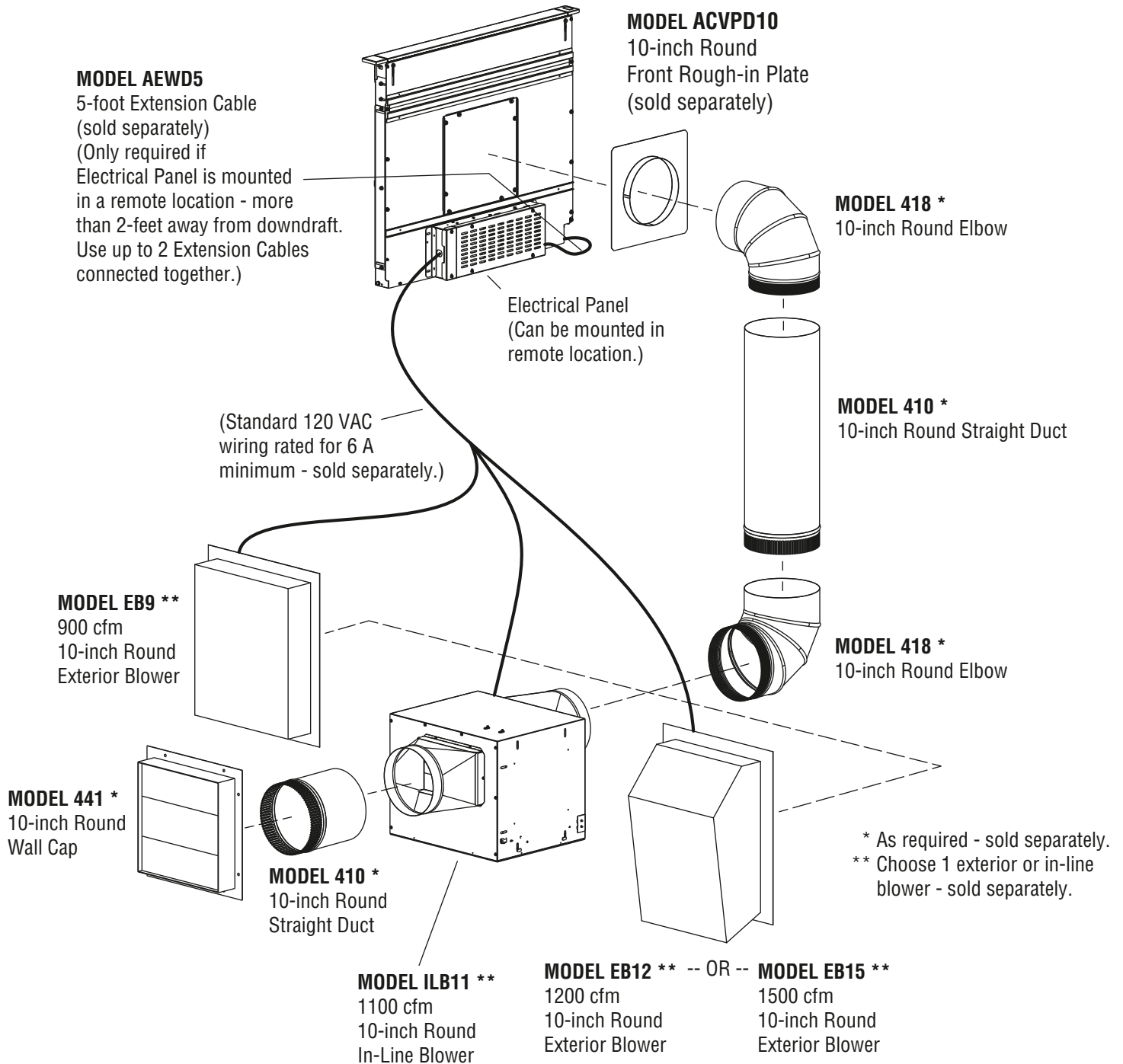


* As required - sold separately.

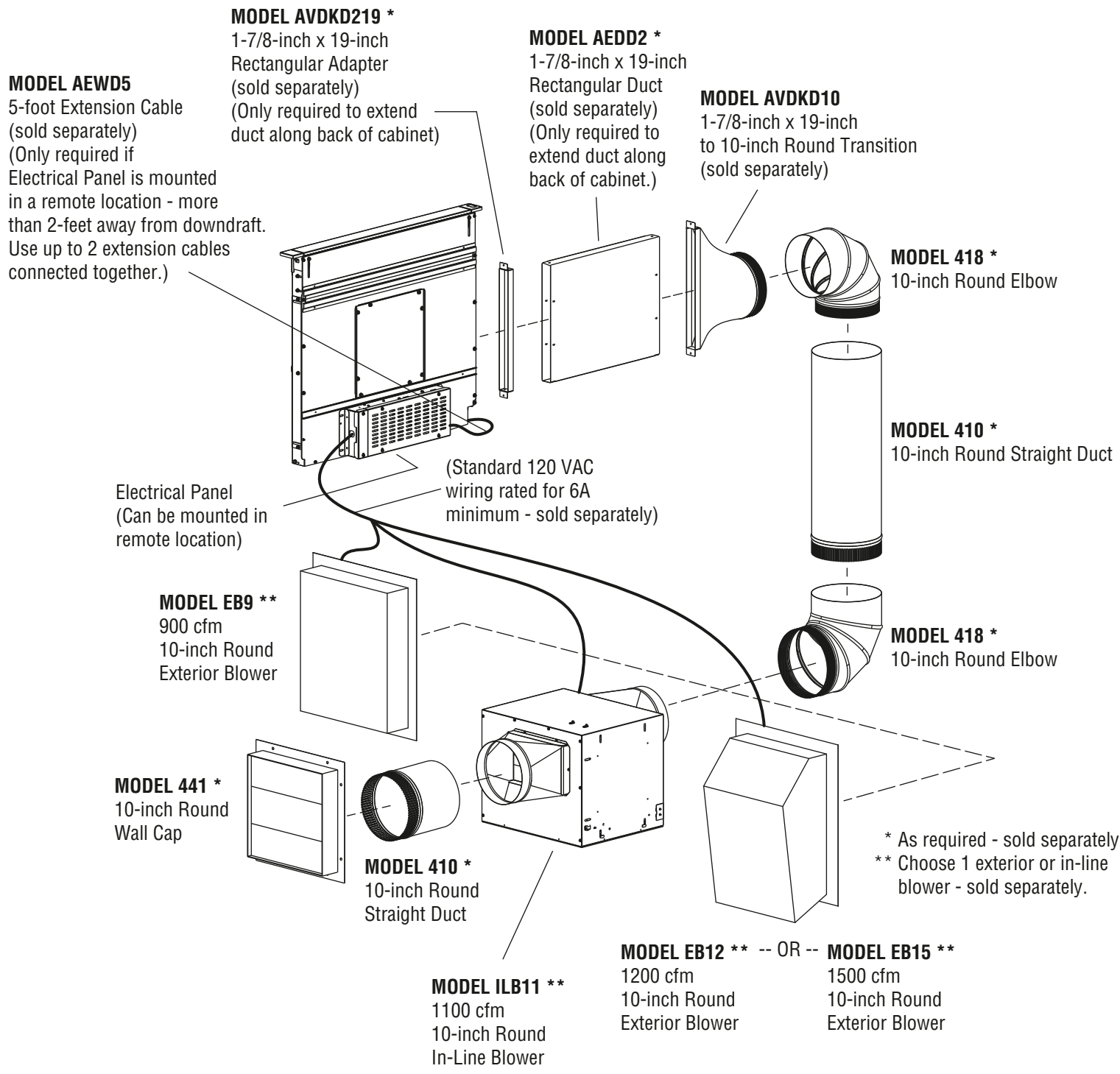
Internal Blower (Pf6) – Remote Mounted – Below Outlet



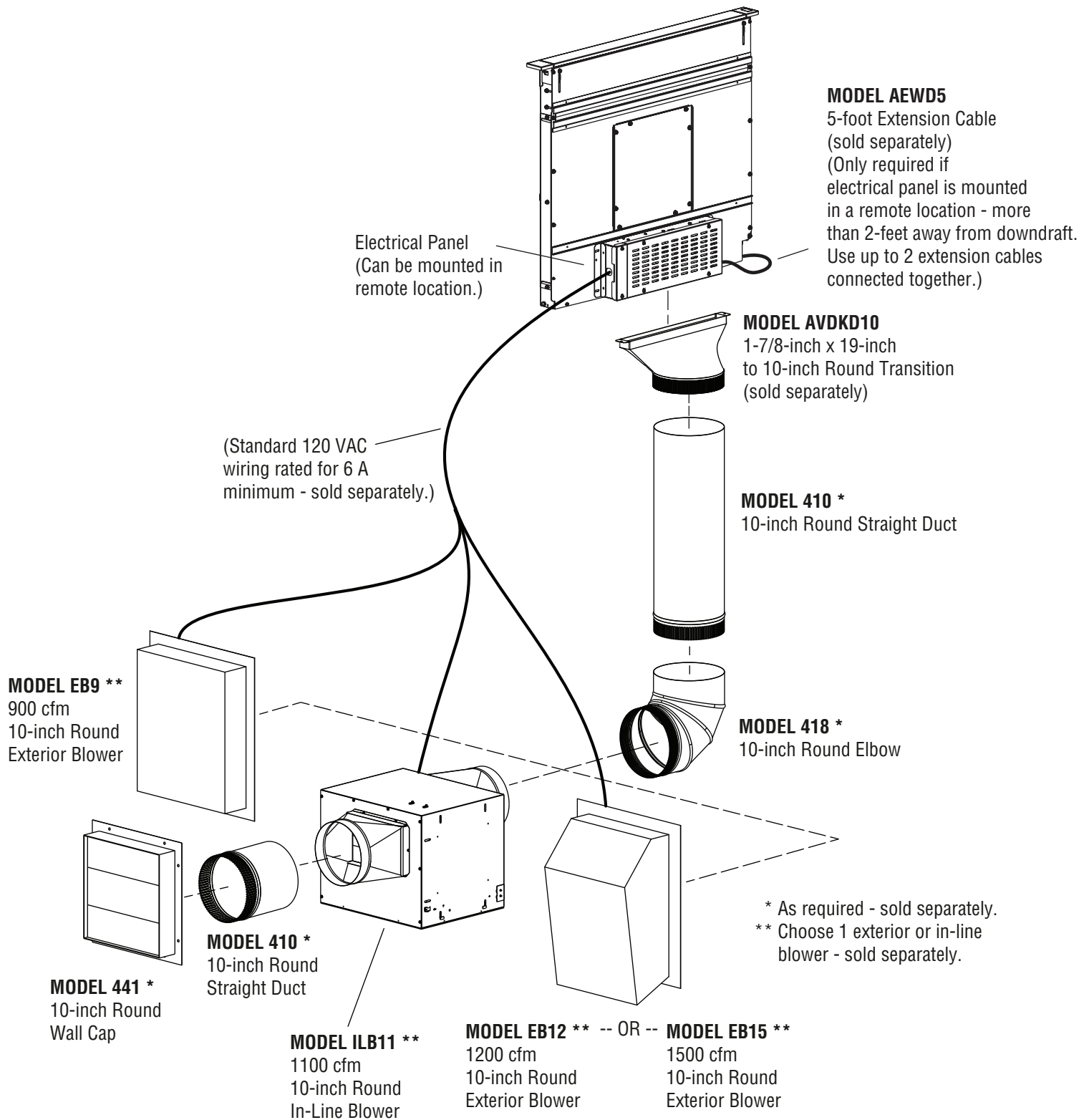
Exterior or In-Line Blower – Front Outlet



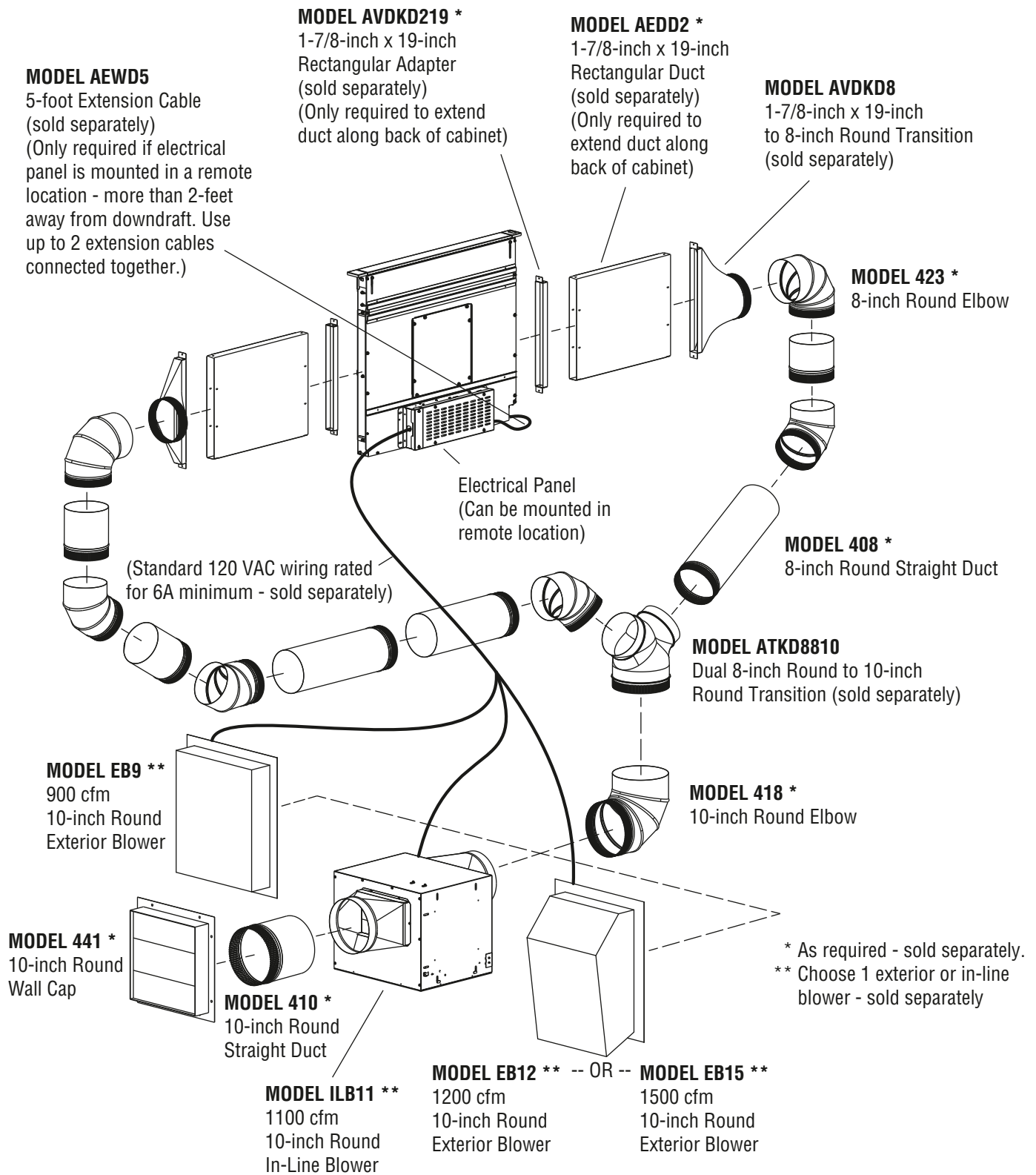
Exterior or In-Line Blower – Side or Rear Outlet



Exterior or In-Line Blower – Below Outlet



Exterior or In-Line Blower – Dual Duct – Side Outlets



FIVE-YEAR LIMITED WARRANTY FOR BEST® PRODUCTS

Limited Warranty

Warranty Period and Exclusions: Broan-NuTone, LLC (the “Company”) warrants to the consumer purchaser of its product (“you”) that the product (the “Product”) will be free from material defects in the materials or its workmanship for a period of five (5) years from the date of original purchase (or such longer period as may be required by applicable law) or a period of two (2) years from the date of service for any labor provided on the Product.

The limited warranty period for any replacement parts provided by the Company and for any Products repaired or replaced under this limited warranty shall be the remainder of the original warranty period (or such longer period as may be required by applicable law).

THIS WARRANTY DOES NOT EXTEND TO FLUORESCENT LAMP STARTERS, TUBES AND BULBS, FUSES, FILTERS, DUCTS, ROOF CAPS, WALL CAPS AND OTHER ACCESSORIES FOR DUCTING. This warranty does not cover (a) normal maintenance and service, (b) normal wear and tear, (c) any Products or parts which have been subject to misuse, abuse, abnormal usage, negligence, accident, improper or insufficient maintenance, storage or repair (other than repair by the Company), (d) damage caused by faulty installation, or installation or use contrary to recommendations or instructions, (f) damage caused by exposure to salt air, (g) damage in transit, (h) natural wear of finish, (i) Products in commercial or nonresidential use, (j) damage caused by fire, flood or other act of God, or (k) Products with altered, defaced or removed serial numbers. This warranty covers only Products sold to consumers in North America.

This warranty supersedes all prior warranties and, subject to applicable law, is not transferable from the original consumer purchaser.

No Other Warranties: This Limited Warranty contains the Company’s sole obligation and your sole remedy for defective Products. The foregoing warranties are exclusive and in lieu of any other warranties and conditions, express or implied. **TO THE MAXIMUM EXTENT PERMITTED BY APPLICABLE LAW, THE COMPANY DISCLAIMS AND EXCLUDES ALL OTHER EXPRESS WARRANTIES AND CONDITIONS, AND DISCLAIMS AND EXCLUDES ALL WARRANTIES AND CONDITIONS IMPLIED BY LAW, INCLUDING WITHOUT LIMITATION THOSE OF MERCHANTABILITY AND FITNESS FOR A PARTICULAR PURPOSE.** To the extent that applicable law prohibits the exclusion of implied warranties or conditions, the duration of any applicable implied warranty or condition is limited to the period specified for the express warranty above. Some jurisdictions (which may include the Province of Quebec or specific US states) do not allow limitations on how long an implied warranty lasts, so the above limitation may not apply to you. Any oral or written description of the Product is for the sole purpose of identifying it and shall not be construed as an express warranty.

Whenever possible, each provision of this Limited Warranty shall be interpreted in such manner as to be effective and valid under applicable law, but if any provision is held to be prohibited or invalid, such provision shall be ineffective only to the extent of such prohibition or invalidity, without invalidating the remainder of such provision or the other remaining provisions of the Limited Warranty.

Remedy: During the applicable limited warranty period, the Company will, at its option, provide replacement parts for, or repair or replace, without charge, any Product or part thereof, to the extent the Company finds it to be covered by and in breach of this limited warranty under normal use and service. The Company will ship the repaired or replaced Product or replacement parts to you at no charge. You are responsible for all costs for removal, reinstallation and shipping, insurance or other freight charges incurred in the shipment of the Product or part to the Company. If you must send the Product or part to the Company, as instructed by the Company, you must properly pack the Product or part—the

Company is not responsible for damage in transit. The Company reserves the right to utilize reconditioned, refurbished, repaired or remanufactured Products or parts in the warranty repair or replacement process. Such Products and parts will be comparable in function and performance to an original Product or part and warranted for the remainder of the original warranty period (or such longer period as may be required by applicable law).

Company reserves the right, in its sole discretion, to refund the money actually paid by you for the Product. If the Product or component is no longer available, replacement may be made with a similar product of equal or greater value, at Company’s sole discretion. This is your sole and exclusive remedy for breach of this limited warranty.

Exclusion of Damages: THE COMPANY’S OBLIGATION TO PROVIDE REPLACEMENT PARTS, OR REPAIR OR REPLACE, AT THE COMPANY’S OPTION, SHALL BE YOUR SOLE AND EXCLUSIVE REMEDY UNDER THIS LIMITED WARRANTY AND THE COMPANY’S SOLE AND EXCLUSIVE OBLIGATION. THE COMPANY SHALL NOT BE LIABLE FOR INCIDENTAL, INDIRECT, CONSEQUENTIAL OR SPECIAL DAMAGES ARISING OUT OF OR IN CONNECTION WITH THE PRODUCT, ITS USE OR PERFORMANCE.

Some jurisdictions do not allow the exclusion or limitation of incidental or consequential damages, so the above limitation or exclusion may not apply to you. This warranty gives you specific legal rights, and you may also have other rights, which vary from jurisdiction to jurisdiction. The disclaimers, exclusions, and limitations of liability under this warranty will not apply to the extent prohibited by applicable law. This warranty covers only replacement or repair of defective Products or parts thereof at the Company’s main facility and does not include the cost of field service travel and living expenses.

Any assistance the Company provides to or procures for you outside the terms, limitations or exclusions of this limited warranty will not constitute a waiver of such terms, limitations or exclusions, nor will such assistance extend or revive the warranty.

The Company will not reimburse you for any expenses incurred by you in repairing or replacing any defective Product, except for those incurred with the Company’s prior written permission.

How to Obtain Warranty Service: To qualify for warranty service, you must (a) notify the Company at the address or telephone number stated below within seven (7) days of discovering the covered defect, (b) give the model number and part identification and (c) describe the nature of any defect in the Product or part. At the time of requesting warranty service, you must present evidence of the original purchase date. If you cannot provide a copy of the original written limited warranty, then the terms of the Company’s most current written limited warranty for your particular product will control.

PRODUCT SPECIFICATIONS

All illustrations and specifications in this catalog are based on the latest product information available at time of production. Broan-NuTone, LLC and BEST® reserves the right to make changes at any time, without notice, in prices, colors, materials, equipment, specifications and models, place of manufacture and to discontinue models or equipment.

Best

Broan-NuTone, LLC- 926 W. State Street, Hartford, WI 53207

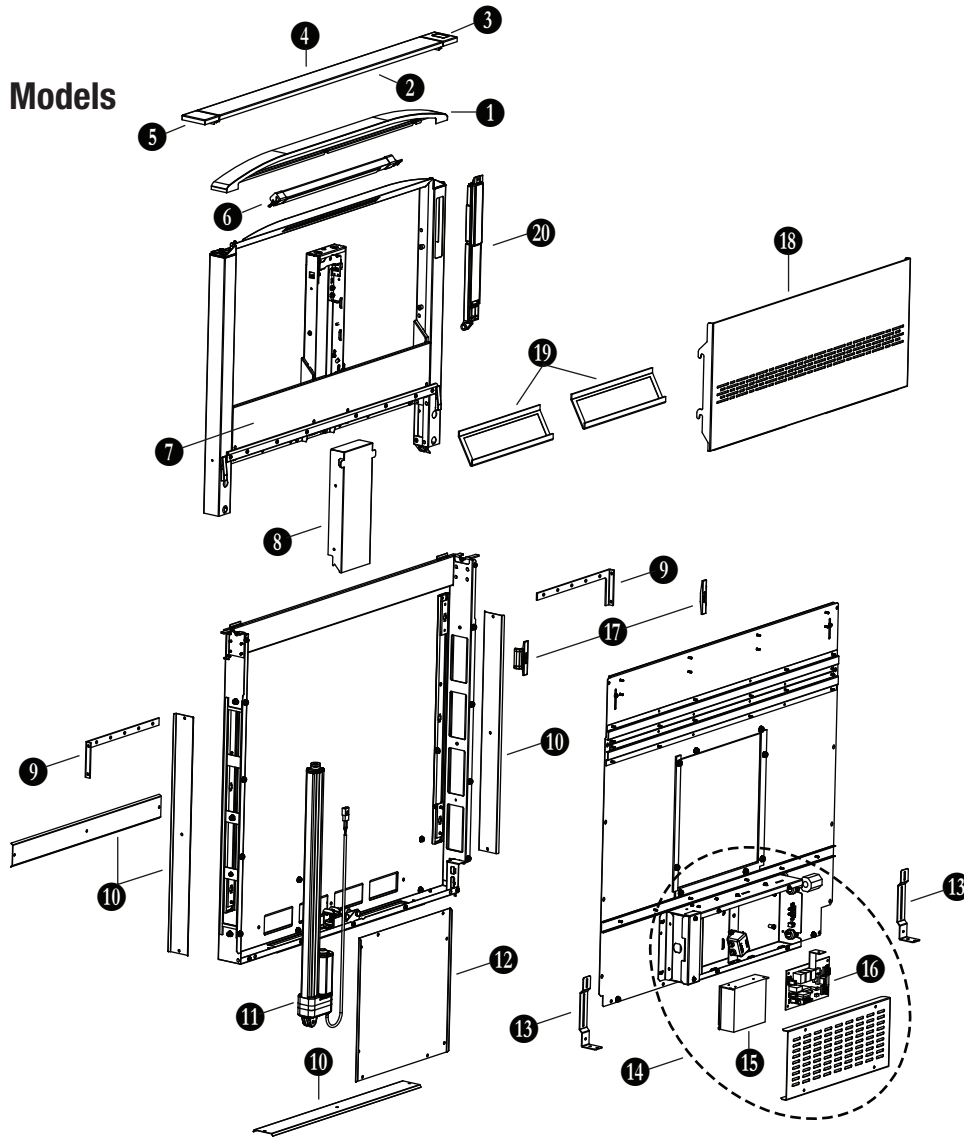
1-800-637-1453

Best®, 550 Lemire Blvd., Drummondville, QC, Canada (1-866-737-7770)

www.bestrangehoods.com

Service Parts

Stainless Steel Models

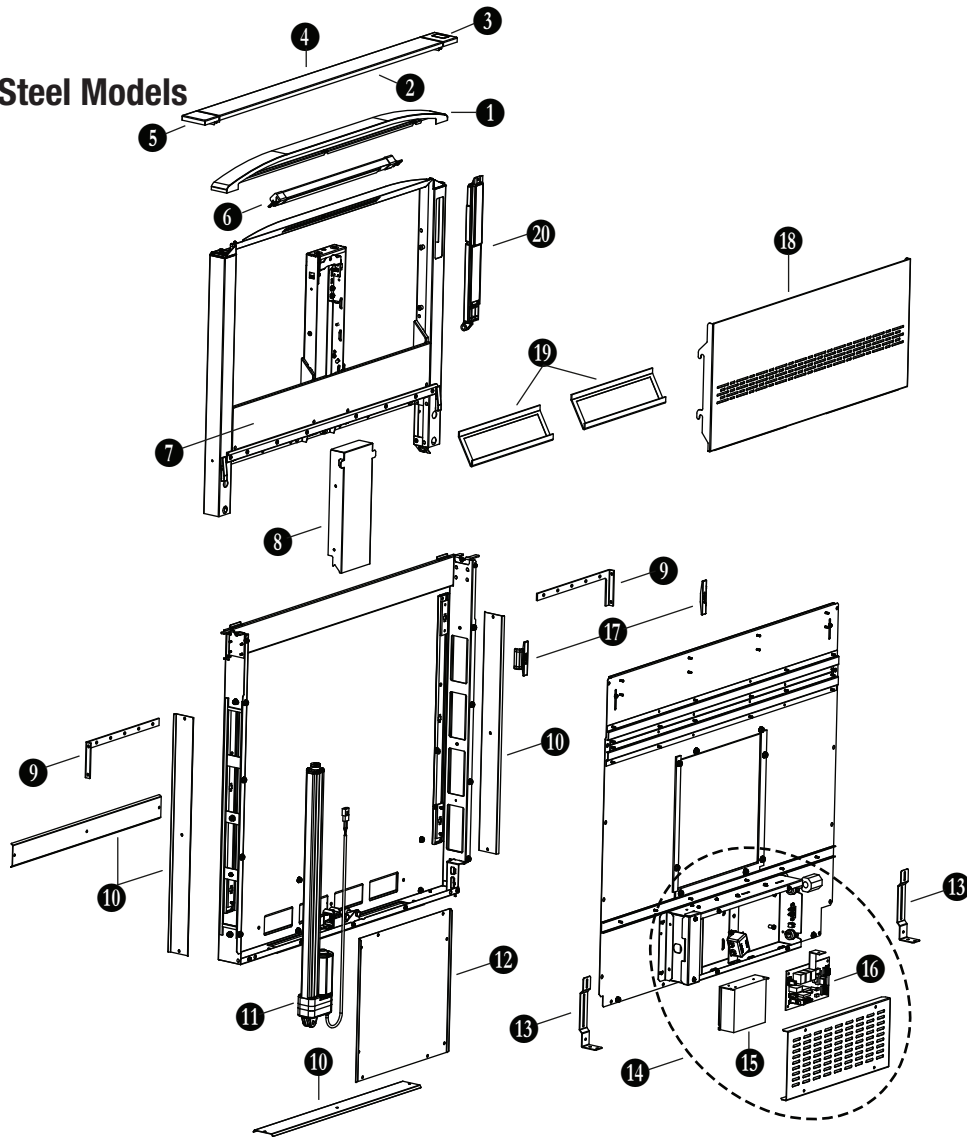


Key No.	30" Width	36" Width	48" Width	Description
1	S97021277-001	S97021277-002	S97021277-004	Top Cap Ass'y Best
2	S97020367	S97020367	S97020367	Felt
3	S97021274	S97021274	S97021274	Door Ass'y Cover (Right) with Up Button
4	S97019636	S97019637	S97019638	Door Ass'y (Includes Door Ass'y Hardware Kit)
*	S97021101	S97021101	S97021101	Door Assembly Hardware Kit
5	S97021069	S97021069	S9702109	Door Ass'y Cover (Left)
6	S99271515	S99271516	S99271517	LED Light Bar
7	S97019874	S97019875	S97019877	Chimney Seal
8	S98012028-B01	S98012028-B01	S98012028-B01	Lift Guide Cover
9	S97020361	S97020361	S97020361	Angle Brackets (Left & Right)
10	S98011659	S98011659	S98011659	Vent Cover

Key No.	30" Width	36" Width	48" Width	Description
11	S99271616	S99271616	S99271616	Actuator
12	S98011668	S98011668	S98011668	Airbox Hole Cover
13	S98012061	S98012061	S98012061	Legs (Set of 2)
14	S97019584	S97019584	S97019584	Electrical Box Ass'y (Includes Key Nos. 15 & 16)
15	S99271512	S99271512	S99271512	Power Supply
16	S99271573	S99271573	S99271573	Main PCB
*	S97020368	S97020368	S97020368	Fuse (From Key No. 16)
17	S97021257	S97021257	S97021257	Plastic Guides with Felt (Set of 2)
18	S98011888	S98011889	S98011890	Chimney Grille
19	S99010438	S99010439	S99010440	Filters (Set of 2)
20	S99271514	S99271514	S99271514	User Interface
*	S99271664	S99271664	S99271664	Wire Harness
*	S97019665	S97019665	S97019665	Heat Sentry
*	S99111754	S99111755	S99111756	Install Template
*	S97019570	S97019570	S97019570	Hardware/Parts Bag

Service Parts

Black Stainless Steel Models



Key No.	30" Width	36" Width	Description
1	S97021277-K01	S97021277-K02	Top Cap Ass'y Best
2	S97020367	S97020367	Felt
3	S97021274-K01	S97021274-K01	Door Ass'y Cover (Right) with Up Button
4	S97021106-K01	S97021107-K02	Door Ass'y (Includes Door Ass'y Hardware Kit)
*	S97021101	S97021101	Door Assembly Hardware Kit
5	S97021069-K01	S97021069-K01	Door Ass'y Cover (Left)
6	S99271515	S99271516	LED Light Bar
7	S97019874	S97019875	Chimney Seal
8	S98012028-B01	S98012028-B01	Lift Guide Cover
9	S97020361	S97020361	Angle Brackets (Left & Right)
10	S98011659	S98011659	Vent Cover

Key No.	30" Width	36" Width	Description
11	S99271616	S99271616	Actuator
12	S98011668	S98011668	Airbox Hole Cover
13	S98012061	S98012061	Legs (Set of 2)
14	S97019584	S97019584	Electrical Box Ass'y (Includes Key Nos. 15 & 16)
15	S99271512	S99271512	Power Supply
16	S99271573	S99271573	Main PCB
*	S97020368	S97020368	Fuse (From Key No. 16)
17	S97021257	S97021257	Plastic Guides with Felt (Set of 2)
18	S98011888-K01	S98011889-K01	Chimney Grille
19	S99010438	S99010439	Filters (Set of 2)
20	S99271514	S99271514	User Interface
*	S99271664	S99271664	Wire Harness
*	S97019665	S97019665	Heat Sentry
*	S99111754	S99111755	Install Template
*	S97019570	S97019570	Hardware/Parts Bag