



D49M Series

With D49M Series, the groundbreaking downdraft from BEST, you can design confidently, knowing it will pair with a broad range of cooktop appliances—aesthetically and mechanically—in virtually any installation configuration.

- Modular Series with choices of internal or external blower systems (sold separately). Internal features 650 Max Blower CFM with ultra-quiet 0.9 sones operation at normal setting.
- 4-speed Capacitive Glass controls to handle whatever is cooking. 10-minute delay-off feature keeps hood running after cooking to ensure smoke and odors have cleared the environment, and the filter clean reminder helps ensure optimal performance.
- Integrated LED module provides even lighting over the cooktop with two intensities.
- Combination of our Vertex® exclusive complete Capture Design technology and chimney raises 18" above the counter surface for ultimate performance.
- Code Ready™ Technology (CRT) provides ability to reduce airflow to 400 CFM to address local codes or make-up air requirements.
- Optional recirculation kit for non-ducted capability.
- Optional Remote Control allows the busy cook to stay in control from anywhere in the kitchen.



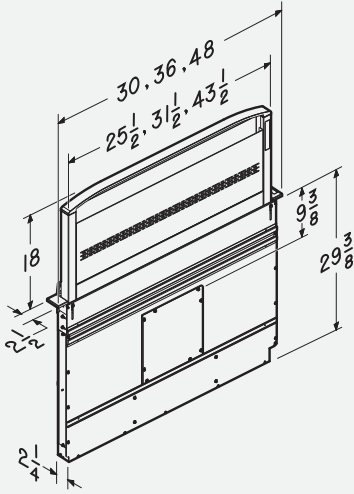
best[®]
PERFORMANCE THAT INSPIRES

At **BEST**, we make high performance range hoods that perform beautifully. Astonishingly quiet. Impressively effective. Remarkably efficient. And perfectly suited for the most distinguished kitchens.

Whether it's the centerpiece of the room or letting its surroundings shine, **BEST** is where high-end performance inspires.

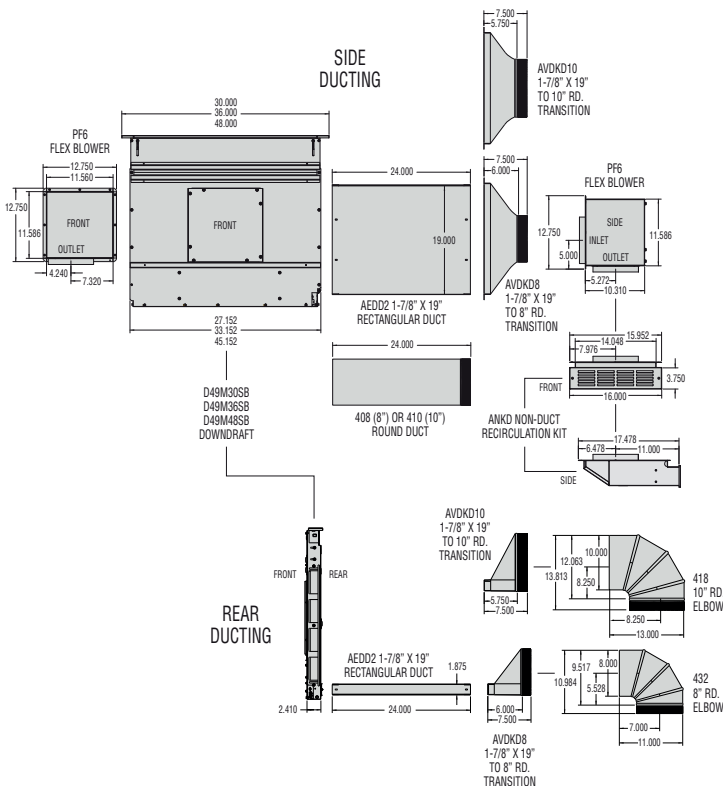
Ten FlexBlower ducting options give you unsurpassed design flexibility. The FlexBlower can be installed in front, to the left, right, or rear of the downdraft.

Optional end cap extension adds 1" to width for 31", 37" and 49" applications.



CR T
CODE READY TECHNOLOGY
If needed, ask a recommended installer to limit discharge to 400 CFM with PF6.

SYSTEM DIMENSIONS



HOOD SIZES*

Modular Internal or External (blower sold separately) — Depth: 2-1/4"

Stainless Steel	30" D49M30SB	36" D49M36SB	48" D49M48SB
------------------------	---------------------	---------------------	---------------------

Black Stainless Steel	30" D49M30BLS	36" D49M36BLS
------------------------------	----------------------	----------------------

* For exact dimensions, please refer to the technical drawing of each model.

FEATURES

Finish	Brushed Stainless Steel, Black Stainless Steel
Lighting Type	LED, 7W (30"); 14W (36"); 18W (48")
Color Temp	3000K
Lighting Levels	2
Lighting Lamps Included	Yes
Control Type	4-speed Capacitive Glass
Control Features	Heat Sentry™, Delay Off, Filter Timer
Remote Control	Optional ACRD, ACRDBLS
Filter Type	Mesh Grease
Non-ducted Capability	Yes

HOOD BLOWER OPTIONS (blower sold separately)

Internal Modular	PF6¹		
Max Blower CFM*	650		
External In-line	ILB6	ILB9	ILB11
Max Blower CFM*	675	900	1500
External Exterior	EB9		EB15
Max Blower CFM*	840		1650

¹ If needed, ask a recommended installer to limit discharge to 400 CFM.

Refer to external blower's specification sheets for HVI performance (sones & CFM).

ACCESSORIES

Non-ducted Recirculating Kit	ANKD
Transition to 8" Round	AVDKD8
Transition to 10" Round	AVDKD10
Charcoal Filter	AFCD
Stainless Range Trim Kit (1/2" depth)	ATKD30SB, ATKD36SB, ATKD48SB
Black Stainless Range Trim Kit (1/2" depth)	ATKDB30BLS, ATKDB36BLS
Stainless End Cap Extension	ATTD1
Black Stainless End Cap Extension	ATTD1BLS
Automatic MUA Damper	MD6T, MD8T, MD10TU (Requires Fresh Air Inlet)
Fresh Air Inlet	641FA, 643FA, 610FA

INSTALLATION REQUIREMENTS

Amps @ 120V: Internal Blower	6.0 Max
Electrical Connection	Plug In
Duct Size: Internal Blower	8"
Duct Size: External Blower	10"
Duct Direction	Front, Left, Right, Rear or Down
Backdraft Damper	Not Included

*MAX Blower CFM indicates the performance of the hood blower in open air.



BESTRANGHOODS.COM
USA 800-558-1711

BESTRANGHOODS.CA
CANADA 800-567-3855

99045243K 09/23

