

⚠ Intended for domestic cooking only ⚠

⚠ WARNING

TO REDUCE THE RISK OF FIRE, ELECTRIC SHOCK, OR INJURY TO PERSONS, OBSERVE THE FOLLOWING:

- Use this unit only in the manner intended by the manufacturer. If you have questions, contact the manufacturer at the address or telephone number listed in the warranty.
- Before servicing or cleaning unit, switch power off at service panel and lock the service disconnecting means to prevent power from being switched on accidentally. When the service disconnecting means cannot be locked, securely fasten a prominent warning device, such as a tag, to the service panel.
- Installation work and electrical wiring must be done by a qualified person(s) in accordance with all applicable codes and standards, including fire-rated construction codes and standards.
- Sufficient air is needed for proper combustion and exhausting of gases through the flue (chimney) of fuel burning equipment to prevent backdrafting. Follow the heating equipment manufacturer's guideline and safety standards such as those published by the National Fire Protection Association (NFPA), and the American Society for Heating, Refrigeration and Air Conditioning Engineers (ASHRAE), and the local code authorities.
- When cutting or drilling into wall or ceiling, do not damage electrical wiring and other hidden utilities.
- Ducted fans must always be vented to the outdoors.
- Do not use this unit with any separate solid-state speed control device.
- To reduce the risk of fire, use only metal ductwork.
- This unit must be grounded.
- When installing, servicing or cleaning the unit, it is recommended to wear safety glasses and gloves.
- When applicable local regulations comprise more restrictive installation and/or certification requirements, the aforementioned requirements prevail on those of this document and the installer agrees to conform to these at his own expense.

⚠ WARNING

TO REDUCE THE RISK OF A RANGE TOP GREASE FIRE:

- Never leave surface units unattended at high settings. Boilovers cause smoking and greasy spillovers that may ignite. Heat oils slowly on low or medium settings.
- Always turn hood ON when cooking at high heat or when flambéing food (i.e. Crepes Suzette, Cherries Jubilee, Peppercorn Beef Flambe).
- Clean ventilating fans frequently. Grease should not be allowed to accumulate on fan or filter.
- Use proper pan size. Always use cookware appropriate for the size of the surface element.

TO REDUCE THE RISK OF INJURY TO PERSONS IN THE EVENT OF A RANGE TOP GREASE FIRE, OBSERVE THE FOLLOWING:*

- SMOTHER FLAMES** with a close-fitting lid, cookie sheet, or metal tray, then turn off the burner. **BE CAREFUL TO PREVENT BURNS.** If the flames do not go out immediately, **EVACUATE AND CALL THE FIRE DEPARTMENT.**
- NEVER PICK UP A FLAMING PAN** - You may be burned.
- DO NOT USE WATER**, including wet dishcloths or towels - violent steam explosion will result.
- Use an extinguisher **ONLY** if:
 - You know you have a Class ABC extinguisher and you already know how to operate it.
 - The fire is small and contained in the area where it started.
 - The fire department is being called.
 - You can fight the fire with your back to an exit.

* Based on "Kitchen Fire Safety Tips" published by NFPA.

⚠ CAUTION

- For indoor residential use only.
- To reduce risk of fire and to properly exhaust air, be sure to duct air outside. Do not vent exhaust air into spaces within walls or ceilings or into attics, crawl spaces, or garages.
- Take care when using cleaning agents or detergents.
- Avoid using food products that produce flames under the Range Hood.
- For general ventilating use only. Do not use to exhaust hazardous or explosive materials and vapors.
- To avoid motor bearing damage and noisy and/or unbalanced impellers, keep drywall spray, construction dust, etc. off power unit.
- Your hood motor has a thermal overload which will automatically shut off the motor if it becomes overheated. The motor will restart when it cools down. If the motor continues to shut off and restart, have the hood serviced.
- The bottom of the hood **MUST NOT BE LESS** than 24" and recommended at a maximum of 30" above the cooktop for best capture of cooking impurities.
- Use only with range hood cord connection kits that have been investigated and found acceptable for use with this model range hood.
- Please read specification label on product for further information and requirements.

For complete warranty statement and service parts, or to learn more about the instructions below, please type your model number in on our website or scan the QR code.

To obtain a paper copy of the detailed instructions, please call us.

In the United States

bestrangehoods.com

1-800-558-1711

In Canada

bestrangehoods.ca

1-800-567-3855



For ADA compliance installation guidelines, please type the model number into our website.

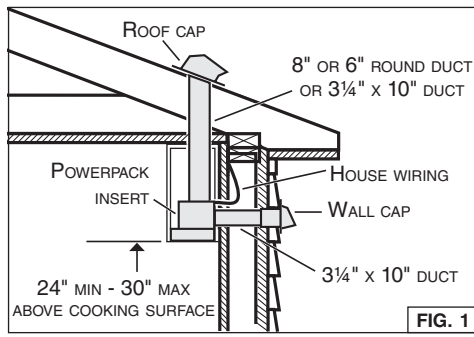
RECOMMENDED TOOLS AND ACCESSORIES

- Measuring tape
- Phillips screwdriver no. 2
- Nut driver or socket 3/8"
- Flat blade screwdriver (to open knock-out holes)
- Saw (to cut holes in cabinet)
- Sheet metal shears
- Pliers
- Metal foil duct tape
- Filler kits HADTBN24 (for 24"), HADTBN30 (for 30") or HADTBN36 (for 36") (optional)
- Scissors (to cut metal foil duct tape)
- Pencil
- Wire stripper
- 2 Appropriate wire nuts
- Strain relief, 7/8" diameter (to secure house wiring cable to the hood)

1. INSTALL THE DUCTWORK (DUCTED INSTALLATION ONLY)

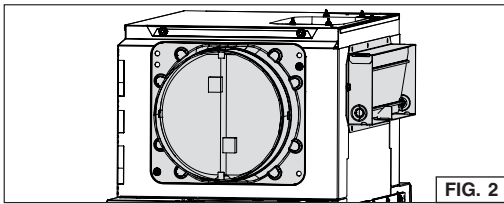
NOTE: To reduce the risk of fire, use only metal ductwork.

- Decide where the ductwork will run between the powerpack insert and the outside. (FIG. 1)
- A straight, short duct run will allow the hood to perform most efficiently.
- Long duct runs, elbows, and transitions will reduce the performance of the hood. Use as few of them as possible. Larger ducting may be required for best performance with longer duct runs.
- Install wall cap or roof cap (sold separately). Connect metal ductwork to cap and work back towards the hood location. Use 2" metal foil duct tape to seal the joints between ductwork sections.



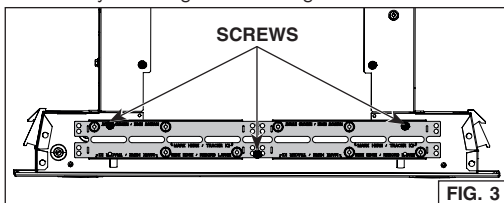
2. REMOVE THE ADAPTER/DAMPER AND 6-IN. ROUND DAMPER

Detach and set aside the 3/4" x 10" adapter/damper and the 6-in.-round damper (grey parts in FIG. 2) from back and side of the powerpack insert by removing their 2 retaining screws. Discard the screws.

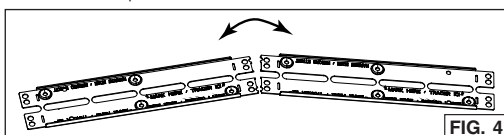


3. REMOVE THE CABINET BRACKETS

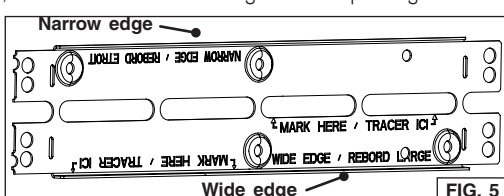
Detach the cabinet brackets (grey part in FIG. 3) from the back of the powerpack insert by removing its 3 retaining screws. Discard the screws.



Fold up and down the bracket until it is split in two separate parts (FIG. 4). Keep the brackets for possible further use.



NOTE: Both cabinet brackets have one wide edge and one narrow edge (FIG. 5), to cover all installation configurations depending on cabinet widths.



4. PREPARE THE CABINET

⚠ WARNING

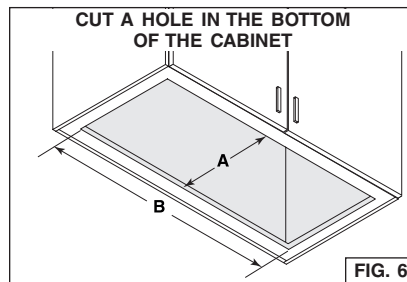
The cabinet must be secured to wall studs or other wooden framework behind the drywall to support the weight of this unit. Failure to do so may cause personal injury or damage to countertop or cooktop.

- NOTES: A. The unit has to be installed inside the cabinet.
 B. The unit should be mounted centered laterally over the cooktop burners.
 C. For back to front position, the unit must be mounted according to local building codes.

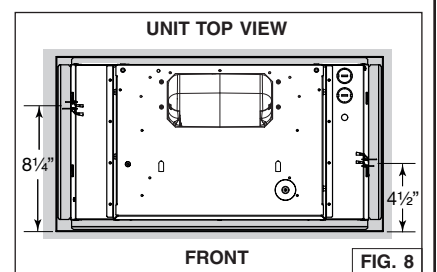
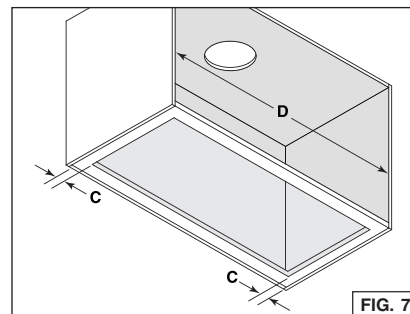
- Cut a hole in the bottom of the cabinet, using the dimensions shown (FIG. 6).
- Measure the remaining material of the cabinet bottom sides (C in FIG. 7), if it is 1/4" or more, there is no need to use the cabinet brackets. Go to step 7.
- When there is less than 1/4" remaining material (C), carefully remove those strips. Measure the cabinet inner width (D in FIG. 7). Refer to the table below to see which cabinet bracket edge configuration must be used.

UNIT	NARROW EDGE	WIDE EDGE
HBN1246SS	D From 22-1/16" to < 22-1/2"	D From 22-1/2" to 23"
HBN1306SS	D From 28-1/16" to < 28-1/2"	D From 28-1/2" to 29"
HBN1366SS	D From 34-1/16" to < 34-1/2"	D From 34-1/2" to 35"

- Pay attention to the Ease of Install hooks location on the unit (distance given from unit front flange, FIG. 8). Measure and mark the position of the Ease of Install hooks (shown as E in FIG.9) on both cabinet side walls. Remove the unit.



- A = 10 1/4" (all units)**
B = 22 1/16" (HBN1246SS)
B = 28 1/16" (HBN1306SS)
B = 34 1/16" (HBN1366SS)

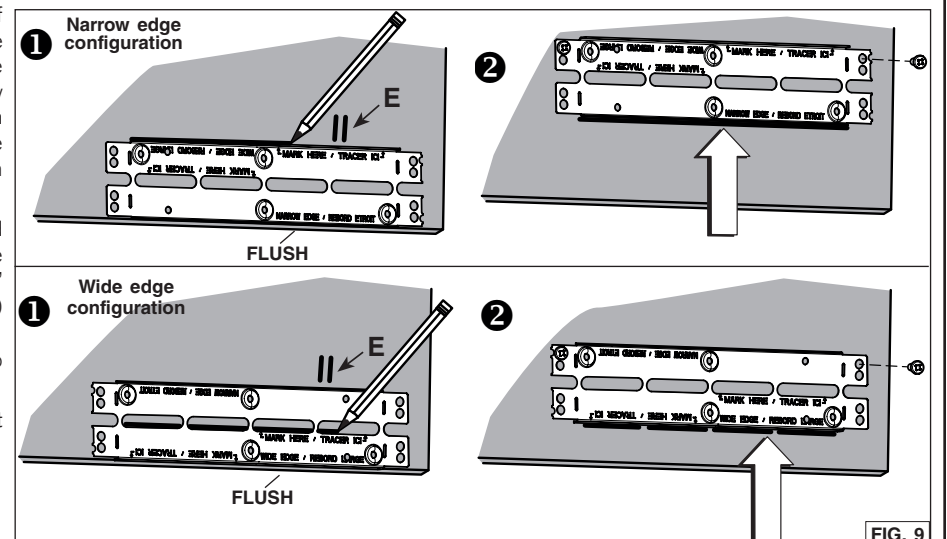


- Install the cabinet brackets as follow (FIG. 9):

- Align the bracket flush with the bottom of the right cabinet side panel, with the hooks marked position (E) between the bottom embossed holes. For the narrow edge configuration, trace a line on the top of the bracket. For wide edge configuration, trace a line at the bottom of the central slots.
- Lift the bracket flush with the marked lined. Assemble the bracket to the cabinet side panel using 2 no. 8 x 5/8" wood screws (included in parts bag) through the upper holes.

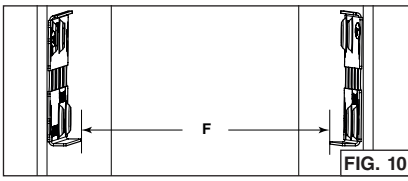
NOTE: Do not use the embossed holes to attach the bracket to the cabinet.

- Repeat steps 1 to 2 for the left cabinet side panel.



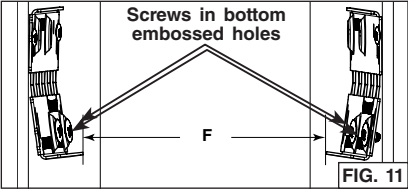
4. PREPARE THE CABINET (CONT'D)

6. Measure the distance between both bottom bracket edges (F) (FIG. 10). The table below shows the appropriate distance needed.



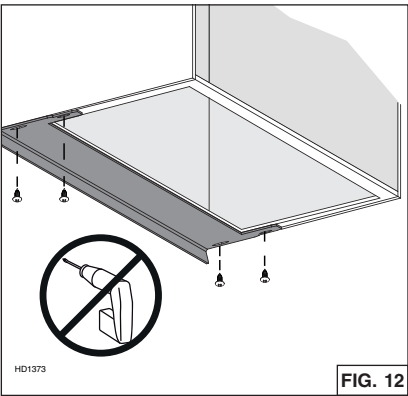
UNIT	NARROW EDGE	WIDE EDGE
HBN1246SS	F From 21-7/8" to < 22-1/16"	F From 22-1/16" to 22-5/16"
HBN1306SS	F From 27-7/8" to < 28-1/16"	F From 28-1/16" to 28-5/16"
HBN1366SS	F From 33-7/8" to < 34-1/16"	F From 34-1/16" to 34-5/16"

If the measured distance needs to be shortened, screw two no. 8-32 x 1/4" machine screws, in each bottom embossed cabinet brackets hole; this will slightly bend the bottom part of the brackets (FIG. 11). Screw both brackets until the appropriate distance is obtained.



7. Optional

There are 7 different sizes of optional fillers (sold separately) designed to fit up to 15-in. depth cabinets (for HBN1246SS unit, order: HADTBN24, for HBN1306SS: order HADTBN30, for HBN1366SS: order HADTBN36). Choose the filler that fits better to cover the back bottom edge of the cabinet. Use 4 no. 6 x 1/2" truss head wood screws (included in the optional kit) to mount it (FIG. 12).



CAUTION

Never use an electric screwdriver or drill to screw the filler to the bottom edge of cabinet; use a standard screwdriver.

HORIZONTAL EXHAUST INSTALLATION ONLY

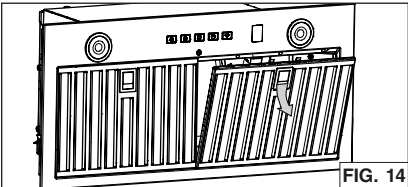
This powerpack insert is factory shipped to exhaust vertically; however, it is possible to make it exhaust horizontally (3/4" x 10" ducting only).

5. PREPARE THE UNIT

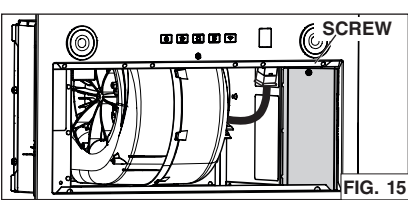
ALL INSTALLATIONS

1. If present, remove all protective polyfilm from the unit and/or parts.

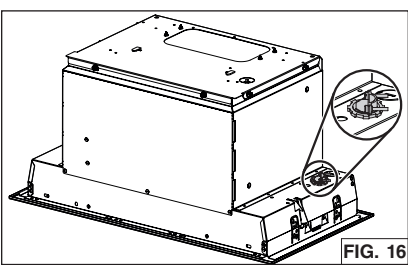
2. Remove the hybrid baffle filters by pushing down on latch tab and tilting the filters downward (FIG. 14). Set aside the filters.



3. Disassemble the electrical compartment cover (grey part in FIG. 15) from inside the unit by removing its retaining screw. Remove the parts bag behind the cover. Set aside the parts bag and the cover along with its screw.

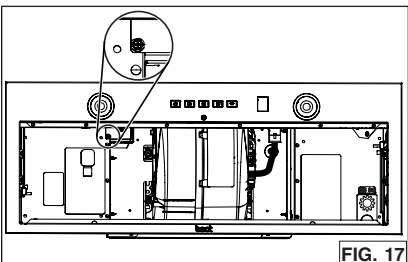


4. Punch out **one** of the two knock-out holes. Install an appropriate 7/8" diameter strain relief (not included, grey part in FIG. 16). NOTE: The HCK44 cord connection kit (optional) can be used instead of the house power cable. Refer to the instruction packed with the HCK44 cord connection kit.



HORIZONTAL EXHAUST INSTALLATION ONLY

5. Remove and discard the screw circled in FIG. 17.

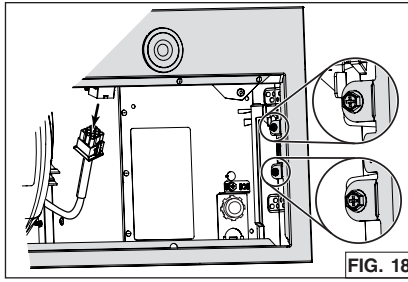


NOTE: This screw might be present or not.

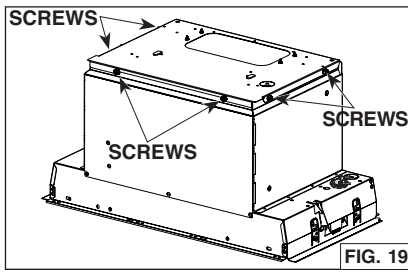
5. PREPARE THE UNIT (CONT'D)

HORIZONTAL EXHAUST INSTALLATION ONLY (CONT'D)

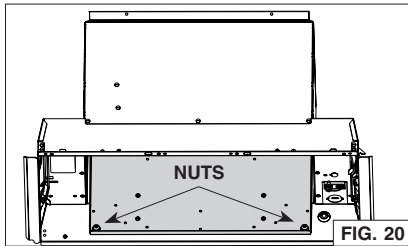
6. Unplug the blower cable from its connector on faceplate. Disassemble the faceplate from the unit by removing its 4 retaining screws (two per side, circled in FIG. 18). Set aside the faceplate along with its screws.



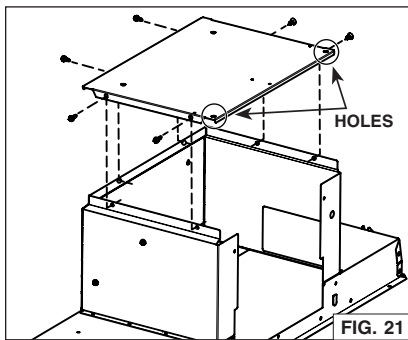
7. Remove the 6 screws (2 per side and 2 in front) retaining the blower support plate to the top of the unit (FIG. 19). Carefully lift out and set aside the blower with its support plate. The blower will be reinstalled later in the unit.



8. From inside the unit, detach the back plate (grey part in FIG. 20) by removing its both retaining nuts using 3/8" diameter socket. Set aside the nuts and plate.

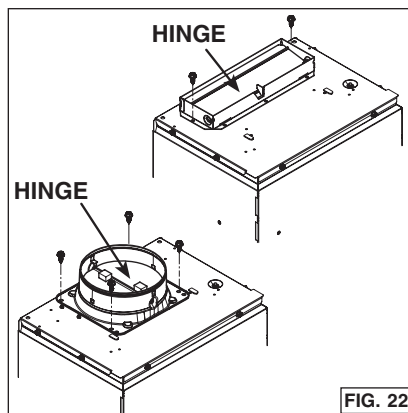


9. Install the back plate on top of the unit, where the blower support plate was. Orient the holes nearby the corners towards the back of the unit. Assemble to the top of the unit using 6 screws previously removed in step 7 (FIG. 21).



VERTICAL EXHAUST INSTALLATION ONLY

10. For rectangular ducting, use 2 included no. 8-18 x 1/4" metal screws to attach the included 3/4" x 10" adapter damper on top of the unit, over the blower exhaust opening (FIG. 22).

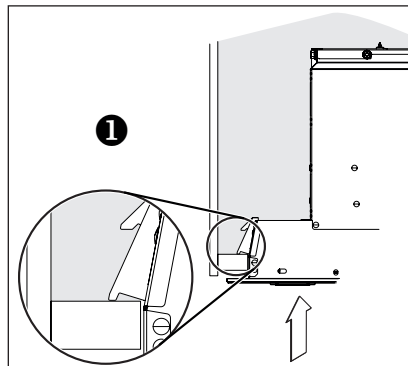


NOTE: The damper hinge must be towards the front of the unit.

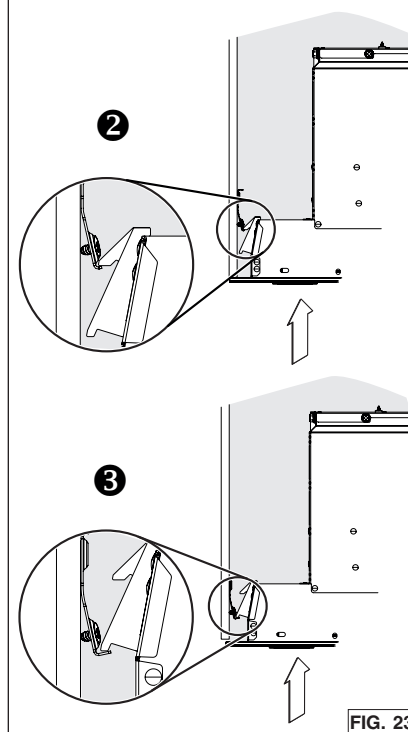
For round ducting, use 4 included no. 8-18 x 1/4" metal screws to attach the included 6-in. round (or 8-in. round) adapter damper on top of the unit, over the blower exhaust opening (FIG. 22, 6-in. round shown). NOTE: The damper hinge must be parallel to the sides of the unit.

6. INSTALL THE UNIT

1. Run house power cable between service panel and unit location. Stub out a 2-foot length of power cable inside the cabinet. Insert the power cable in the unit through the 7/8" diameter strain relief previously installed. NOTE: Not necessary if the optional HCK44 cord connection kit is used.

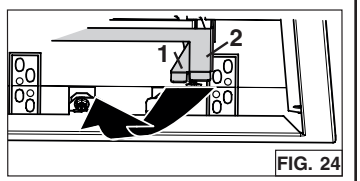


2. Insert the unit in the cabinet, until you feel a 'click' from both sides of the unit, confirming that the Ease of Install hooks rest on the top of the cabinet bottom sides 1, or cabinet brackets 2 or 3 (FIG. 23). Move the unit from left to right, from rear to front and up to ensure the Ease of Install hooks are retaining the unit inside the cabinet. NOTE: The unit will be protruding below the cabinetry until tightened.

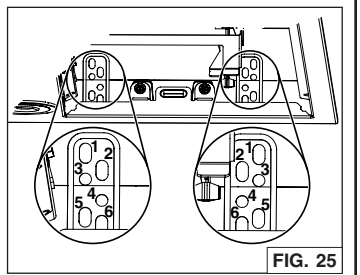


6. INSTALL THE UNIT (CONT'D)

NOTE: If, for any reason, the unit has to be removed from the cabinet, it is possible to disengage the Ease of Install hooks. To do so, while holding and pushing on one side of the unit, lift simultaneously Ease of Install hooks levers (1 and 2, grey parts in FIG. 24) in the other side of the unit until the hooks are retracted.



3. Lift the unit until contact is made between the unit flange and cabinet. Secure the unit to the cabinet using 4 no. 8 x 5/8" wood screws included in parts bag (2 screws per side). Use upper or lower holes (1, 2, 3, 4, 5 or 6) (FIG. 25).



WARNING

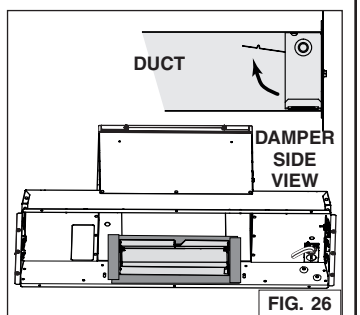
The Ease of Install hooks TEMPORARILY hold the unit in place. The unit MUST BE secured to the cabinet using the included 4 screws.

WARNING

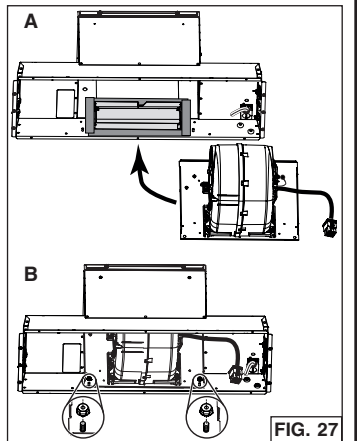
Never use this unit as a shelf.

HORIZONTAL EXHAUST INSTALLATION ONLY

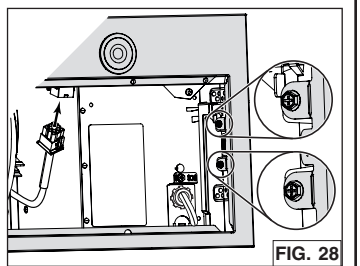
4. From inside the unit, slide the 3/4" x 10" adapter/damper in the horizontal duct, then attach it to the unit using aluminum duct tape all around the joint (FIG. 26). Ensure the damper opens as shown in damper side view.



5. Insert the blower with its support plate inside the unit, where the back plate was initially (A). Attach to the unit using 2 nuts previously removed in step 8 in PREPARE THE UNIT section (B) (FIG. 27).



6. Reinstall and secure the faceplate to the unit using its 4 retaining screws (two per side, circled in FIG. 28). Plug the blower cable to its connector on faceplate (FIG. 28).

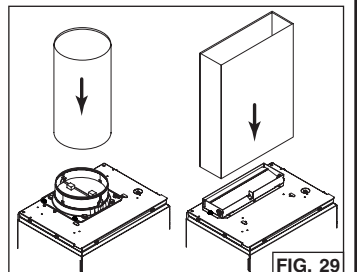


7. CONNECT DUCTWORK

VERTICAL EXHAUST INSTALLATION ONLY

Ducted Installation

Use 6-in. round, 8-in. round or 3/4" x 10" metal duct to connect the adapter damper on the top of the unit to the ductwork above (FIG. 29, 8-in. round not shown). Seal the joint using aluminum duct tape.



Non-Ducted Installation

A non-duct kit is required for this type of installation (purchase separately). To install, follow the instructions packed with the kit. Refer to table below to find the appropriate non-duct kit according to the unit.

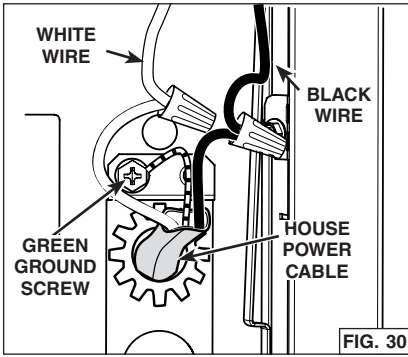
UNIT MODEL	NON-DUCT KIT MODEL
HBN1246SS	HARKBN24
HBN1306SS	HARKBN30
HBN1366SS	HARKBN36

8. WIRING

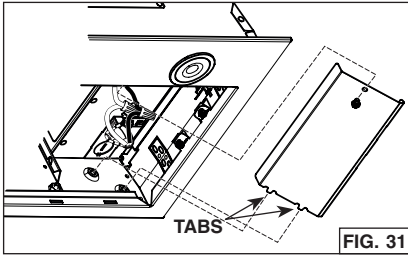
⚠ WARNING

Risk of electric shock. Electrical wiring must be done by qualified personnel in accordance with all applicable codes and standards. Before connecting wires, switch power off at service panel and lock service disconnecting means to prevent power from being switched on accidentally.

- Using appropriate wire nuts (not included), connect house power cable to unit wiring: BLACK to BLACK, WHITE to WHITE and GREEN or bare wire to GREEN ground screw (FIG. 30).



- Reinstall the electrical cover in the unit; ensuring the bottom tabs are inserted in their embossed location. Secure in place using its retaining screw (FIG. 31).



CAUTION

Take care not to pinch wires while reinstalling wiring cover.

9. INSTALL THE FILTERS

Ducted Installation

Reinstall the hybrid baffle filters.

Non-Ducted Installation

Attach the non-ducted filters (included with the HARKBN24, HARKBN30 or HARKBN36 non-duct kit) to the back of the hybrid baffle filters using clips (provided with non-ducted filters). To order new non-ducted filters, use service part number S99010464-124 for HBN1246SS, S99010464-130 for HBN1306SS or S99010464-136 for HBN1366SS model.

10. MAINTENANCE

ALWAYS SWITCH OFF THE ELECTRICITY SUPPLY BEFORE CARRYING OUT ANY OPERATIONS ON THE APPLIANCE.

Hybrid Baffle Filters

The hybrid baffle filters should be cleaned frequently. Use a warm dishwashing detergent solution. Hybrid baffle filters are dishwasher safe. Clean the filters in the dishwasher using a non-phosphate detergent. Discoloration of the filters may occur if using phosphate detergents, or as a result of local water conditions - but this will not affect filters performance. This discoloration is not covered by the warranty. To minimize or prevent discoloration, hand wash filters using a mild detergent.

Non-Ducted Recirculation Filters

The Non-Ducted Recirculation filters should be changed every 3 to 6 months. Replace more often if your cooking style generates extra grease, such as frying and wok cooking.

11. STAINLESS STEEL CLEANING

Do:

- Regularly wash with clean cloth or rag soaked with warm water and mild soap or liquid dish detergent.
- Always clean in the direction of original polish lines.
- Always rinse well with clear water (2 or 3 times) after cleaning. Wipe dry completely.
- You may also use a specialized household stainless steel cleaner.

Don't:

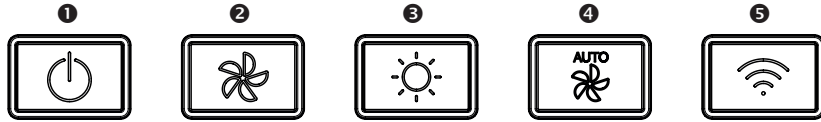
- Use any steel or stainless steel wool or any other scrapers to remove stubborn dirt.
- Use any harsh or abrasive cleansers.
- Allow dirt to accumulate.
- Let plaster dust or any other construction residues reach the unit. During construction/renovation, cover the unit to make sure no dust sticks to the stainless steel surface.

Avoid when choosing a detergent:

- Any cleaners that contain **bleach** will attack stainless steel.
- Any products containing: **chloride, fluoride, iodide, bromide** will deteriorate surfaces rapidly.
- Any combustible products used for cleaning such as **acetone, alcohol, ether, benzol**, etc., are highly explosive and should never be used close to a range.

12. OPERATION

Soft-touch control panel



NOTES: 1. Each time a key is pressed, a beep is emitted to acknowledge the command. To disable, when the fan and lights are OFF, press on the Lights key (3) for 5 seconds. To put it back, when the fan and lights are OFF, press again on the Lights key (3) for 5 seconds.
2. Each time a key is pressed, its backlight turns ON. When a function is turned OFF, so does the corresponding key backlight.

- Master ON/OFF:** Press this key to turn on the light and the fan at the last saved intensity. The backlights of the master ON/OFF key, fan key and light key are turned ON. When either light and fan are ON, pressing on this key will memorize the current fan speed and lighting level prior to shut them OFF.

Whenever there is an active function (light or fan is turned ON directly by pressing the fan or light key), the master ON/OFF backlight is turned ON. When the last active function is turned OFF (light or fan is turned OFF directly by pressing the fan or light key), the master ON/OFF backlight is also turned OFF.

- Fan:** When fan is OFF, a key press turns ON the fan to the last saved speed. If there was no speed saved, the fan will be set on LOW speed. To change the fan speed, press the key again until the desired speed is reached (from LOW, to MEDIUM-LOW, to MEDIUM-HIGH, to HIGH speed to OFF).

When the fan is ON (no matter the speed level), a long key press turns the fan OFF and the current fan speed setting is saved to memory.

Filter Cleaning Reminder: When the user turns the fan OFF, and the fan key backlight flashes slowly during 30 seconds, then this means it is time to clean the hood and filters (refer to Maintenance section). This will happen every time the user turns the fan OFF (and the timer has not been reset). Once the cleaning is done, at any time during the 30 second signal (and the fan is OFF), a long press on the fan key will reset the timer and stop the key backlight flashing.

- Lights:** Press this key to turn ON the lights to the last saved intensity. If there was no light intensity saved, the lights will be set on LOW intensity. To change the lights intensity, press the key again until the desired level is reached (from LOW, to MEDIUM, to HIGH intensity, to OFF).

When the lights are ON, a long press turns the lights OFF and the current light intensity is saved to memory. The next time the lights are turned ON (either with the light key or the master ON/OFF key), it does so at the last saved intensity.

- Auto (SMART SENSE):** When the fan is OFF, press this key to enable the Auto mode. When a cooking session is detected, this function will automatically start or adjust the fan speed according to the heat detected on the cooktop. The fan will automatically turn OFF when there is no longer sufficient heat detected on the cooktop.

When the hood is OFF and not in use for 3 minutes, the Auto key backlight will automatically turn OFF. Pressing any key will turn the backlight back ON. To disable the Auto mode, press for a long time the Auto key until the backlight turns OFF.

Manual fan speed adjustment in Auto mode:

When the Auto mode is operating, it is possible to manually change the fan speed using the fan key. The Auto key backlight will turn OFF to indicate that the Auto mode is on pause (until the fan has been manually turned OFF). When the heat is sufficiently low on the cooktop, the Auto mode function will automatically be re-enabled and its backlight will turn ON.

Auto Mode Characteristics:

- The Auto Mode sensor measures the temperature related to cooking activity on the range or cooktop.
 - When removing a pan or pot from a hot stove surface, the fan speed may increase. This is not unusual since the sensor detects a temperature increase.
 - The fan may turn OFF when cooking at a very low temperature level, especially with induction units.
 - The fan may turn OFF temporarily when adding cold or frozen items in the pan or pot. When the items heat up sufficiently, the fan will automatically turn back ON.
 - When opening the door of a hot oven or when running a self-cleaning oven, the fan may start automatically.
 - When starting to cook, there may be a short delay of the fan operation while the pot/pan heats up.
 - After cooking is finished, it is normal for the fan to remain ON for a short period of time until the cooking surface/pot/pan cools down.
- WiFi®/Bluetooth®:** See next page.

HEAT SENTRY™

Your unit is equipped with a HEAT SENTRY™ thermostat.

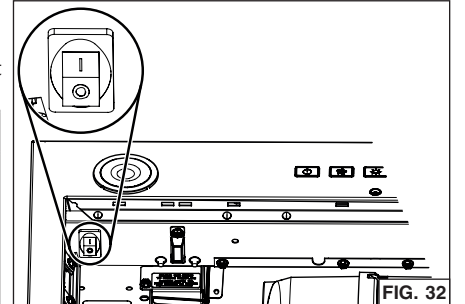
This thermostat is a device that will turn on or speed up the blower if it senses excessive heat above the cooking surface.

- If blower is OFF - it turns blower ON to HIGH speed.
- If blower is ON at a lower speed setting - it turns blower up to HIGH speed.

When the temperature level drops to normal, the blower will return to its original setting.
NOTE: When Heat Sentry is activated, the fan key backlight flashes slowly and the fan speed cannot be changed.

⚠ WARNING

The HEAT SENTRY thermostat can start the blower even if the hood is turned OFF. When this occurs, it is impossible to turn the blower OFF with its switch. If you must stop the blower, set the main power switch (located behind the hybrid baffle filters, on inner side of the unit faceplate) in OFF position (if it is possible to do so safely). See inset in FIG. 32.



FCC/IC Statements

**Contains FCC ID: 2AC7Z-ESP32WROVERE
Contains IC: 21098-ESPWROVERE**

FCC COMPLIANCE STATEMENT

This device complies with part 15 of the FCC Rules. Operation is subject to the following two conditions:

- (1) This device may not cause harmful interference, and (2) this device must accept any interference received, including interference that may cause undesired operation.

INDUSTRY CANADA STATEMENT

This device complies with Industry Canada license exempt RSS standard(s). Operation is subject to the following two conditions:

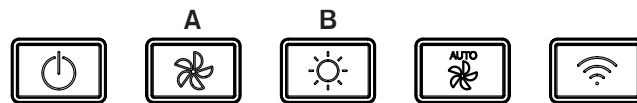
- (1) this device may not cause interference, and (2) this device must accept any interference, including interference that may cause undesired operation of the device.

CODE READY™ TECHNOLOGY ACTIVATION

The Code Ready Technology option allows to change the blower output from the 600 CFM factory setting to a maximum of 400 CFM or 300 CFM. Activating the CRT option will reduce the airflow, so that the powerpack insert will perform within the allowable limit of Make-Up Air (MUA) codes (to meet some building code requirements). Do not change the blower CFM setting unless this change is required by code. This change will alter the performance of the product.

- IMPORTANT NOTES:**
- This change **CANNOT** be reverted.
 - CRT can only be set within the first 5 minutes of applying power to the unit.
 - A power outage will not deactivate the CRT.
 - Fan and lights must be OFF.

CRT PROCEDURE



- Switch power ON using the main power switch (located behind the filters) and press simultaneously on Fan (A) and Lights (B) keys for 5 seconds; Fan (A) and Lights (B) key backlights will now flash to indicate you entered the CRT menu.

400 CFM MAXIMUM AIRFLOW

- To select the 400 CFM maximum airflow, press on the Fan (A) key for 5 seconds, then release; the Fan key backlight will now flash to indicate 400 CFM has been selected (the Light (B) key backlight will be shut).
- A second 5-second press on the Fan (A) key and release confirms the selection; the Fan key backlight quickly flashes twice and the buzzer sounds a double beep. The user interface returns to normal operation.
- Locate the CRT sticker near the HVI Certification label inside the hood, behind the filter. Check the proper box (400 CFM).

300 CFM MAXIMUM AIRFLOW

- To select the 300 CFM maximum airflow, press on the Lights (B) key for 5 seconds, then release; the Lights key backlight will now flash to indicate 300 CFM has been selected (the Fan (A) key backlight will be shut).
- A second 5-second press on the Lights (B) key and release confirms the selection; the Lights key backlight quickly flashes twice and the buzzer sounds a double beep. The user interface returns to normal operation.
- Locate the CRT sticker near the HVI Certification label inside the hood, behind the filter. Check the proper box (300 CFM).

WI-FI/BLUETOOTH®

This key is used to pair the powerpack insert (via Bluetooth®) to a smart device and to connect it to your home Wi-Fi network, or deactivate Wi-Fi/Bluetooth.

ACTIVATING PAIRING MODE

Before starting this procedure, ensure fan and lights are OFF. Press the key 3 seconds to initiate the pairing process, if the Wi-Fi/Bluetooth function was OFF, it will turn back ON. The key backlight will flash (15 secs) showing that the device is ready to be paired.

WI-FI/BLUETOOTH FUNCTIONALITY

To turn OFF the Wi-Fi/Bluetooth function, press the key for 3 seconds. Once the key backlight is flashing, press the Master ON/OFF key (●) for 3 seconds. The Wi-Fi/Bluetooth function and key backlight will turn OFF. To turn back ON the Wi-Fi/Bluetooth function, press the key for 3 seconds.

When the hood is OFF and not in use for 3 minutes, the Wi-Fi/Bluetooth key backlight will automatically turn OFF. Pressing any key will turn the backlight back ON.

RESETTING WI-FI/BLUETOOTH

To reset the Wi-Fi/Bluetooth connectivity (remove saved devices and disconnect from the Wi-Fi network), press the key for 3 seconds. Once the key backlight is flashing, press the key again for 10 seconds.

ESSENTIALS TO CONNECT YOUR WI-FI/BLUETOOTH UNIT

Before you connect your powerpack insert to a Wi-Fi network, you will need:

- A smart device with the latest version of iOS or Android operating system
- The smart device has access to the internet and Wi-Fi and Bluetooth are enabled
- The smart device within 5 meters (16 ft.) of the powerpack unit
- The powerpack unit is within the Wi-Fi signal range of your home network
- The name of your Wi-Fi home network (SSID) and its password
- No other Bluetooth enabled smart device nearby.

CONNECTING YOUR WI-FI/BLUETOOTH UNIT

1. Download the Best Kitchen app.



2. Follow the instructions in the app.
3. Scan the QR code below if you need more details for installing and using the app.



Apple and the Apple logo are trademarks of Apple Inc., registered in the U.S. and other countries.

App Store is a service mark of Apple Inc., registered in the U.S. and other countries.

Google Play and the Google Play logo are trademarks of Google LLC.

The Bluetooth® word mark and logos are registered trademarks owned by Bluetooth SIG, Inc. and any use of such marks by Best is under license.

Other trademarks and trade names are those of their respective owners.

USING YOUR CONNECTED ITEM

Now that your unit is properly connected, you can experience all the functionalities through the app. Even if you are not physically close to the unit, you can control it through the app using your Wi-Fi network.

VOICE CONTROL

You can control the powerpack insert through your voice assistant device (Alexa or Google Home).

USING ALEXA APP OR ALEXA SPEAKER OR DISPLAY

You can rename your powerpack insert using the Alexa app. Keep in mind that this only renames the device on Alexa's end.

Here are some of the currently Alexa voice commands for your powerpack insert:

Range hood:

Alexa, turn ON the range hood

Alexa, turn the range hood ON

Alexa, turn OFF the range hood

Alexa, turn the range hood OFF

Fan

Alexa, turn ON the range hood fan

Alexa, turn OFF the range hood fan

Alexa, set the range hood fan speed to one

Alexa, set the range hood fan speed to two

Alexa, set the range hood fan speed to three

Alexa, set the range hood fan speed to four

Lights

Alexa, turn ON the range hood lights

Alexa, turn OFF the range hood lights

Alexa, set the range hood lights to one

Alexa, set the range hood light to two

Alexa, set the range hood lights to three

USING GOOGLE ASSISTANT ENABLED SPEAKER OR DISPLAY

Say "Hey Google" and Google will start listening to your commands.

Here are some of the currently Google voice commands for your powerpack insert:

Range hood

Hey Google, turn ON the range hood

Hey Google, turn the range hood ON

Hey Google, turn OFF the range hood

Hey Google, turn the range hood OFF

Fan:

Hey Google, turn ON the range hood fan

Hey Google, turn OFF the range hood fan

Hey Google, set the range hood fan speed to one

Hey Google, set the range hood fan speed to two

Hey Google, set the range hood fan speed to three

Hey Google, set the range hood fan speed to four

Lights

Hey Google, turn ON the range hood lights

Hey Google, turn OFF the range hood lights

Hey Google, set the range hood lights to one

Hey Google, set the range hood lights to two

Hey Google, set the range hood lights to three

FIRMWARE UPDATE

Periodic firmware updates will improve your experience using the unit. You will be able to explore new features that are added to the device and have enhanced user experience while interacting with the device. A Best user account must be created in order to take advantage of Firmware updates.

When updates are available, you will be notified through the app. We recommend installing updates when they are available; it only takes a few minutes.

When a firmware is available, you will need:

- the powerpack insert connected to your Wi-Fi home network
- your smart device with the Best app properly installed and configured

SCAN THIS QR CODE TO
ACCESS COMPLETE VERSION
OF THESE INSTRUCTIONS
(INCLUDING SPANISH)



▲ AVERTISSEMENT

AFIN DE RÉDUIRE LES RISQUES D'INCENDIE, D'ÉLECTROCUTION OU DE BLESSURES CORPORELLES, SUIVEZ LES DIRECTIVES SUIVANTES :

- N'utilisez cet appareil que de la façon prévue par le fabricant. Si vous avez des questions, contactez le fabricant à l'adresse ou au numéro de téléphone indiqués dans la garantie.
- Avant de réparer ou de nettoyer l'appareil, couper l'alimentation électrique en verrouillant le panneau de distribution afin d'éviter sa remise en marche accidentelle. Si le panneau de distribution ne peut être verrouillé, y fixer un avertissement en évidence, telle qu'une étiquette de couleur vive.
- Les travaux d'installation et de raccordement électrique doivent être effectués par une personne qualifiée, conformément aux codes et aux standards de construction, incluant ceux concernant la protection contre les incendies.
- Une quantité d'air adéquate est requise afin d'assurer une bonne combustion et l'évacuation des gaz par la cheminée dans le cas des équipements alimentés au gaz afin de prévenir les retours de cheminée. Conformez-vous aux instructions et aux standards de sécurité des fabricants d'équipement de chauffage, tel qu'ils sont publiés par la National Fire Protection Association (NFPA) et l'American Society for Heating, Refrigeration and Air Conditioning Engineers (ASHRAE) ainsi que les responsables des codes locaux.
- Veillez à ne pas endommager le câblage électrique ou d'autres équipements non apparents lors de la découpe ou du perçage du mur ou du plafond.
- Les ventilateurs avec conduits doivent toujours évacuer l'air à l'extérieur.
- Ne pas utiliser cet appareil avec une commande de vitesse à semi-conducteur additionnelle.
- Afin de réduire les risques d'incendie, n'utilisez que des conduits de métal.
- Cet appareil doit être mis à la terre.
- Il est recommandé de porter des lunettes et des gants de sécurité lors de l'installation, de l'entretien ou de la réparation de cet appareil.
- Lorsqu'une réglementation est en vigueur et qu'elle comporte des exigences d'installation et/ou de certification plus restrictives, lesdites exigences prévalent sur celles de ce document et l'installateur entend s'y conformer à ses frais.

▲ AVERTISSEMENT

AFIN DE RÉDUIRE LES RISQUES DE FEU DE CUISINIÈRE :

- Ne jamais laisser les appareils de cuisson sans surveillance lorsqu'ils sont réglés à feu vif. Les débordements engendrent de la fumée et des déversements graisseux pouvant s'enflammer. Chauffez l'huile lentement, à feu doux ou moyen.
- Mettez toujours la hotte en marche lorsque vous cuisinez à feu vif ou que vous cuisinez des mets flambés (par ex. : crêpes Suzette, cerises jubilé, steaks au poivre flambés).
- Nettoyez régulièrement la roue du ventilateur. Ne laissez pas la graisse s'accumuler sur le ventilateur, le filtre ou les conduits d'évacuation.
- Utilisez le bon format de casserole. Servez-vous toujours de casseroles et d'ustensiles appropriés à la dimension de la surface chauffante.

AFIN DE RÉDUIRE TOUT RISQUE DE BLESSURES LORS D'UN FEU DE CUISINIÈRE, SUIVEZ CES DIRECTIVES* :

- ÉTOUFFEZ LES FLAMMES avec un couvercle hermétique, une tôle à biscuits ou un plateau métallique et ensuite, éteignez le brûleur. PRENEZ SOIN D'ÉVITER les brûlures. SI LES FLAMMES NE S'ÉTEIGNENT PAS IMMÉDIATEMENT, ÉVACUEZ LES LIEUX ET APPELEZ LES POMPIERS.
 - NE PRENEZ JAMAIS UNE CASSEROLE EN FLAMMES DANS VOS MAINS. Vous pourriez vous brûler.
 - N'UTILISEZ PAS D'EAU, incluant un linge à vaisselle ou une serviette mouillée, cela pourrait occasionner une violente explosion de vapeur.
 - N'utilisez un extincteur QUE DANS LE CAS OÙ :
 - Vous possédez un extincteur de classe ABC et vous en connaissez le fonctionnement.
 - Le feu est petit et limité à l'endroit où il a débuté.
 - Les pompiers ont été avisés.
 - Vous pouvez combattre l'incendie en ayant accès à une sortie de secours.
- * Tirées du *Kitchen Fire Safety Tips* publié par la NFPA.

▲ ATTENTION

- Pour une utilisation résidentielle et à l'intérieur seulement.
- Afin de réduire les risques d'incendie et évacuer l'air adéquatement, assurez-vous que les conduits évacuent l'air à l'extérieur. Ne pas évacuer l'air dans des espaces restreints comme l'intérieur des murs ou plafond ou dans le grenier, faux plafond ou garage.
- Soyez prudents lors de l'utilisation d'agents nettoyants ou de détergents.
- Évitez d'utiliser sous la hotte des produits alimentaires pouvant s'enflammer.
- Pour usage domestique seulement. Ne pas utiliser pour évacuer des vapeurs ou des matières dangereuses ou explosives.
- Afin d'éviter tout dommage au moteur et de débalancer ou de rendre bruyante la roue du moteur, garder votre appareil à l'abri des poussières de gypse et de construction/rénovation, etc.
- Le moteur de votre hotte possède une protection thermique qui éteindra automatiquement le moteur s'il devient surchauffé. Le moteur redémarrera automatiquement une fois refroidi. Si le moteur continue à arrêter et à redémarrer, faites-le vérifier.
- Pour une meilleure évacuation des odeurs de cuisson, le bas de votre hotte devrait être situé à UN MINIMUM de 24 po et à un maximum recommandé de 30 po au-dessus de la surface de cuisson.
- À utiliser seulement avec une trousse de raccordement de cordon de hotte vérifiée et approuvée pour emploi avec ce modèle de hotte.
- Veillez consulter l'autocollant apposé à l'intérieur de la hotte pour plus d'information ou autres exigences.

Pour obtenir l'énoncé de garantie, la liste de pièces de remplacement, ainsi que les instructions détaillées, inscrire votre numéro de modèle sur notre site Internet ou balayer le code QR.

Pour obtenir une copie papier des instructions détaillées, appelez-nous.

Aux États-Unis	Au Canada
bestrangehoods.com	bestrangehoods.ca
1 800 558-1711	1 800 567-3855



Pour connaître les lignes directrices de l'ADA (*Americans with Disabilities Act*) concernant l'installation, veuillez entrer votre numéro de modèle dans notre site Internet.

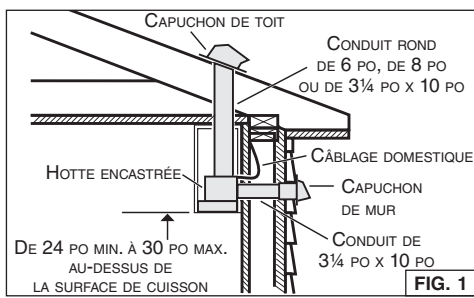
OUTILS ET ACCESSOIRES RECOMMANDÉS

- Ruban à mesurer
- Tournevis Phillips n° 2
- Tourne-écrou ou douille 3/8 po
- Scie (pour la découpe des trous dans l'armoire)
- Tournevis à lame plate (pour dégager les ouvertures préamorcées)
- Cisailles à tôle
- Pinces
- Ruban adhésif de métal
- Ciseaux (pour couper le ruban adhésif de métal)
- Crayon
- Pince à dénuder
- Deux capuchons de connexion appropriés
- Serre-fils de 7/8 po de diamètre (pour fixer le câble d'alimentation électrique domestique à la hotte)
- Ensembles de bandes protectrices HADTBN24 (pour 24 po), HADTBN30 (pour 30 po) ou HADTBN36 (pour 36 po) (optionnel)

1. INSTALLATION DES CONDUITS (INST. AVEC CONDUITS SEULEMENT)

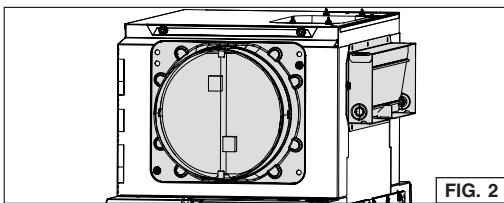
NOTE : Afin de réduire les risques d'incendie, n'utilisez que des conduits de métal.

- Établir où le conduit passera entre la hotte et l'extérieur (FIG. 1).
- Un conduit droit et court permettra à votre hotte de fonctionner plus efficacement.
- Un conduit long avec des coudes et des transitions réduira la performance de votre hotte. En utiliser le moins possible. Pour une grande distance, utiliser un conduit d'évacuation d'air au diamètre plus grand.
- Installer un capuchon de toit ou de mur (vendus séparément). Relier le conduit en métal au capuchon, puis acheminer le conduit jusqu'à l'emplacement de la hotte. Sceller hermétiquement les raccords à l'aide de ruban adhésif de métal de 2 po de largeur.



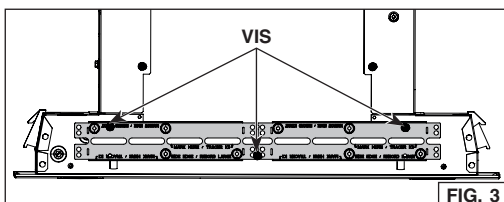
2. RETRAIT DES ADAPTATEURS/VOLETS

Détacher et mettre de côté l'adaptateur/volet de 3/4 po x 10 po et l'adaptateur/volet de 6 po rond (en gris dans la FIG. 2) de l'arrière et d'un côté de la hotte encastrée en retirant leurs 2 vis de retenue. Se défaire des vis.

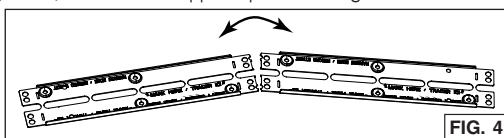


3. RETRAIT DES SUPPORTS D'ARMOIRE

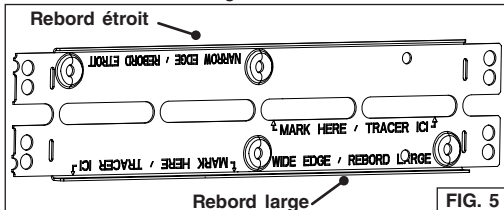
Détacher les supports d'armoire (en gris dans la FIG. 3) de l'arrière de la hotte encastrée en retirant ses 3 vis de retenue. Se défaire des vis.



Plier les supports vers le haut et le bas jusqu'à se qu'ils se détachent l'un de l'autre (FIG. 4). Garder les supports pour un usage éventuel.



NOTE : Les deux supports d'armoire sont munis d'un rebord large et d'un rebord étroit (FIG. 5), pour couvrir toutes les configurations d'installation, selon les largeurs d'armoire.



4. PRÉPARATION DE L'ARMOIRE

▲ AVERTISSEMENT

L'armoire doit être fixée aux montants ou autre structure derrière la cloison pour supporter le poids de cet appareil. Ne pas suivre cette directive peut entraîner des blessures corporelles ou des dommages à la surface de cuisson ou au comptoir de cuisine.

NOTES : A. La hotte doit être installée dans l'armoire.

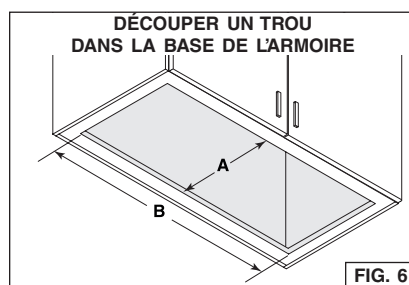
B. La hotte doit être installée centrée latéralement, au-dessus de la surface de cuisson.

C. Pour la position d'arrière vers l'avant, l'appareil doit être monté selon les codes de construction locaux.

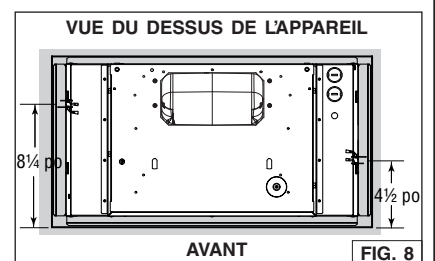
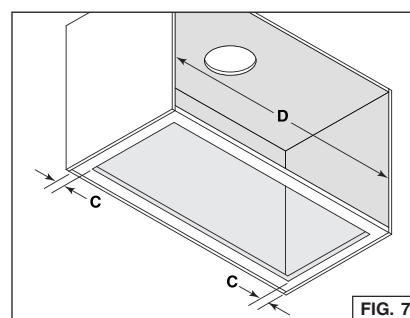
- Découper un trou dans la base de l'armoire aux dimensions indiquées (FIG. 6).
- Mesurer ce qu'il reste de matériau des côtés de la base de l'armoire (C) (FIG. 7), s'il subsiste 1/4 po ou plus, nul besoin d'utiliser les supports d'armoire fournis. Passer à l'étape 7 en page suivante.
- S'il reste moins de 1/4 po de matériau (C), retirer soigneusement ces bandes. Mesurer la largeur intérieure de l'armoire (D) (FIG. 7). Consulter le tableau ci-dessous pour savoir quelle configuration de rebords de support doit être utilisée.

APPAREIL	REBORD ÉTROIT	REBORD LARGE
HBN1246SS	D de 22-1/16 po à < 22-1/2 po	D de 22-1/2 po à 23 po
HBN1306SS	D de 28-1/16 po à < 28-1/2 po	D de 28-1/2 po à 29 po
HBN1366SS	D de 34-1/16 po à < 34-1/2 po	D de 34-1/2 po à 35 po

- Repérer les crochets *Ease of Install* sur l'appareil (distance donnée à partir du rebord avant, FIG. 8). Insérer temporairement l'appareil dans l'armoire et tout en retenant l'appareil, marquer sur les deux côtés de l'armoire l'emplacement des crochets *Ease of Install* (illustré en E dans la FIG. 9). Retirer l'appareil.



- A = 10 1/4 po (tous les appareils)
- B = 22 1/16 po (HBN1246SS)
- B = 28 1/16 po (HBN1306SS)
- B = 34 1/16 po (HBN1366SS)

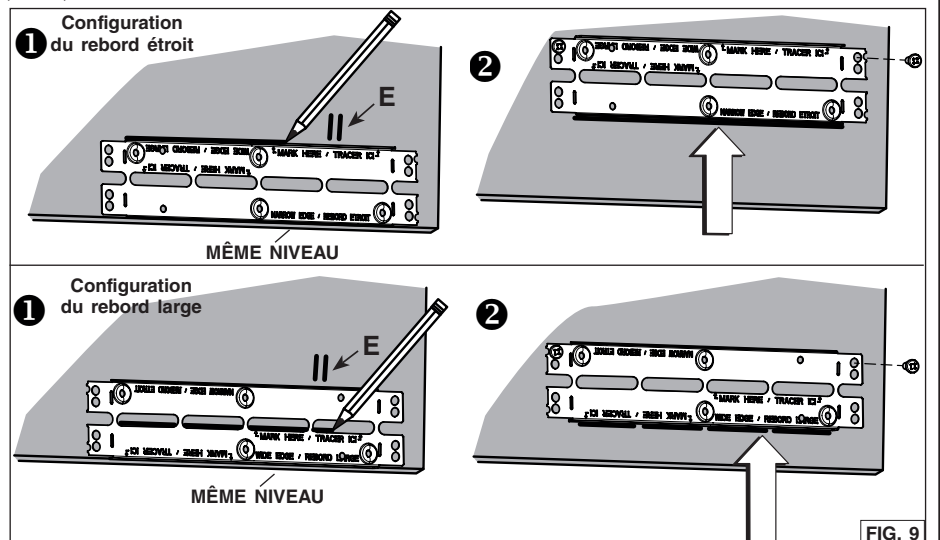


- Installer les supports d'armoire comme suit (FIG. 9) :

- Placer le support au même niveau que le bas du panneau droit de l'armoire, en centrant la marque de l'emplacement des crochets (E) entre les trous en relief inférieurs. Pour la configuration du rebord étroit, tracer une ligne sur le dessus du support. Pour la configuration du rebord large, tracer une ligne à la base des fentes centrales.
- Monter le support au même niveau que la ligne tracée. Fixer le support au panneau de côté de l'armoire à l'aide de 2 vis à bois n° 8 x 5/8 po (incluses dans le sac de pièces) dans les trous supérieurs.

NOTE : Ne pas utiliser les trous en relief pour fixer le support.

- Répéter les étapes 1 à 2 pour le panneau gauche.



4. PRÉPARATION DE L'ARMOIRE (SUITE)

6. Mesurer la distance entre les rebords du bas des deux supports (F) (FIG. 10). Le tableau ci-dessous indique les distances appropriées nécessaires :

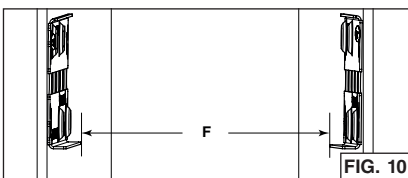


FIG. 10

APPAREIL	REBORD ÉTROIT	REBORD LARGE
HBN1246SS	F De 21-7/8 po à < 22-1/16 po	F De 22-1/16 po à 22-5/16 po
HBN1306SS	F De 27-7/8 po à < 28-1/16 po	F De 28-1/16 po à 28-5/16 po
HBN1366SS	F De 33-7/8 po à < 34-1/16 po	F De 34-1/16 po à 34-5/16 po

Si la distance mesurée est trop grande, visser, dans chacun des trous en relief inférieurs des supports, 2 vis à métaux n° 8-32 x 1/4 po; ceci fera plier légèrement la partie inférieure des supports (FIG. 11). Visser les deux supports jusqu'à l'obtention de la distance appropriée.

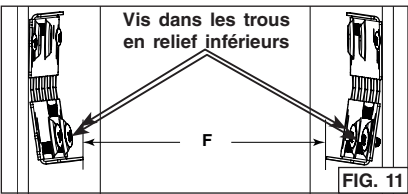


FIG. 11

7. Optionnel

Sept différents formats de bandes protectrices (vendues séparément) conviennent à des armoires allant jusqu'à 15 po de profondeur (pour HBN1246SS : HADTBN24, pour HBN1306SS : HADTBN30, pour HBN1366SS : HADTBN36). Choisir la bande qui peut mieux couvrir la lisière arrière de l'armoire. Utiliser 4 vis à bois à tête bombée n° 6 x 1/2 po (incluses dans l'ensemble optionnel) pour la fixer (FIG. 12).

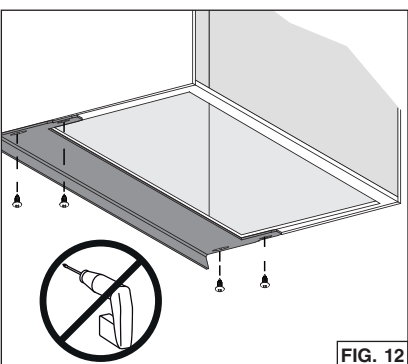


FIG. 12

ATTENTION

Ne jamais utiliser un tournevis électrique ou une perceuse pour visser la bande protectrice à la lisière arrière de l'armoire, se servir d'un tournevis standard.

INSTALLATION EN ÉVACUATION HORIZONTALE SEULEMENT

Cette hotte encastrable est configurée en usine pour évacuer verticalement; toutefois, il est possible qu'elle évacue horizontalement (avec conduit de 3/4 po x 10 po seulement).

8. Découper le trou pour l'évacuation horizontale dans le mur arrière de l'armoire aux dimensions indiquées (FIG. 13).

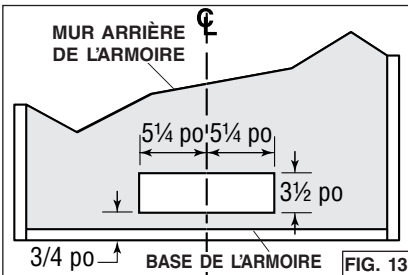


FIG. 13

5. PRÉPARATION DE L'APPAREIL

TOUTES LES INSTALLATIONS

1. Le cas échéant, retirer toute présence de pellicule de plastique protectrice sur la hotte ou ses pièces.

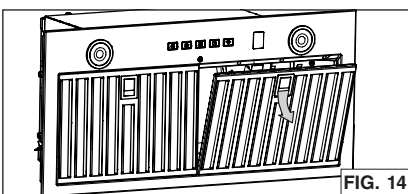


FIG. 14

3. Détacher le couvercle du compartiment électrique (en gris dans la FIG. 15) de l'intérieur de l'appareil en retirant sa vis de retenue. Retirer le sac de pièces de l'arrière du couvercle. Mettre de côté le sac de pièces et le couvercle avec sa vis.

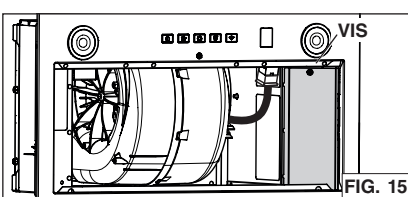


FIG. 15

4. Perforer une des deux ouvertures préamorcées (en gris dans la FIG. 16). Installer un serre-fils approprié de 7/8 po de diamètre (non inclus).
NOTE : L'ensemble de cordon d'alimentation HCK44 (optionnel) peut être utilisé au lieu du câble d'alimentation électrique domestique. Voir les instructions incluses avec l'ensemble de cordon d'alimentation HCK44.

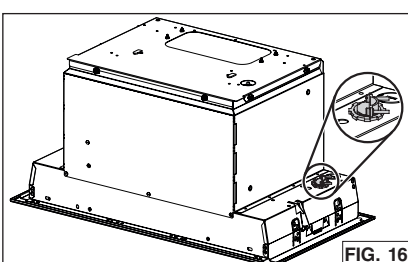


FIG. 16

INSTALLATION EN ÉVACUATION HORIZONTALE SEULEMENT

5. Retirer et se débarrasser de la vis enclouée dans la FIG. 17.
NOTE : Cette vis peut être présente ou pas.

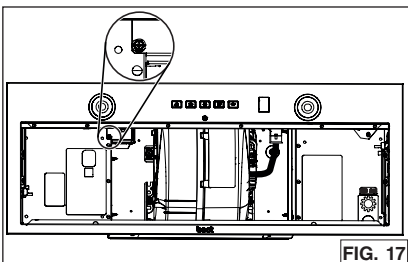


FIG. 17

5. PRÉPARATION DE L'APPAREIL (SUITE)

INSTALLATION EN ÉVACUATION HORIZONTALE SEULEMENT (SUITE)

6. Débrancher le câble du ventilateur de son connecteur situé sur le châssis. Démontez le châssis de la hotte en retirant ses 4 vis de retenue (deux par côté, enclouées dans la FIG. 18) de la coque de l'appareil. Mettre de côté le châssis avec ses vis.

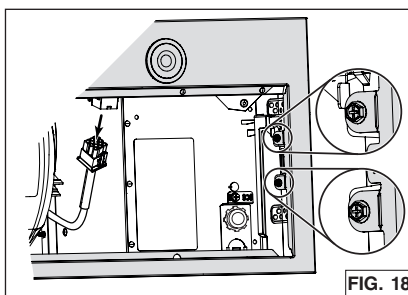


FIG. 18

7. Retirer les 6 vis (2 à l'avant et 2 par côté) retenant la plaque de support du ventilateur au dessus de la hotte (FIG. 19). Soulever soigneusement cette plaque avec le ventilateur et la mettre de côté. La plaque avec le ventilateur sera réinstallée plus tard dans l'appareil.

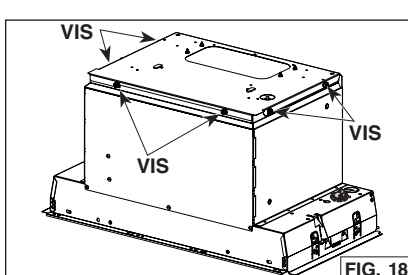


FIG. 18

8. Par l'intérieur de l'appareil, détacher la plaque arrière (en gris dans la FIG. 20) en retirant ses 2 écrous de retenue à l'aide d'une douille de 3/8 po de diamètre. Mettre de côté les écrous et la plaque.

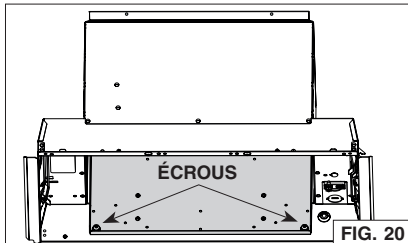


FIG. 20

9. Installer la plaque arrière sur le dessus de l'appareil, où se trouvait la plaque de support du ventilateur. La placer de façon à ce que les trous situés près des coins se trouvent à l'arrière de l'appareil. L'assembler au dessus de l'appareil à l'aide des 6 vis retirées précédemment à l'étape 7 (FIG. 21).

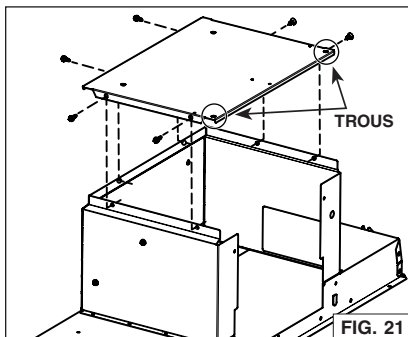


FIG. 21

INSTALLATION EN ÉVACUATION VERTICALE SEULEMENT

10. Pour un conduit rectangulaire, utiliser 2 vis à métaux n° 8-18 x 1/4 po (incluses) pour fixer l'adaptateur/volet de 3/4 po x 10 po (inclus) sur le dessus de l'appareil, par dessus l'ouverture d'évacuation du ventilateur (FIG. 22).

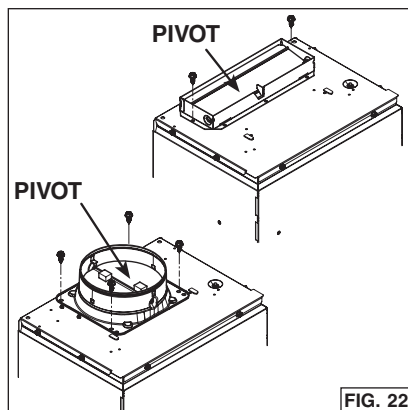


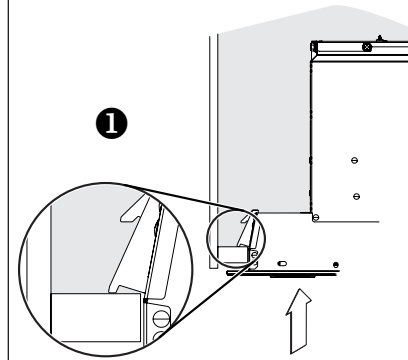
FIG. 22

NOTE : Le pivot du volet doit être placé vers l'avant de l'appareil. Pour un conduit rond, utiliser 4 vis à métaux n° 8-18 x 1/4 po (incluses) pour fixer l'adaptateur/volet inclus de 6 po rond (ou 8 po rond) sur le dessus de l'appareil, par dessus l'ouverture d'évacuation du ventilateur (FIG. 22, 6 po rond illustré).

NOTE : Le pivot du volet doit être parallèle aux côtés de la hotte.

6. INSTALLATION DE L'APPAREIL

1. Acheminer le câble d'alimentation électrique du panneau de distribution jusqu'à l'emplacement de l'appareil. Prévoir une longueur de 2 pi à l'intérieur de l'armoire. Passer le câble d'alimentation dans la hotte à travers le serre-fils de 7/8 po de diamètre préalablement installé.



NOTE : Non nécessaire si l'ensemble de cordon d'alimentation HCK44 est utilisé.

2. Insérer l'appareil dans l'armoire, jusqu'à ressentir un « clic » provenant des deux côtés de l'appareil, confirmant que les crochets *Ease of Install* s'appuient sur le dessus des côtés de la base de l'armoire ①, ou sur les rebords des supports d'armoire ② ou ③ (FIG. 23). Bouger l'appareil de gauche à droite, d'avant à l'arrière et le lever pour vérifier que les crochets *Ease of Install* retiennent l'appareil à l'intérieur de l'armoire.
NOTE : L'appareil dépassera un peu l'armoire jusqu'à ce qu'il soit vissé dans celle-ci.

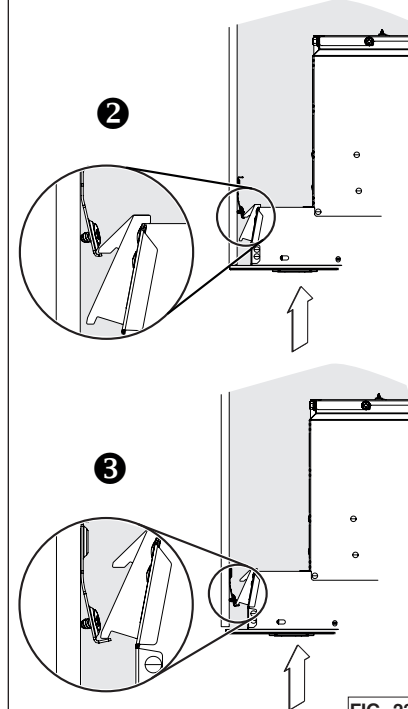


FIG. 23

6. INSTALLATION DE L'APPAREIL (SUITE)

NOTE : Si, pour quelque raison que ce soit, l'appareil devait être enlevé de l'armoire, il est possible de désengager les crochets *Ease of Install*. Pour ce faire, tout en retenant la hotte et en poussant sur un de ses côtés, lever simultanément les deux leviers des crochets *Ease of Install* (1 et 2, en gris dans la FIG. 24) de l'autre côté de la hotte jusqu'à ce que les crochets soient désengagés.

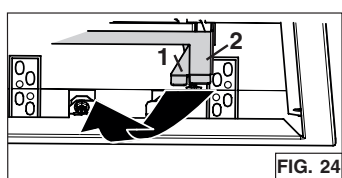


FIG. 24

3. Lever la hotte jusqu'à ce que son rebord s'appuie sur la base de l'armoire. Fixer la hotte à l'armoire à l'aide de 4 vis à bois n° 8 x 5/8 po incluses dans le sac de pièces (2 vis par côté). Utiliser les trous supérieurs ou inférieurs (1, 2, 3, 4, 5 ou 6) (FIG. 25).

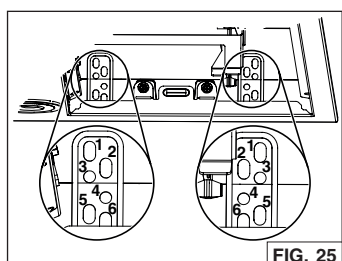


FIG. 25

AVERTISSEMENT

Les crochets *Ease of Install* retiennent la hotte TEMPORAIREMENT en place. La hotte DOIT ÊTRE fixée à l'armoire avec les 4 vis.

AVERTISSEMENT

Ne jamais se servir de cet appareil comme tablette.

INSTALLATION EN ÉVACUATION HORIZONTALE SEULEMENT

4. Par l'intérieur de la hotte, glisser l'adaptateur/volet de 3/4 po x 10 po dans le conduit horizontal, puis le fixer à la hotte à l'aide de ruban adhésif de métal tout autour de celui-ci (FIG. 26). S'assurer que le volet ouvre tel qu'il est illustré dans la vue de côté du volet.

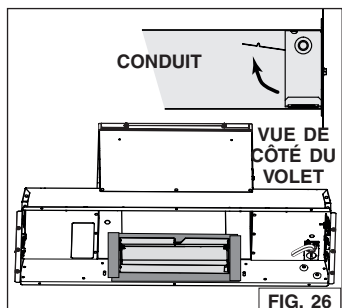


FIG. 26

5. Insérer le ventilateur avec sa plaque à l'intérieur de la hotte, à l'endroit où se trouvait la plaque arrière (A). Fixer la plaque à la hotte avec les 2 écrous retirés précédemment à l'étape 8 dans la section PRÉPARATION DE L'APPAREIL (B) (FIG. 27).

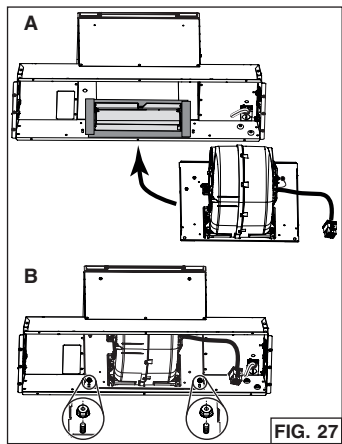


FIG. 27

6. Réinstaller le châssis sur la hotte et le fixer à la hotte à l'aide des 4 vis de retenue (deux par côté, enclouées dans la FIG. 28). Brancher le câble du ventilateur à son connecteur situé sur le châssis.

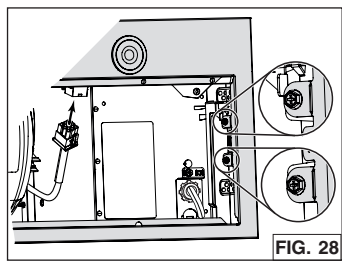


FIG. 28

7. RACCORDEMENT DU CONDUIT

INSTALLATION EN ÉVACUATION VERTICALE SEULEMENT

Installation avec conduit

Utiliser un conduit de métal rond de 6 po ou de 8 po, ou de 3/4 po x 10 po pour relier l'adaptateur/volet sur le dessus de la hotte au réseau de conduit (FIG. 29, 8 po rond non illustré). Sceller le joint avec du ruban adhésif de métal.

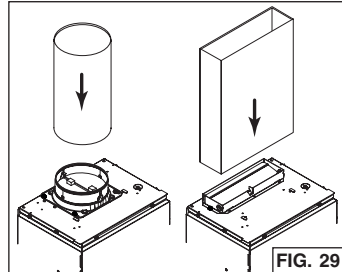


FIG. 29

Installation en recirculation

Un ensemble de recirculation est requis pour ce type d'installation (vendu séparément). Pour l'installation, suivre les directives incluses avec cet ensemble. Consulter le tableau ci-dessous pour connaître le modèle correspondant à l'appareil.

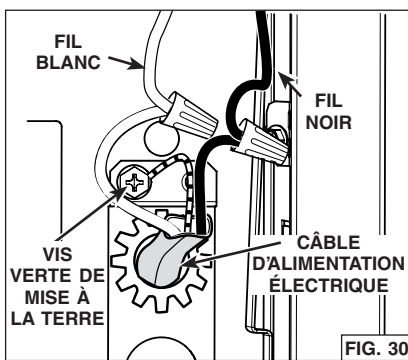
MODÈLE DE L'APPAREIL	MODÈLE D'ENSEMBLE DE RECIRCULATION
HBN1246SS	HARKBN24
HBN1306SS	HARKBN30
HBN1366SS	HARKBN36

8. BRANCHEMENT ÉLECTRIQUE

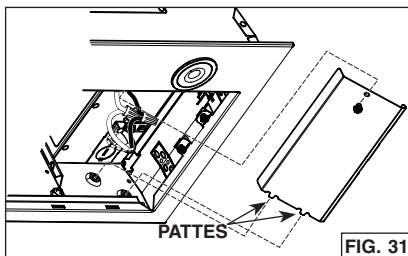
⚠ AVERTISSEMENT

Risque d'électrocution. Le raccordement électrique doit être effectué par du personnel qualifié conformément aux codes et aux standards en vigueur. Avant d'effectuer le branchement, coupez l'alimentation électrique au panneau de distribution et verrouillez-le pour éviter une mise en marche accidentelle.

- À l'aide de capuchons de connexion appropriés (non inclus), connecter les fils du câble d'alimentation électrique aux fils de la hotte comme suit : le fil NOIR au fil NOIR, le fil BLANC au fil BLANC et le fil VERT ou dénudé à la vis VERTE de mise à la terre (FIG. 30).



- Remettre en place le couvercle du compartiment électrique en s'assurant que les pattes du bas sont insérées dans leur emplacement surélevé. Le fixer à la hotte à l'aide de sa vis de retenue (FIG. 31).



ATTENTION

Prendre garde de ne pas pincer les fils lors de la remise en place du couvercle.

9. INSTALLATION DES FILTRES

Installation avec conduits

Remettre en place les filtres à chicanes hybrides.

Installation en recirculation

Attacher les filtres de recirculation (inclus avec l'ensemble de recirculation HARKBN24, HARKBN30 ou HARKBN36) à l'endos des filtres à chicanes hybrides à l'aide des clips (incluses avec les filtres de recirculation). Pour commander de nouveaux filtres de recirculation, demander la pièce n° S99010464-124 pour le modèle HBN1246SS, la pièce n° S99010464-130 pour le modèle HBN1306SS ou n° S99010464-136 pour le modèle HBN1366SS.

10. ENTRETIEN

TOUJOURS COUPER L'ALIMENTATION ÉLECTRIQUE AVANT D'EFFECTUER UNE QUELCONQUE OPÉRATION SUR CET APPAREIL.

Filtres à chicanes hybrides

Les filtres à chicanes hybrides doivent être nettoyés fréquemment. Utiliser une solution d'eau chaude et de détergent. Les filtres sont lavables au lave-vaisselle. Nettoyer les filtres au lave-vaisselle à l'aide d'un détergent sans phosphate. L'utilisation d'un détergent avec phosphates ainsi que les conditions locales de l'eau peuvent entraîner une décoloration des filtres, sans toutefois affecter sa performance. Cette décoloration n'est pas couverte par la garantie. Afin de prévenir ou de limiter la décoloration, laver les filtres à la main avec un détergent doux.

Filtres de recirculation

Les filtres de recirculation doivent être remplacés tous les 3 à 6 mois. Les remplacer plus souvent si vos habitudes de cuisson génèrent plus de graisses, comme par exemple la friture ou les aliments sautés au wok.

11. NETTOYAGE DE L'ACIER INOXYDABLE

À faire :

- Laver régulièrement les surfaces à l'aide d'un chiffon propre imbibé d'eau chaude et de savon doux ou de détergent liquide à vaisselle.
- Toujours nettoyer dans le sens du polissage.
- Toujours bien rincer avec de l'eau claire (2 à 3 fois) et essuyer complètement.
- Un nettoyant domestique conçu spécialement pour l'acier inoxydable peut aussi être utilisé.

À ne pas faire :

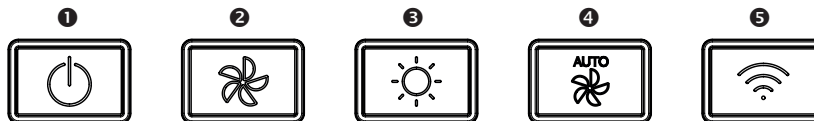
- Ne pas utiliser de laine d'acier ou d'acier inoxydable ou tout autre grattoir pour enlever la saleté tenace.
- Ne pas utiliser une poudre nettoyante abrasive ou rugueuse.
- Ne pas laisser la saleté s'accumuler.
- Ne pas laisser la poussière de plâtre ou tout autre résidu de construction atteindre l'appareil. Couvrir l'appareil pour la durée des travaux afin de s'assurer qu'aucune poussière ne l'atteigne.

À éviter lors du choix d'un détergent :

- Tous produits nettoyants contenant des **agents de blanchiment**; ils attaqueront l'acier inoxydable.
- Tous produits contenant du **chlorure**, du **fluorure**, de l'**iodure** ou du **bromure**; ils détérioreront rapidement les surfaces.
- Tous produits combustibles utilisés pour le nettoyage : **acétone**, **alcool**, **éther**, **benzène**, etc.; ils sont grandement explosifs et ne devraient jamais être utilisés près d'une cuisinière.

12. FONCTIONNEMENT

Commande à effleurement



NOTES : 1. À chaque fois qu'on appuie sur une touche, un bip est émis pour confirmer la commande. Pour désactiver, lorsque le ventilateur et l'éclairage sont éteints, appuyer durant 5 secondes sur la touche Éclairage (3). Pour réactiver, lorsque le ventilateur et l'éclairage sont éteints, appuyer une autre fois durant 5 secondes sur la touche Éclairage (3).

- À chaque fois qu'on appuie sur une touche, son rétroéclairage s'allume. Quand une fonction est désactivée, le rétroéclairage de la touche correspondante s'éteint.

1 MARCHE/ARRÊT principal : Appuyer sur cette touche pour allumer l'éclairage et démarrer le ventilateur à la dernière intensité sauvegardée. Le rétroéclairage de cette touche, ainsi que celui des touches du ventilateur et de l'éclairage s'allumeront. Appuyer sur cette touche lorsque l'éclairage ou le ventilateur est en marche sauvegarde la vitesse du ventilateur et le niveau d'éclairage avant de les éteindre.

Lorsque le ventilateur ou l'éclairage est activé en appuyant directement sur leur touche respective, le rétroéclairage de la touche MARCHE/ARRÊT principal s'allume aussi. Lorsque l'éclairage et le ventilateur sont éteints (à l'aide de leur touche respective), le rétroéclairage de la touche MARCHE/ARRÊT principal s'éteint.

2 Ventilateur : Lorsque le ventilateur est arrêté, appuyer sur cette touche pour activer le ventilateur à la dernière vitesse sauvegardée. Si aucune vitesse n'a été sauvegardée, le ventilateur sera réglé en BASSE vitesse. Pour changer la vitesse, appuyer sur la touche jusqu'à l'obtention de la vitesse désirée : de BASSE, à MOYENNE-BASSE, à MOYENNE-HAUTE, à HAUTE vitesse, à ARRÊT.

Lorsque le ventilateur est EN MARCHÉ (peu importe la vitesse), une pression longue sur la touche arrête le ventilateur et sa dernière vitesse est gardée en mémoire.

Rappel d'entretien des filtres : Lorsque l'utilisateur arrête le ventilateur et que le rétroéclairage de la touche ventilateur clignote lentement durant 30 secondes, ça signifie qu'il est temps de nettoyer la hotte et ses filtres (voir la section Entretien). Le clignotement se produira à toutes les fois où l'utilisateur arrêtera le ventilateur (et que la minuterie n'aura pas été remise à zéro).

Une fois le nettoyage effectué, remettre à zéro la minuterie comme suit : lorsque le ventilateur est arrêté et durant la période de clignotement de 30 secondes, appuyer longuement sur la touche ventilateur jusqu'à l'arrêt du clignotement du rétroéclairage.

3 Éclairage : Appuyer sur cette touche pour allumer les lumières à la dernière intensité d'éclairage sauvegardée. Si aucune intensité d'éclairage n'a été sauvegardée, l'éclairage sera réglé en BASSE intensité. Pour changer l'intensité d'éclairage, appuyer sur la touche jusqu'à l'obtention de l'intensité désirée (de BASSE, à MOYENNE, à HAUTE intensité, à ÉTEINT).

Lorsque l'éclairage est ALLUMÉ, une pression longue sur la touche ÉTEINT les lumières et la dernière intensité est gardée en mémoire. La prochaine fois que les lumières seront allumées (avec la touche d'éclairage ou avec la touche MARCHE/ARRÊT principal), elles éclaireront à la dernière intensité sauvegardée.

4 Auto (SMART SENSE) : Lorsque le ventilateur est ARRÊTÉ, appuyer sur cette touche pour activer le mode Auto. Lorsqu'une activité de cuisson est détectée, cette fonction activera automatiquement le ventilateur et réglera sa vitesse selon la chaleur détectée au-dessus de la surface de cuisson. Le ventilateur s'arrêtera automatiquement lorsqu'il n'y aura plus assez de chaleur détectée.

Lorsque la hotte est arrêtée durant une période de 3 minutes, le rétroéclairage de la touche Auto s'éteindra automatiquement. Appuyer sur n'importe quelle touche réallumera son rétroéclairage.

Pour arrêter le mode Auto, appuyer longuement sur cette touche jusqu'à ce que le rétroéclairage s'éteigne.

Réglage manuel de la vitesse en mode Auto :

Lorsque le mode Auto est activé, il est possible de modifier manuellement la vitesse du ventilateur à l'aide de la touche du ventilateur. Le rétroéclairage de la touche s'éteindra pour indiquer que le mode Auto est en pause (jusqu'à ce que le ventilateur soit ARRÊTÉ manuellement). Lorsque la chaleur est suffisamment basse sur la surface de cuisson, le mode Auto sera automatiquement rétabli et son rétroéclairage s'allumera.

Caractéristiques du mode Auto :

- Le capteur du mode Auto mesure la température sur la surface de cuisson émise par la cuisson.
- La vitesse du ventilateur peu augmenter lors du retrait d'une casserole ou d'une poêle d'une surface de cuisson encore chaude. Ce n'est pas inhabituel car le capteur détecte une élévation de température.
- Le ventilateur peut s'ARRÊTER lors d'une cuisson à feu très doux, particulièrement avec des appareils à induction.
- Le ventilateur peut s'ARRÊTER temporairement lors de l'ajout d'aliments froids ou congelés dans la casserole/poêle. Lorsque les aliments ont réchauffé suffisamment, le ventilateur REDÉMARRERA automatiquement.
- Le ventilateur peut démarrer automatiquement lors de l'ouverture de la porte d'un four chaud ou lorsque la fonction auto-nettoyante du four est en marche.
- Il peut se produire un court délai avant que le ventilateur DÉMARRE lors du début de cuisson, le temps que la casserole/poêle se réchauffe.
- Une fois la cuisson terminée, il est normal que le ventilateur demeure EN MARCHÉ pour une courte période de temps jusqu'à ce que la surface de cuisson/casserole/poêle refroidisse.

- 5 WiFi®/Bluetooth® :** Voir en page suivante.

HEAT SENTRY^{MC}

Votre appareil est équipé d'un thermostat HEAT SENTRY^{MC}.

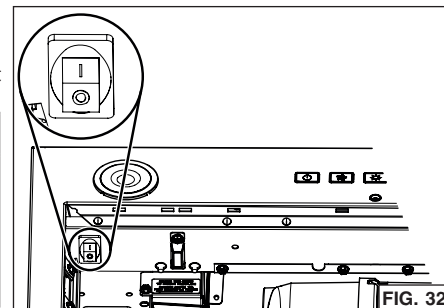
Ce thermostat est un dispositif qui activera ou augmentera la vitesse du ventilateur s'il détecte une chaleur excessive au-dessus de la surface de cuisson.

- Si le ventilateur est en ARRÊT, il activera le ventilateur en HAUTE vitesse.
- Si le ventilateur est en MARCHÉ à une vitesse plus basse, il activera le ventilateur en HAUTE vitesse. Lorsque la température revient à la normale, le ventilateur retournera à son réglage initial.

NOTE : Lorsque le Heat Sentry est activé, le rétroéclairage de la touche du ventilateur clignote lentement et la vitesse du ventilateur ne peut être changée

⚠ AVERTISSEMENT

Le thermostat HEAT SENTRY peut activer le ventilateur même lorsqu'il est arrêté. Lorsque ça se produit, il est impossible d'arrêter le ventilateur avec sa touche. Si vous devez arrêter le ventilateur, régler l'interrupteur principal situé derrière le filtre, du côté interne du châssis de la hotte, en position ARRÊT (s'il est possible de le faire sécuritairement). Voir le médaillon de la FIG. 32.



Déclarations FCC/IC

Contient FCC ID : 2AC7Z-ESP32WROVERE
Contient IC : 21098- ESPWROVERE

DÉCLARATION DE CONFORMITÉ FCC

Cet appareil est conforme à la partie 15 des règles de la FCC. Son fonctionnement est soumis aux deux conditions suivantes :

- (1) cet appareil ne doit pas provoquer d'interférences nuisibles, et (2) il doit accepter toute interférence reçue, y compris les interférences pouvant entraîner un mauvais fonctionnement.

AVIS D'INDUSTRIE CANADA

Cet appareil est conforme aux normes d'exemption de licence RSS d'Industrie Canada. Son utilisation est soumise aux deux conditions suivantes :

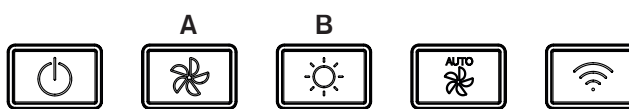
- (1) cet appareil ne doit pas provoquer d'interférences et (2) cet appareil doit accepter toute interférence, y compris les interférences qui peuvent causer un mauvais fonctionnement de l'appareil.

ACTIVATION DE L'OPTION CODE READY^{MC} TECHNOLOGY

L'option Code Ready Technology permet d'abaisser le débit du ventilateur réglé en usine de 600 pi³/min à un maximum de 400 pi³/min ou 300 pi³/min. L'activation de l'option CRT réduira le débit maximal du ventilateur, afin que celui-ci ne dépasse pas les limites permises par les codes MUA (Make-Up Air), pour satisfaire aux exigences de certains codes du bâtiment. Ne pas tenter de modifier le débit du ventilateur, à moins que ce changement soit requis par un code. Cette modification affectera la performance de votre produit.

- NOTES IMPORTANTES :**
- Une fois modifié, le débit du ventilateur NE POURRA ÊTRE RÉTABLI.
 - Le CRT ne peut être réglé que durant les 5 premières minutes de l'arrivée du courant à la hotte.
 - Une interruption de courant à la hotte ne désactivera pas l'option CRT.
 - Le ventilateur et l'éclairage doivent être éteints.

PROCÉDURE CRT



- Régler l'interrupteur principal (situé derrière les filtres) en position MARCHÉ, puis appuyer simultanément sur les touches du ventilateur (A) et de l'éclairage (B) durant 5 secondes; le rétroéclairage des touches du ventilateur (A) et de l'éclairage (B) clignoteront pour indiquer que la procédure CRT est enclenchée.

DÉBIT MAXIMUM DE 400 pi³/MIN

- Pour régler le débit maximal à 400 pi³/min, appuyer sur la touche du ventilateur (A) durant 5 secondes, puis, relâcher la pression; le rétroéclairage de la touche du ventilateur clignotera pour indiquer que le débit de 400 pi³/min a été choisi (le rétroéclairage de la touche de l'éclairage (B) sera éteint).
- Appuyer une deuxième fois sur la touche du ventilateur (A) durant 5 secondes, puis relâcher pour confirmer la sélection; le rétroéclairage de la touche du ventilateur clignotera deux fois rapidement et un double bip se fera entendre. La commande retournera à son fonctionnement normal.
- Repérer l'étiquette CRT située près de l'étiquette de certification HVI, à l'intérieur de la hotte, derrière les filtres, et y cocher la case appropriée (400 pi³/min).

DÉBIT MAXIMUM DE 300 pi³/MIN

- Pour régler le débit maximal à 300 pi³/min, appuyer sur la touche de l'éclairage (B) durant 5 secondes, puis, relâcher la pression; le rétroéclairage de la touche de l'éclairage clignotera pour indiquer que le débit de 300 pi³/min a été choisi (le rétroéclairage de la touche du ventilateur (A) sera éteint).
- Appuyer une deuxième fois sur la touche de l'éclairage (B) durant 5 secondes, puis relâcher pour confirmer la sélection; le rétroéclairage de la touche de l'éclairage clignotera deux fois rapidement et un double bip se fera entendre. La commande retournera à son fonctionnement normal.
- Repérer l'étiquette CRT située près de l'étiquette de certification HVI, à l'intérieur de la hotte, derrière les filtres, et y cocher la case appropriée (300 pi³/min).

WI-FI/BLUETOOTH®



Utiliser cette touche pour jumeler la hotte (via Bluetooth®) à un appareil intelligent et à la connecter à votre réseau Wi-Fi domestique, ou désactiver le Wi-Fi/Bluetooth.

ACTIVATION DU MODE DE JUMELAGE

Avant de commencer, s'assurer que le ventilateur et les lumières sont ÉTEINTS.

Appuyer sur la touche durant 3 secondes pour amorcer le processus de jumelage, si la fonction Wi-Fi/Bluetooth était ARRÊTÉE, elle se REACTIVERA. Le rétroéclairage de la touche clignotera (15 sec.) pour indiquer que l'appareil est prêt à être jumelé.

FONCTIONALITÉ WI-FI/BLUETOOTH

Pour ARRÊTER la fonction Wi-Fi/Bluetooth, appuyer durant 3 secondes sur la touche. Lorsque son rétroéclairage clignote, appuyer sur la touche MARCHE/ARRÊT principal (●) durant 3 secondes. La fonction Wifi/Bluetooth s'ARRÊTERA et le rétroéclairage de la touche s'ÉTEINDRA. Pour REACTIVER la fonction Wi-Fi/Bluetooth, appuyer sur la touche durant 3 secondes.

Lorsque la hotte est arrêtée durant une période de 3 minutes, le rétroéclairage de la touche W-Fi-Bluetooth s'éteindra automatiquement. Appuyer sur n'importe laquelle touche rallumera son rétroéclairage.

RÉINITIALISATION WI-FI/BLUETOOTH

Pour réinitialiser la connectivité Wi-Fi/ Bluetooth (effacer les dispositifs sauvegardés et déconnecter du réseau Wi-Fi), appuyer sur la touche durant 3 secondes. Lorsque le rétroéclairage clignote, appuyer encore durant 10 secondes.

CE QU'IL FAUT POUR CONNECTER VOTRE APPAREIL WI-FI/BLUETOOTH

Avant de connecter votre hotte au réseau Wi-Fi, vous aurez besoin :

- D'un appareil intelligent muni du plus récent système d'exploitation iOS ou Android
- Que cet appareil intelligent ait accès à l'internet et que le Wi-Fi et le Bluetooth soient activés
- Que cet appareil intelligent se trouve à l'intérieur de 5 mètres (16 pi) de la hotte
- Que la hotte soit à l'intérieur du périmètre du signal Wi-Fi de votre réseau domestique
- Du nom et du mot de passe de votre réseau Wi-Fi domestique
- Pas d'autre appareil intelligent activé Bluetooth dans les environs.

CONNEXION DE VOTRE APPAREIL AU WI-FI/BLUETOOTH

1. Télécharger l'application Best Kitchen.



2. Suivre les instructions de l'application.

3. Balayer le code QR ci-dessous pour obtenir plus de détails sur l'installation et l'utilisation de l'application.



Apple et le logo Apple sont des marques de Apple Inc., enregistrées aux É.-U. et dans d'autres pays.

App Store est une marque de service d'Apple Inc., enregistrée aux É.-U. et dans d'autres pays.

Google Play et le logo Google Play sont des marques de commerce de Google LLC.

Le mot servant de marque et les logos *Bluetooth*® sont des marques déposées appartenant à Bluetooth® SIG, Inc. et sont utilisés sous licence par Best. Les autres marques de commerce et appellations commerciales sont celles de leurs propriétaires respectifs.

UTILISATION DE VOTRE APPAREIL CONNECTÉ

Une fois votre hotte connectée convenablement, vous pouvez profiter de toutes ses fonctionnalités par l'application.

Même si vous n'êtes pas dans l'entourage de la hotte, vous pouvez la contrôler par l'appli à l'aide de votre réseau Wi-Fi.

COMMANDE VOCALE

Vous pouvez contrôler votre hotte via votre assistant vocal personnel (Alexa ou Google Home).

UTILISATION DE L'APPLI ALEXA OU HAUT-PARLEUR OU ÉCRAN ALEXA

Il est possible de renommer votre hotte à l'aide de l'appli Alexa. Garder en tête que le nouveau nom ne sera reconnu que par Alexa seulement.

Voici quelques commandes vocales courantes à utiliser avec Alexa pour contrôler votre hotte :

Hotte

Alexa, ALLUME la hotte

Alexa, ÉTEINS la hotte

Ventilateur

Alexa, ALLUME le ventilateur de la hotte

Alexa, ÉTEINS le ventilateur de la hotte

Alexa, mets le ventilateur de la hotte à/sur un

Alexa, mets le ventilateur de la hotte à/sur deux

Alexa, mets le ventilateur de la hotte à/sur trois

Alexa, mets le ventilateur de la hotte à/sur quatre

Éclairage

Alexa, ALLUME l'éclairage de la hotte

Alexa, ÉTEINS l'éclairage de la hotte

Alexa, mets l'éclairage de la hotte à/sur un

Alexa, mets l'éclairage de la hotte à/sur deux

Alexa, mets l'éclairage de la hotte à/sur trois

UTILISATION DE L'ASSISTANT PERSONNEL, HAUT-PARLEUR OU ÉCRAN, DE GOOGLE

Dites « OK Google » et Google commencera à écouter vos commandes. Voici quelques commandes vocales courantes à utiliser avec Google pour contrôler votre hotte :

Range hood

Hey Google, turn ON the range hood

Hey Google, turn the range hood ON

Hey Google, turn OFF the range hood

Hey Google, turn the range hood OFF

Fan:

Hey Google, turn ON the range hood fan

Hey Google, turn OFF the range hood fan

Hey Google, set the range hood fan speed to one

Hey Google, set the range hood fan speed to two

Hey Google, set the range hood fan speed to three

Hey Google, set the range hood fan speed to four

Lights

Hey Google, turn ON the range hood lights

Hey Google, turn OFF the range hood lights

Hey Google, set the range hood lights to one

Hey Google, set the range hood lights to two

Hey Google, set the range hood lights to three

NOTE: Instructions en français à venir.

MISE À JOUR DU MICROPROGRAMME

Des mises à jour périodiques du microprogramme vous assurent de pouvoir profiter du meilleur de votre appareil. Vous pourrez explorer de nouvelles caractéristiques au fur et à mesure qu'elles seront développées. Un compte d'utilisateur Best doit être créé afin de pouvoir bénéficier de ces mises à jour.

Lorsque des mises à jours sont disponibles, vous en serez avisé via l'application. Nous recommandons d'installer les mises à jour dès qu'elles sont disponibles; ça ne prend que quelques minutes. Pour profiter des mises à jour, vous aurez besoin que :

- la hotte soit connectée à votre réseau domestique Wi-Fi
- l'application Best kitchen soit installée et configurée convenablement dans votre appareil intelligent.

BALAYER CE CODE QR
POUR ACCÉDER À LA
VERSION COMPLÈTE DE CES
INSTRUCTIONS (INCLUANT
L'ESPAGNOL)

