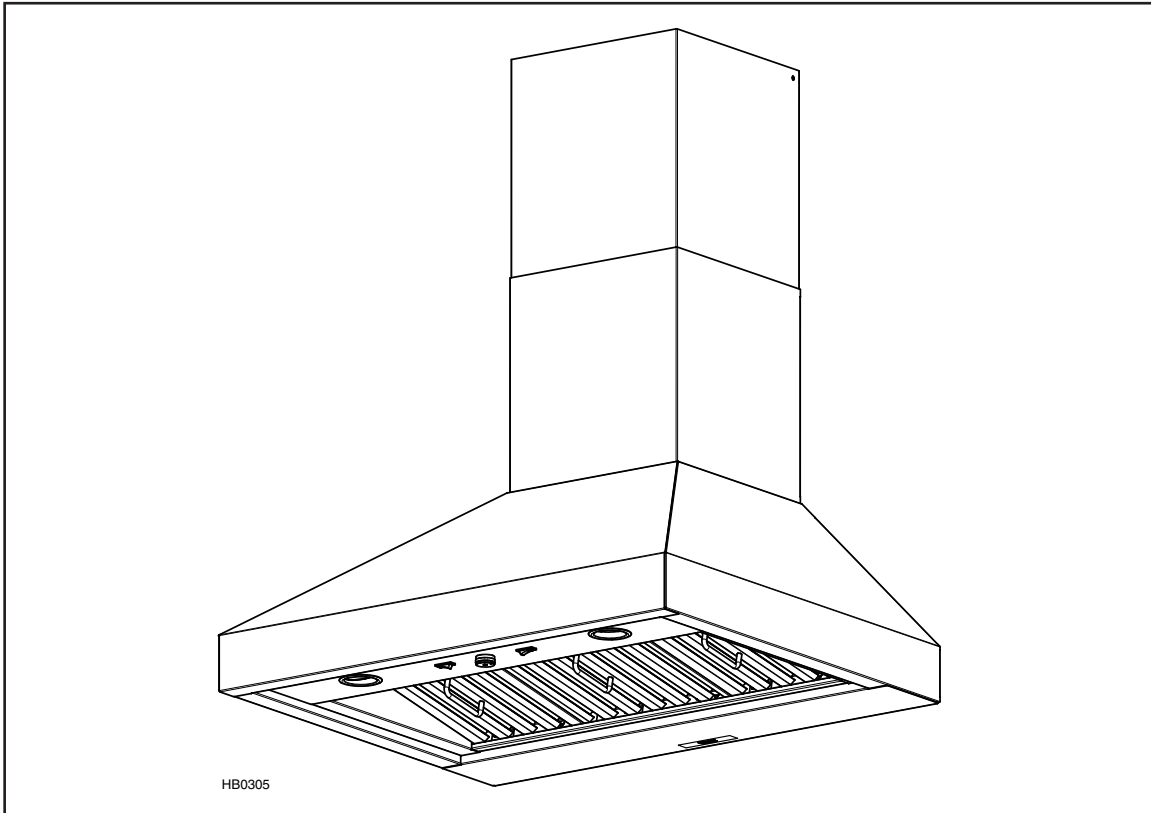


# INSTALLATION INSTRUCTIONS

# best®



## WTD9M SERIES

⚠ INTENDED FOR OUTDOOR DOMESTIC COOKING ONLY ⚠

**READ AND SAVE THESE INSTRUCTIONS**

INSTALLER: LEAVE THIS MANUAL WITH HOMEOWNER.  
HOMEOWNER: USE AND CARE INFORMATION ON PAGES 8 AND 9.

BEST; Hartford, Wisconsin [www.BestRangeHoods.com](http://www.BestRangeHoods.com) 800 558-1711  
BEST; Drummondville, QC, Canada [www.BestRangeHoods.ca](http://www.BestRangeHoods.ca) 866 737-7770

To register your product online or for additional information visit [www.BestRangeHoods.com](http://www.BestRangeHoods.com)



## **WARNING**

---

### **TO REDUCE THE RISK OF FIRE, ELECTRIC SHOCK OR INJURY TO PERSONS, OBSERVE THE FOLLOWING:**

1. Use this unit only in the manner intended by the manufacturer. If you have questions, contact the manufacturer at the address or telephone number listed in the warranty.
2. Before servicing or cleaning unit, switch power off at service panel and lock service disconnecting means to prevent power from being switched on accidentally. When the service disconnecting means cannot be locked, securely fasten a prominent warning device, such as a tag, to the service panel.
3. Installation work and electrical wiring must be done by qualified personnel in accordance with all applicable codes and standards, including fire-rated construction codes and standards.
4. Sufficient air is needed for proper combustion and exhausting of gases through the flue (chimney) of fuel burning equipment to prevent backdrafting. Follow the heating equipment manufacturer's guidelines and safety standards such as those published by the National Fire Protection Association (NFPA) and the American Society for Heating, Refrigeration and Air Conditioning Engineers (ASHRAE) and the local code authorities.
5. When cutting or drilling into wall or ceiling, do not damage electrical wiring and other hidden utilities.
6. Ducted fans must always be vented to the outdoors.
7. Do not use this unit with any solid-state speed control device.
8. To reduce the risk of fire, use only metal ductwork.
9. This unit must be grounded and protected by a GFCI.
10. Suitable for use in damp locations only when installed in a GFCI-protected branch-circuit.
11. This unit is not designed to be used with a charcoal grill.
12. When applicable local regulations comprise more restrictive installation and/or certification requirements, the aforementioned requirements prevail on those of this document and the installer agrees to conform to these at his own expense.

### **TO REDUCE THE RISK OF A RANGE TOP GREASE FIRE:**

- a) Never leave surface units unattended at high settings. Boilovers cause smoking and greasy spillovers that may ignite. Heat oils slowly on low or medium settings.
- b) Always turn the range hood ON when cooking at high heat or when flambeing food (i.e.: Crêpes Suzette, Cherries Jubilee, Peppercorn Beef Flambé).
- c) Clean ventilating fans frequently. Grease should not be allowed to accumulate on fan, filters or in exhaust ducts.
- d) Use proper pan size. Always use cookware appropriate for the size of the surface element.

## **WARNING**

---

### **TO REDUCE THE RISK OF INJURY TO PERSONS IN THE EVENT OF A RANGE TOP GREASE FIRE, OBSERVE THE FOLLOWING\*:**

1. SMOTHER FLAMES with a close-fitting lid, cookie sheet or metal tray, then turn off the burner. BE CAREFUL TO PREVENT BURNS. IF THE FLAMES DO NOT GO OUT IMMEDIATELY, EVACUATE AND CALL THE FIRE DEPARTMENT.
2. NEVER PICK UP A FLAMING PAN — You may be burned.
3. DO NOT USE WATER, including wet dishcloths or towels — This could cause a violent steam explosion.
4. Use an extinguisher ONLY if:
  - A. You own a Class ABC extinguisher and you know how to operate it.
  - B. The fire is small and contained in the area where it started.
  - C. The fire department has been called.
  - D. You can fight the fire with your back to an exit.

\* Based on "Kitchen Fire Safety Tips" published by NFPA.

## **CAUTION**

---

1. For general ventilating use only. Do not use to exhaust hazardous or explosive materials and vapors.
2. To avoid motor bearing damage and noisy and/or unbalanced impellers, keep drywall spray, construction dust, etc. off the hood.
3. Your hood has a thermal overload which will automatically shut off the motor if it becomes overheated. The motor will restart when it cools down. If the motor continues to shut off and restart, have the hood serviced.
4. The hood must be installed at least 36" above the cooking surface.
5. Two installers are recommended because of the large size and weight of this unit.
6. To reduce the risk of fire and to properly exhaust air, be sure to duct air outside — Do not exhaust air into spaces within walls or ceiling or into attics, crawl space or garage.
7. This product is equipped with a thermostat which may start blower automatically. To reduce the risk of injury and to prevent power from being switched on accidentally, switch power off at service panel and lock or tag service panel.
8. To reduce the risk of fire and electrical shock, the Best WTD9M Series models should only be installed with the P12NA internal blower (sold separately). Other blowers cannot be substituted.
9. Please read specification label on product for further information and requirements.

# 1. PREPARE THE INSTALLATION

Make sure that the following items are included:

- Hood
- Hood mounting bracket (taped inside the hood)
- 10" round adapter (taped inside the hood)
- Installation manual
- Bag of parts including: 1 wire clamp, 3 waterproof wire connectors, 14 no. 10-12 x 2½" screws, 4 no. 8-18 x 3/8" screws, 10 washers, 1 suction cup (contains more parts than required to perform the installation). (Taped inside the hood.)

Parts sold separately:

- Blower assembly model P12NA
- Decorative flue:
  - Part no. AEWTD915SB for ceilings 8' to 8.5' high
  - Part no. AEWTD1629SB for ceilings 8.5' to 9.5' high
  - Part no. AEWTD3057SB for ceilings 9.5' to 12' high

# 2. INSTALL THE DUCTWORK AND ELECTRICAL WIRING

## ⚠ WARNING

When performing installation, servicing or cleaning the unit, it is recommended to wear safety glasses and gloves. This range hood is not designed for use with a charcoal grill.

## CAUTION

This range hood is intended for outdoor covered patio or lanai area. As with all electric appliances, this unit must be protected from the effects of weather.

**These range hoods must be installed with the P12NA blower (sold separately). Do not substitute for an other blower.**

Plan where and how the ductwork will be installed. A straight, short duct run will allow the hood to perform most efficiently. Refer to illustrations below to locate duct opening.

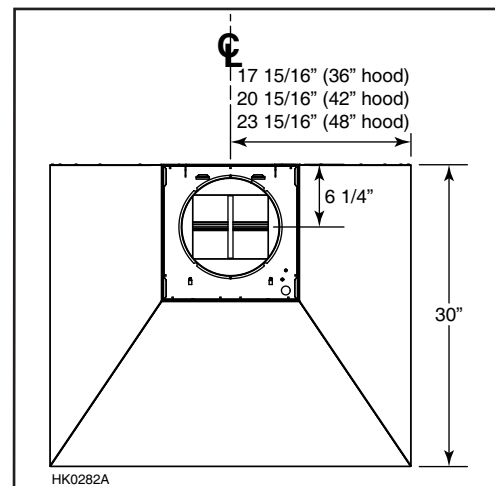
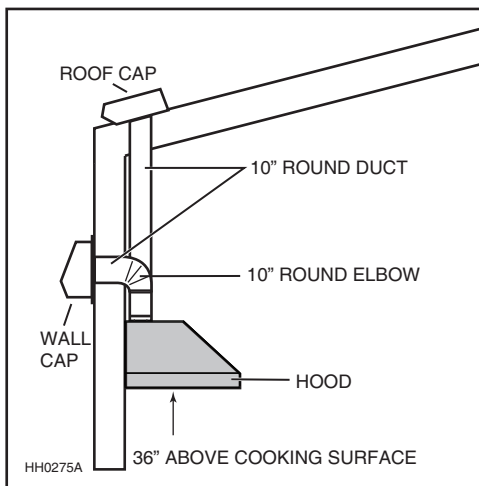
Install 10-inch ductwork, elbows (if needed) and roof or wall cap. Connect metal ductwork to the cap and work back towards the hood location. Use 2" metal foil duct tape to seal the joints.

## ⚠ WARNING

The power cable must be a GFCI protected branch circuit.

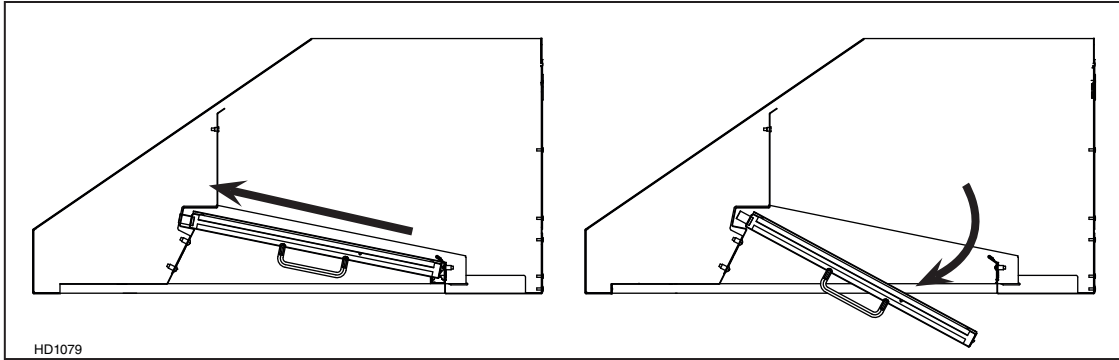
Run 3-wire power supply cable to installation location.

**The hood must be installed at least 36" above the cooking surface.**



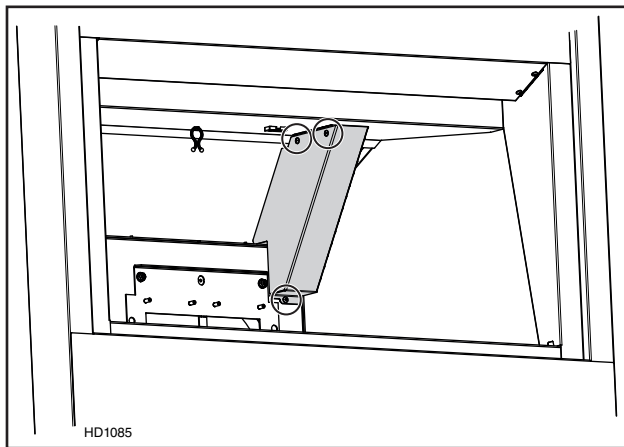
### 3. REMOVE THE GREASE FILTERS

Rest the range hood on a protected surface and remove the tape from the filters. Remove the filters from the range hood by pushing them towards the nose of the hood and rotate downwards. Remove the parts bag, the adapter ring and the hood mounting bracket from inside the hood and set these parts aside.

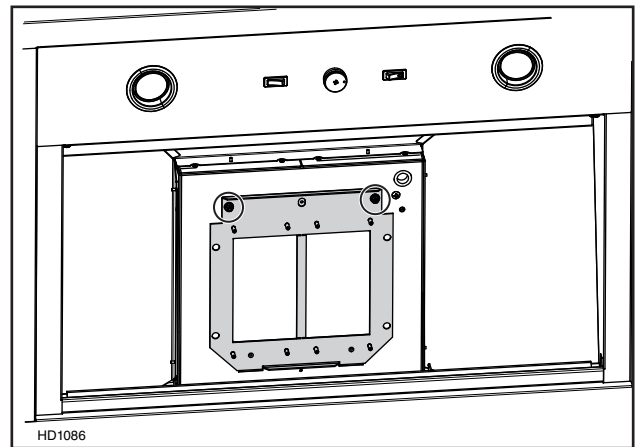


### 4. REMOVE THE WIRING COVER AND THE BLOWER PLATE

Using a Philips no. 2 screwdriver, remove the 3 retaining screws (circled in illustration below) holding the wiring cover inside the hood. Set aside the cover and its screws.

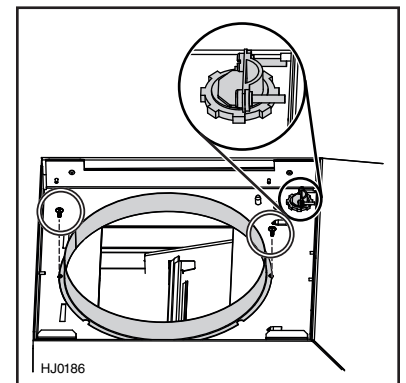


Using a 3/8" nutdriver, remove 2 nuts retaining the blower plate to the inner top of the hood, set the plate and nuts aside.



### 5. INSTALL THE ADAPTER AND THE WIRE CLAMP

Install the 10-inch round adapter on the top of the hood using 2 no. 8-18 x 3/8" Phillips screws.  
NOTE: Use the smaller notches around the adapter.  
Install the wire clamp (as shown in the inset on illustration at right).

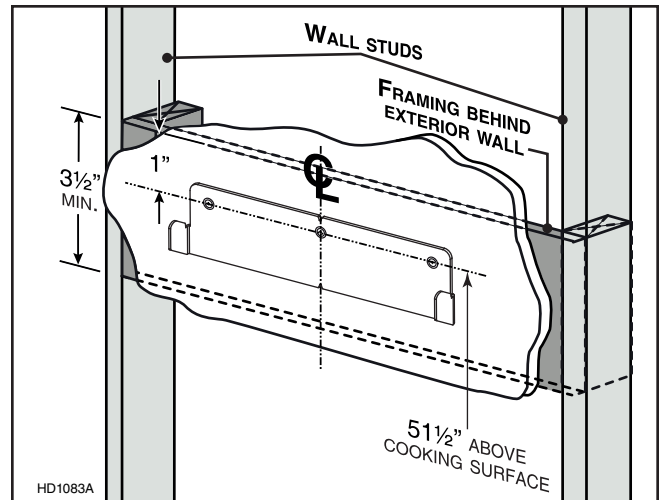


## 6. INSTALL HOOD MOUNTING BRACKET

### ⚠ WARNING

When cutting or drilling into wall, do not damage electrical wiring and other hidden utilities. Ensure that the wall is solid enough to withstand the weight of the hood.

If necessary, construct a wall framing using minimum 2" x 4" lumber. Proper structural support is required to accommodate the weight of the hood. After the wall surface is finished, measure and mark the center of the installation; draw the vertical center line up to the ceiling. Carefully center and level the hood mounting bracket over the installation location. Secure it to the wall framing using 3 no. 10-12 x 2½" screws.

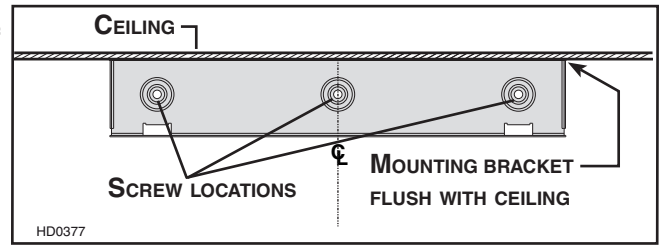


## 7. INSTALL UPPER FLUE MOUNTING BRACKET

**NOTE:** The upper flue mounting bracket is packed with the decorative flue, but the mounting bracket screws are in the parts bag of the hood.

Center the upper flue mounting bracket with the center line drawn in the previous step and place it flush with the ceiling. Use the upper flue mounting bracket as a template to mark the position of the screws.

Secure the upper flue bracket to the wall using 3 no. 10-12 x 2½" screws. Ensure that the bracket is tight against the wall.



## 8. INSTALL THE HOOD

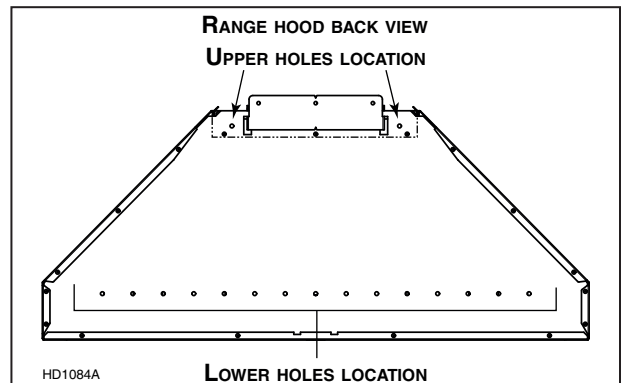
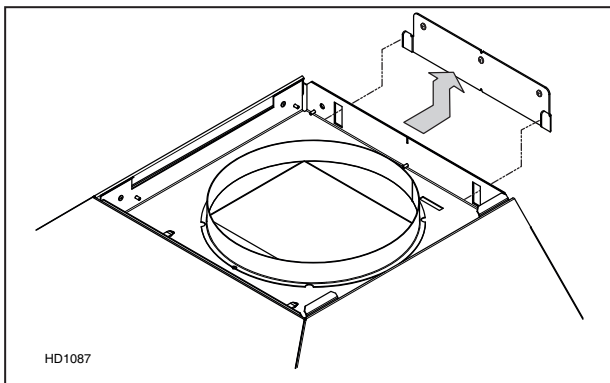
### ⚠ WARNING

**BE CAREFUL** when installing the decorative flue and hood, they may have sharp edges.

### CAUTION

**DO NOT REMOVE** the protective plastic film covering the decorative flue (upper & lower) yet.

1. Align the hood and center it above the hood mounting bracket. Gently lower the hood until it securely engages the bracket.
2. Level the hood.
3. While the hood is hanging in place, secure it to the wall through both holes located in the upper back of hood using 2 no. 10-12 x 2½" screws and washers. If required, pre-drill holes before securing the screws.
4. Using at least 1 hole on each side of the lower back of the hood, secure the hood into solid material (wall studs) using 2 no. 10-12 x 2½" screws and washers. If required, pre-drill holes before securing the screws.



## 9. CONNECT THE WIRING

### ⚠ WARNING

**Risk of electric shock. Electrical wiring must be done by qualified personnel in accordance with all applicable codes and standards. Before connecting wires, switch power off at service panel and lock service disconnecting means to prevent power from being switched on accidentally.**

Insert the house wiring cable through the wire clamp, and tighten the wire clamp to secure the cable. Connect the power cable to the range hood wires using provided waterproof wire connectors. Connect BLACK to BLACK, WHITE to WHITE and GREEN or bare wire under GREEN ground screw. **DO NOT FORGET TO CONNECT THE GROUND.**

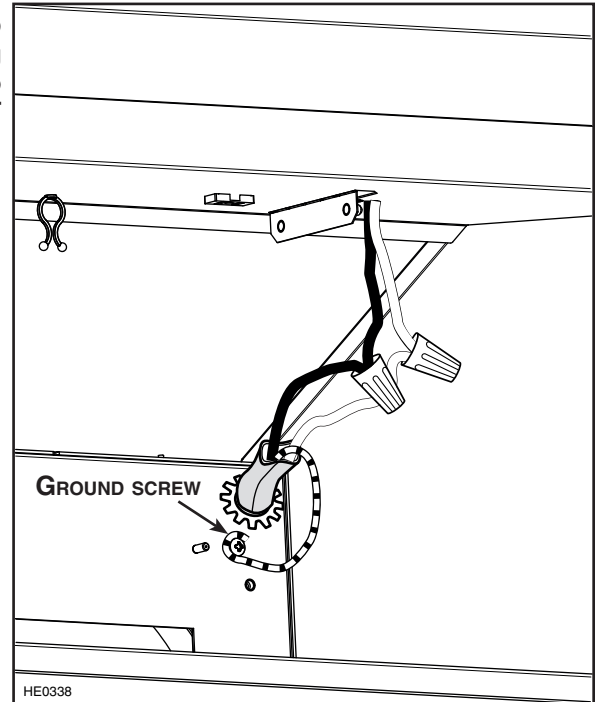
#### WATERPROOF WIRE CONNECTORS INSTRUCTIONS:

1. Strip wires 3/8".
2. Align frayed strands or conductors.
3. Do not pre-twist. Place stripped wires together with ends even, but lead smaller stranded wires slightly ahead of larger solid or stranded wire.
4. Twist connector onto wires pushing firmly until hand-tight. DO NOT over torque.
5. When inserting wires into connectors, some sealant may leak out. Wipe off excess sealant in and around conductors. DO NOT REUSE.

### CAUTION

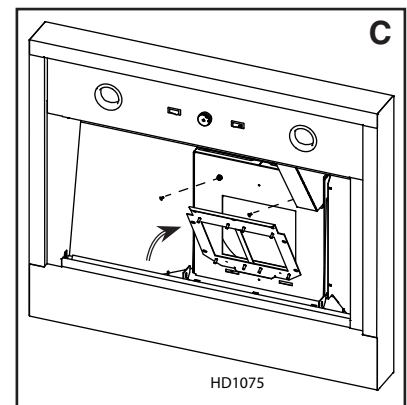
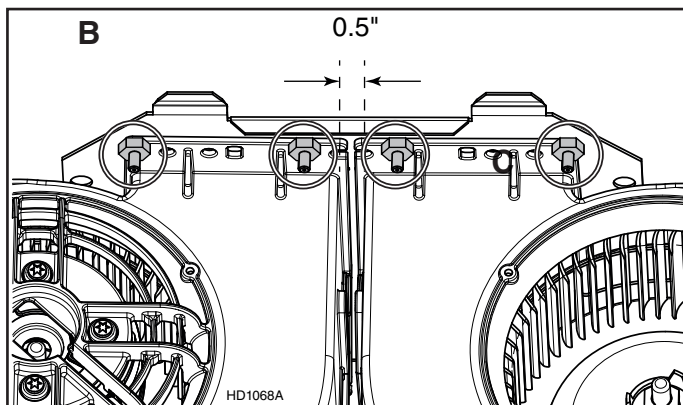
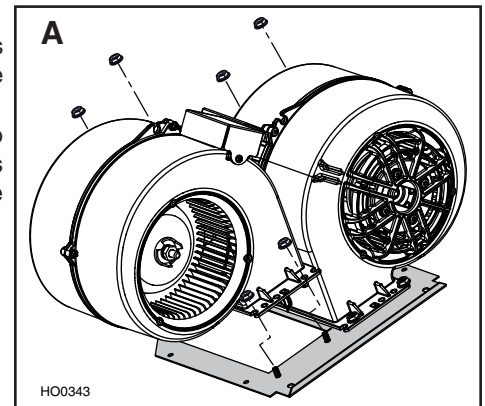
**When reinstalling the wiring box cover, carefully insert the screws by hand, then use a screwdriver to prevent stripping.**

Reinstall wiring box cover, making sure not to pinch wires.



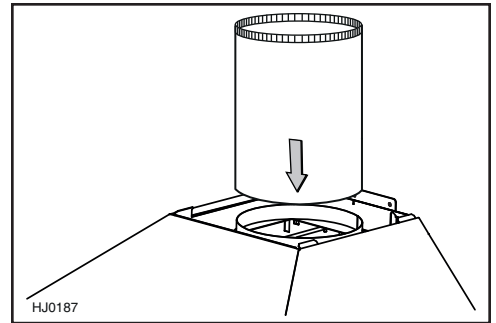
## 10. INSTALL THE BLOWER IN THE HOOD

Take the blower plate previously removed in step 4 and lay it on a protected surface. Mount both blowers on the blower plate using 8 hexagonal nuts included with the blowers (see illustration **A**). Make sure that both holes in the blower plate are entirely covered by the blowers. The blowers should be 0.5 inch apart (see illustration **B**). Reinstall the blower plate with blowers inside the hood by insert the blower plate tabs into the slots and secure using both nuts previously removed in step 4 (see illustration **C**; blowers not shown to ease understanding). Connect the blower power cord to the hood, and tie the blower power cord using the preinstalled twist tie.



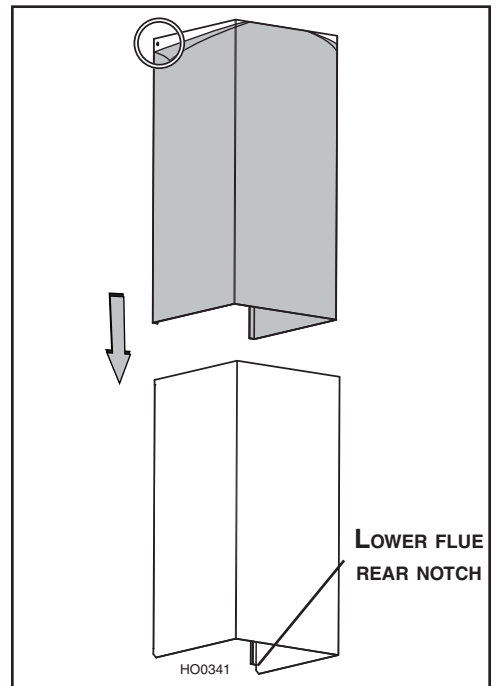
## 11. DUCT CONNECTION

Slide a 10" metal round duct over the adapter ring on top of the hood. Use metal foil duct tape to seal the joint.

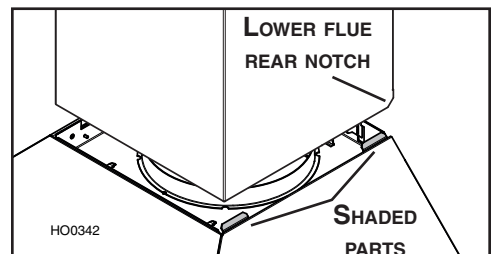


## 12. PREPARE AND INSTALL THE DECORATIVE FLUE

Remove the protective plastic film covering the lower flue only. Peel off both corners at the top of the upper flue. Position the lower flue rear notches down (the ones with the 45° angle). Gently slide the upper flue inside the lower flue, making sure the holes are on the top, so the upper flue can be screwed to the flue mounting bracket.

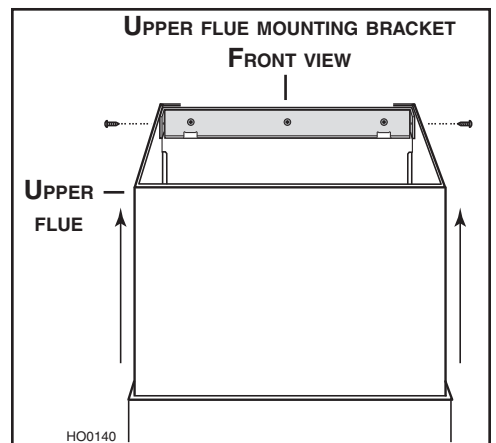


Carefully slide in place the decorative flues (notches end first) between the shaded parts and the exterior wall of the top of the hood.



Slide up the upper flue until it is aligned with its mounting bracket. The bracket must be inside the flue. Secure it to the bracket using 2 no. 8 x 3/8" screws (from hood parts bag). NOTE: Duct not shown in illustration to ease understanding.

Remove the protective plastic film covering the upper flue.



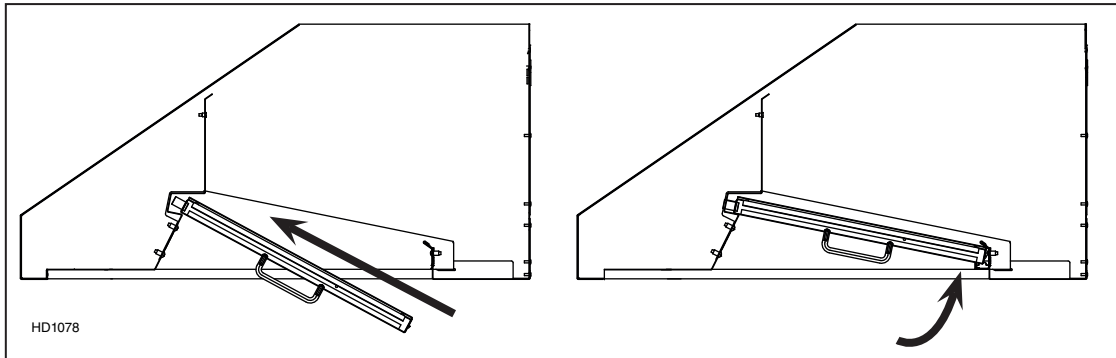
## 13. REINSTALL THE FILTERS

### CAUTION

Remove the protective plastic film covering the filters before installing them.

It is recommended to install side filters first and to finish with center one(s).

1. Insert the end of the filter with the spring into the front channel of the hood.
2. Raise the other end toward the inside of the hood and insert in the grease drip rail.



## 14. OPERATION

### CAUTION

Before using the range hood, remove the remaining protective plastic film covering the hood surfaces.

#### BLOWER

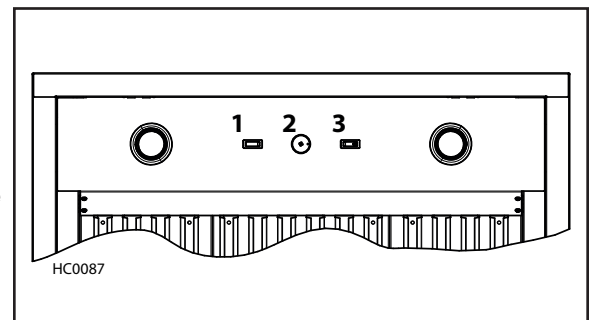
The blower is operated using two controls.

Use the ON/OFF rocker switch (1) to start and stop the blower. When turned ON, the switch turns red and the blower operates at the speed set by the speed control knob (2).

Turn the speed control knob counterclockwise to increase blower speed – clockwise to decrease speed.

#### COOKTOP LIGHTING (HALOGEN)

Use the ON/OFF rocker switch (3) to turn the halogen lights ON or OFF.



- 1) ON/OFF blower switch
- 2) Blower speed control knob
- 3) Halogen light switch

#### HEAT SENTRY™

This hood is equipped with a Heat Sentry™ thermostat. This thermostat is a device that will turn on the blower to high speed if it senses excessive heat above the cooking surface.

- 1) If blower is OFF - it turns blower ON to high speed.
- 2) If blower is already ON - it sets blower on high speed.

### ⚠ WARNING

The HEAT SENTRY can start the blower during a range top fire or other excessive heat situations even if the hood is turned off. In this case, it is impossible to turn the blower OFF using control panel switch. To stop the blower, do it from the main electrical panel.

When the temperature drops to normal, the blower will return to its original setting.



## 15. USE AND CARE

### **Baffle Filters**

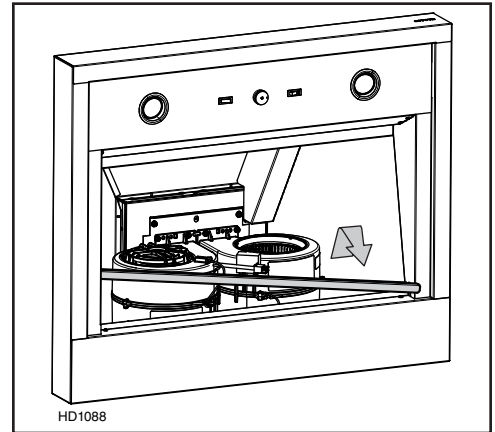
The baffle filters should be cleaned frequently. Use a warm detergent solution. Wash more often if your cooking style generates greater grease — like frying foods or wok cooking.

Remove the filters from the range hood by pushing them towards the nose of the hood and rotate downwards. Baffle filters are dishwasher safe. Allow filters to dry completely before reinstalling them in the hood.

Clean all-metal filters in the dishwasher using a non-phosphate detergent. Discoloration of the filters may occur if using phosphate detergent or as a result of local water conditions — but this will not affect filter performance. This discoloration is not covered by the warranty.

### **Grease Drip Rail**

The grease drip rail should be cleaned frequently. To remove, rotate the grease rail to disengage it from the bottom panel, then slide it away in a diagonal movement. Wash in a warm detergent solution. As with the baffle filters, wash more often if your cooking style generates greater grease — like frying foods or wok cooking. Allow the grease drip rail to dry completely before reinstalling it in the hood.



### **General cleaning instructions**

#### Stainless steel cleaning:

<b>Do:</b>	<b>Don't:</b>
<ul style="list-style-type: none"><li>• Regularly wash with clean cloth or rag soaked with warm water and mild soap or liquid dish detergent.</li><li>• Always clean in the direction of original polish lines.</li><li>• Always rinse well with clear water (2 or 3 times) after cleaning. Wipe dry completely.</li><li>• You may also use a specialized household stainless steel cleaner.</li></ul>	<ul style="list-style-type: none"><li>• Use any steel or stainless steel wool or any other scrapers to remove stubborn dirt.</li><li>• Use any harsh or abrasive cleansers.</li><li>• Allow dirt to accumulate.</li><li>• Let plaster dust or any other construction residues reach the range hood. During construction/renovation, cover the range hood to make sure no dust sticks to stainless steel surface.</li></ul>

#### **Avoid when choosing a detergent:**

- Any cleaners that contain **bleach** will attack stainless steel.
- Any products containing: **chloride, fluoride, iodide, bromide** will deteriorate surfaces rapidly.
- Any combustible products used for cleaning such as **acetone, alcohol, ether, benzol**, etc., are highly explosive and should never be used close to a range.

## 16. LIGHT BULBS REPLACEMENT

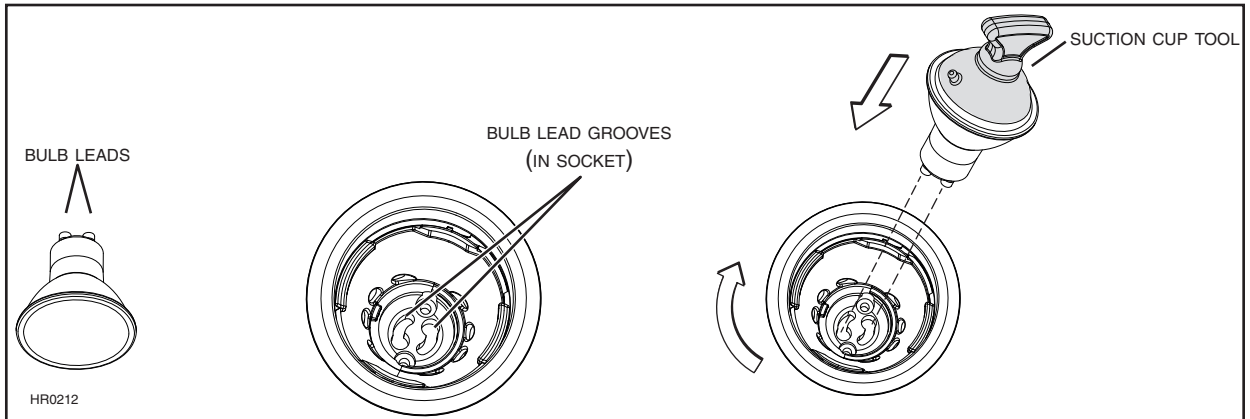
This hood is equipped with two 120 V, 50 W, MR16 with GU10 base, shielded halogen bulbs.

### ⚠ WARNING

**Do not touch lamps during or soon after operation. Burns may occur. In order to prevent the risk of personal injury, only install shielded halogen lamps. Also, never install a cool beam, a dichroic lamp, a lamp not suitable for use in recessed luminaires or identified for use in enclosed fixtures.**

To remove the bulbs, press suction cup tool (included in parts bag) on bulb and rotate counterclockwise to disengage the bulb leads from their grooves.

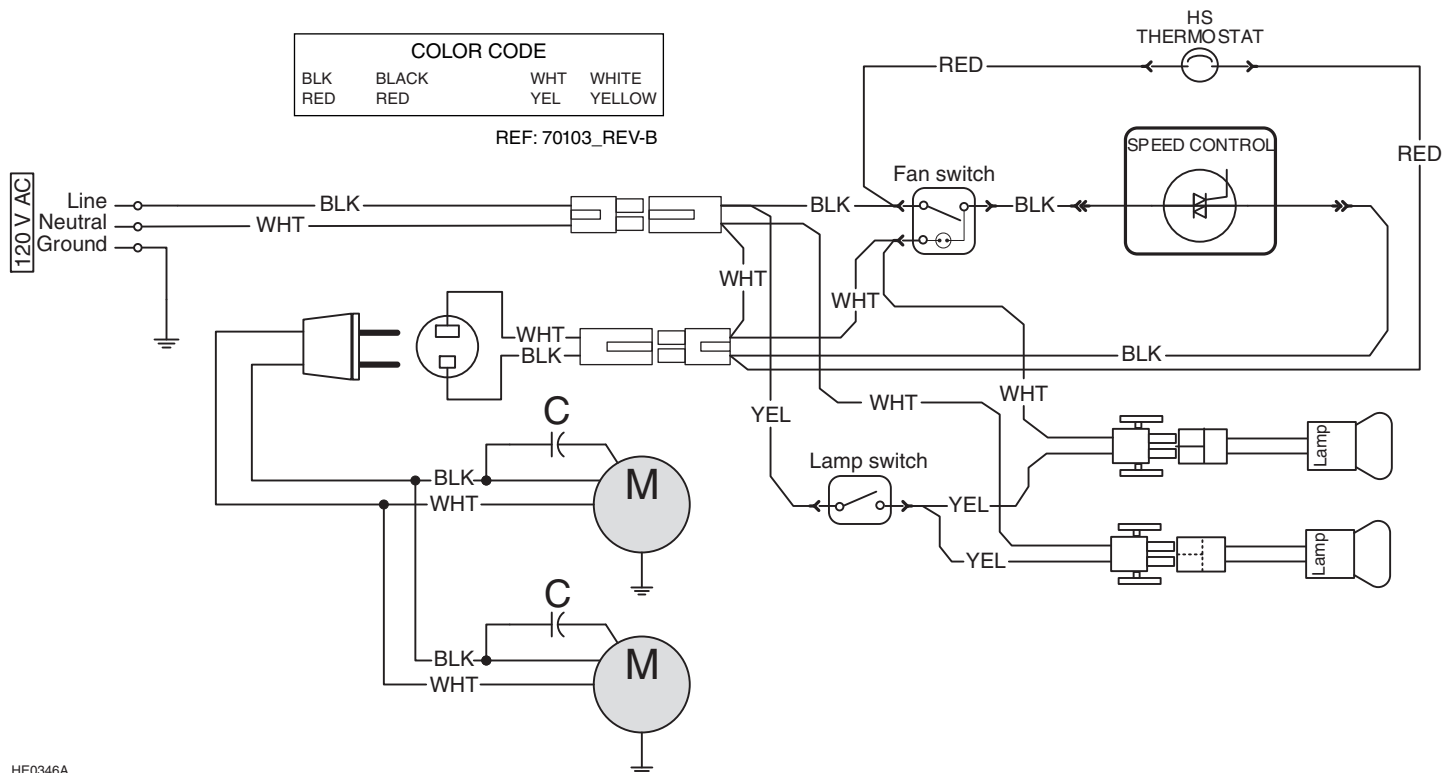
Install the new bulbs by placing the bulb leads into their grooves in the socket. Gently push upwards and turn clockwise until secure.



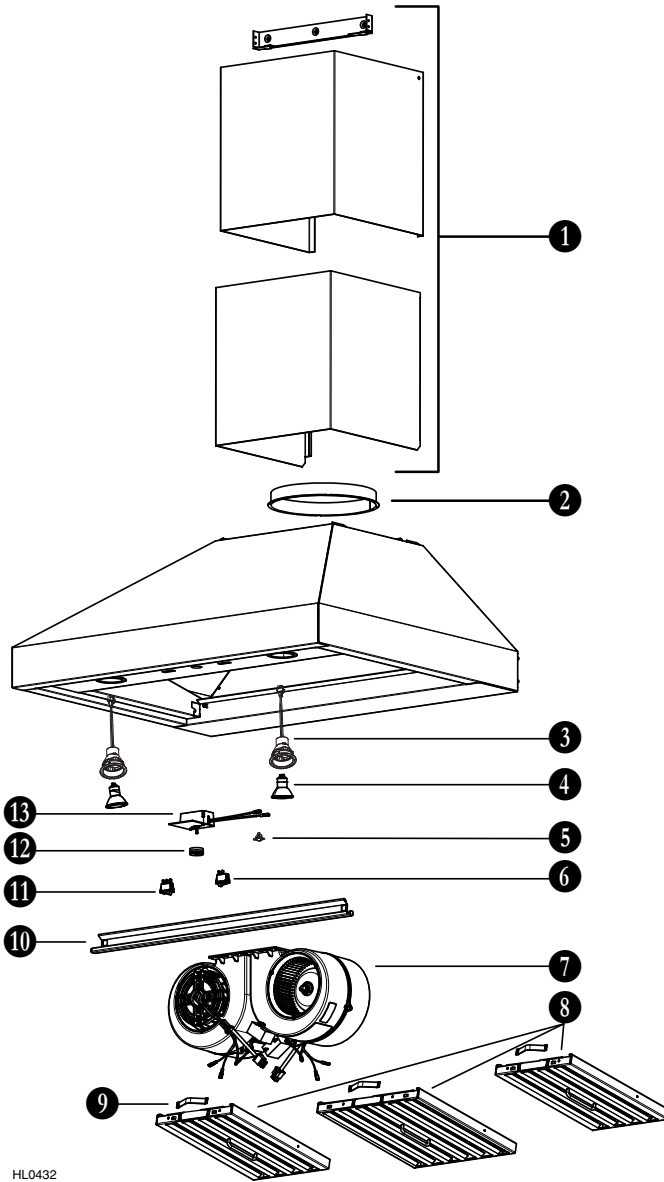
## 17. WIRING DIAGRAM

### ⚠ WARNING

**Risk of electrical shock. Electrical wiring must be done by qualified personnel in accordance with all applicable codes and standards. Before connecting wires, switch power off at service panel and lock service disconnecting means to prevent power from being switched on accidentally.**



# 18. SERVICE PARTS



HL0432

### REPLACEMENT PARTS AND REPAIRS

In order to ensure your unit remains in good working condition, you must use Broan-NuTone genuine replacement parts only. Broan-NuTone genuine replacement parts are specially designed for each unit and are manufactured to comply with all the applicable certification standards and maintain a high standard of safety. Any third party replacement part used may cause serious damage and drastically reduce the performance level of your unit, which will result in premature failing. Broan-NuTone recommends to contact a certified service depot for all replacement parts and repairs.

KEY NO.	PART NO.	DESCRIPTION	QUANTITY		
			36"	42"	48"
1	AEWTD915SB*	DECORATIVE FLUE KIT - 8 TO 8.5-FT HIGH CEILING	1	1	1
1	AEWTD1629SB*	DECORATIVE FLUE KIT - 8.5 TO 9.5-FT HIGH CEILING	1	1	1
1	AEWTD3057SB*	DECORATIVE FLUE KIT - 9.5 TO 12-FT HIGH CEILING	1	1	1
2	SV08541	10" ROUND ADAPTER	1	1	1
3	SV16569	LIGHT SOCKET AND TRIM ASSEMBLY	2	2	2
4	SV05921	GU10 HALOGEN BULB	2	2	2
5	SV03435	HEAT SENTRY™ THERMOSTAT	1	1	1
6	SV02563	LIGHT ROCKER SWITCH	1	1	1
7	P12NA**	BLOWER ASSEMBLY	1	1	1
8	SV60675	BAFFLE FILTER WITH FILTER SPRING 11.84" x 15.125"	1	3	2
	SV60716	BAFFLE FILTER WITH FILTER SPRING 8.84" x 15.125"	2	0	2
9	SV08337	SPRINGS FOR BAFFLE FILTERS (SET OF 6)	1	1	1
10	SV65734	GREASE RAIL FOR 36-IN.-WIDE HOOD	1	0	0
	SV65735	GREASE RAIL FOR 42-IN.-WIDE HOOD	0	1	0
	SV65736	GREASE RAIL FOR 48-IN.-WIDE HOOD	0	0	1
11	SV03503	BLOWER ROCKER SWITCH	1	1	1
12	SV08549	BLOWER SPEED CONTROL KNOB	1	1	1
13	SV03501	BLOWER SPEED CONTROL	1	1	1
***	SV23320	PARTS BAG: 1 WIRE CLAMP, 3 WATERPROOF WIRE CONNECTORS, 14 NO. 10-12 x 2½" SCREWS, 4 NO. 8-18 x 3/8" SCREWS, 10 WASHERS, 1 SUCTION CUP.	1	1	1

\* OPTIONAL PART, SOLD SEPARATELY

\*\* PART SOLD SEPARATELY

\*\*\* NOT SHOWN

## 19. WARRANTY

---

### FIVE-YEAR LIMITED WARRANTY FOR BEST® PRODUCTS

**Warranty Period and Exclusions:** Broan-NuTone, LLC (the “Company”) warrants to the consumer purchaser of its product (“you”) that the product (the “Product”) will be free from material defects in the materials or its workmanship for a period of five (5) years from the date of original purchase (or such longer period as may be required by applicable law) or a period of two (2) years from the date of service for any labor provided on the Product.

The limited warranty period for any replacement parts provided by the Company and for any Products repaired or replaced under this limited warranty shall be the remainder of the original warranty period (or such longer period as may be required by applicable law).

**THIS WARRANTY DOES NOT EXTEND TO FLUORESCENT LAMP STARTERS, TUBES AND BULBS, FUSES, FILTERS, DUCTS, ROOF CAPS, WALL CAPS AND OTHER ACCESSORIES FOR DUCTING.** This warranty does not cover (a) normal maintenance and service, (b) normal wear and tear, (c) any Products or parts which have been subject to misuse, abuse, abnormal usage, negligence, accident, improper or insufficient maintenance, storage or repair (other than repair by the Company), (d) damage caused by faulty installation, or installation or use contrary to recommendations or instructions, (f) damage caused by exposure to salt air, (g) damage in transit, (h) natural wear of finish, (i) Products in commercial or nonresidential use, (j) damage caused by fire, flood or other act of God, or (k) Products with altered, defaced or removed serial numbers. This warranty covers only Products sold to consumers in North America. This warranty supersedes all prior warranties and, subject to applicable law, is not transferable from the original consumer purchaser.

**No Other Warranties:** This Limited Warranty contains the Company’s sole obligation and your sole remedy for defective Products. The foregoing warranties are exclusive and in lieu of any other warranties and conditions, express or implied. **TO THE MAXIMUM EXTENT PERMITTED BY APPLICABLE LAW, THE COMPANY DISCLAIMS AND EXCLUDES ALL OTHER EXPRESS WARRANTIES AND CONDITIONS, AND DISCLAIMS AND EXCLUDES ALL WARRANTIES AND CONDITIONS IMPLIED BY LAW, INCLUDING WITHOUT LIMITATION THOSE OF MERCHANTABILITY AND FITNESS FOR A PARTICULAR PURPOSE.**

To the extent that applicable law prohibits the exclusion of implied warranties or conditions, the duration of any applicable implied warranty or condition is limited to the period specified for the express warranty above. Some jurisdictions (which may include the Province of Quebec or specific US states) do not allow limitations on how long an implied warranty lasts, so the above limitation may not apply to you. Any oral or written description of the Product is for the sole purpose of identifying it and shall not be construed as an express warranty.

Whenever possible, each provision of this Limited Warranty shall be interpreted in such manner as to be effective and valid under applicable law, but if any provision is held to be prohibited or invalid, such provision shall be ineffective only to the extent of such prohibition or invalidity, without invalidating the remainder of such provision or the other remaining provisions of the Limited Warranty.

**Remedy:** During the applicable limited warranty period, the Company will, at its option, provide replacement parts for, or repair or replace, without charge, any Product or part thereof, to the extent the Company finds it to be covered by and in breach of this limited warranty under normal use and service. The Company will ship the repaired or replaced Product or replacement parts to you at no charge. You are responsible for all costs for removal, reinstallation and shipping, insurance or other freight charges incurred in the shipment of the Product or part to the Company. If you must send the Product or part to the Company, as instructed by the Company, you must properly pack the Product or part—the Company is not responsible for damage in transit. The Company reserves the right to utilize reconditioned, refurbished, repaired or remanufactured Products or parts in the warranty repair or replacement process. Such Products and parts will be comparable in function and performance to an original Product or part and warranted for the remainder of the original warranty period (or such longer period as may be required by applicable law).

Company reserves the right, in its sole discretion, to refund the money actually paid by you for the Product. If the Product or component is no longer available, replacement may be made with a similar product of equal or greater value, at Company’s sole discretion. This is your sole and exclusive remedy for breach of this limited warranty.

**Exclusion of Damages: THE COMPANY’S OBLIGATION TO PROVIDE REPLACEMENT PARTS, OR REPAIR OR REPLACE, AT THE COMPANY’S OPTION, SHALL BE YOUR SOLE AND EXCLUSIVE REMEDY UNDER THIS LIMITED WARRANTY AND THE COMPANY’S SOLE AND EXCLUSIVE OBLIGATION. THE COMPANY SHALL NOT BE LIABLE FOR INCIDENTAL, INDIRECT, CONSEQUENTIAL OR SPECIAL DAMAGES ARISING OUT OF OR IN CONNECTION WITH THE PRODUCT, ITS USE OR PERFORMANCE.**

Some jurisdictions do not allow the exclusion or limitation of incidental or consequential damages, so the above limitation or exclusion may not apply to you. This warranty gives you specific legal rights, and you may also have other rights, which vary from jurisdiction to jurisdiction. The disclaimers, exclusions, and limitations of liability under this warranty will not apply to the extent prohibited by applicable law.

This warranty covers only replacement or repair of defective Products or parts thereof at the Company’s main facility and does not include the cost of field service travel and living expenses.

Any assistance the Company provides to or procures for you outside the terms, limitations or exclusions of this limited warranty will not constitute a waiver of such terms, limitations or exclusions, nor will such assistance extend or revive the warranty. The Company will not reimburse you for any expenses incurred by you in repairing or replacing any defective Product, except for those incurred with the Company’s prior written permission.

**How to Obtain Warranty Service:** To qualify for warranty service, you must (a) notify the Company at the address or telephone number stated below within seven (7) days of discovering the covered defect, (b) give the model number and part identification and (c) describe the nature of any defect in the Product or part. At the time of requesting warranty service, you must present evidence of the original purchase date. If you cannot provide a copy of the original written limited warranty, then the terms of the Company’s most current written limited warranty for your particular product will control.

### PRODUCT SPECIFICATIONS

All illustrations and specifications in this catalog are based on the latest product information available at time of production. Broan-NuTone, LLC and BEST® reserves the right to make changes at any time, without notice, in prices, colors, materials, equipment, specifications and models, place of manufacture and to discontinue models or equipment.

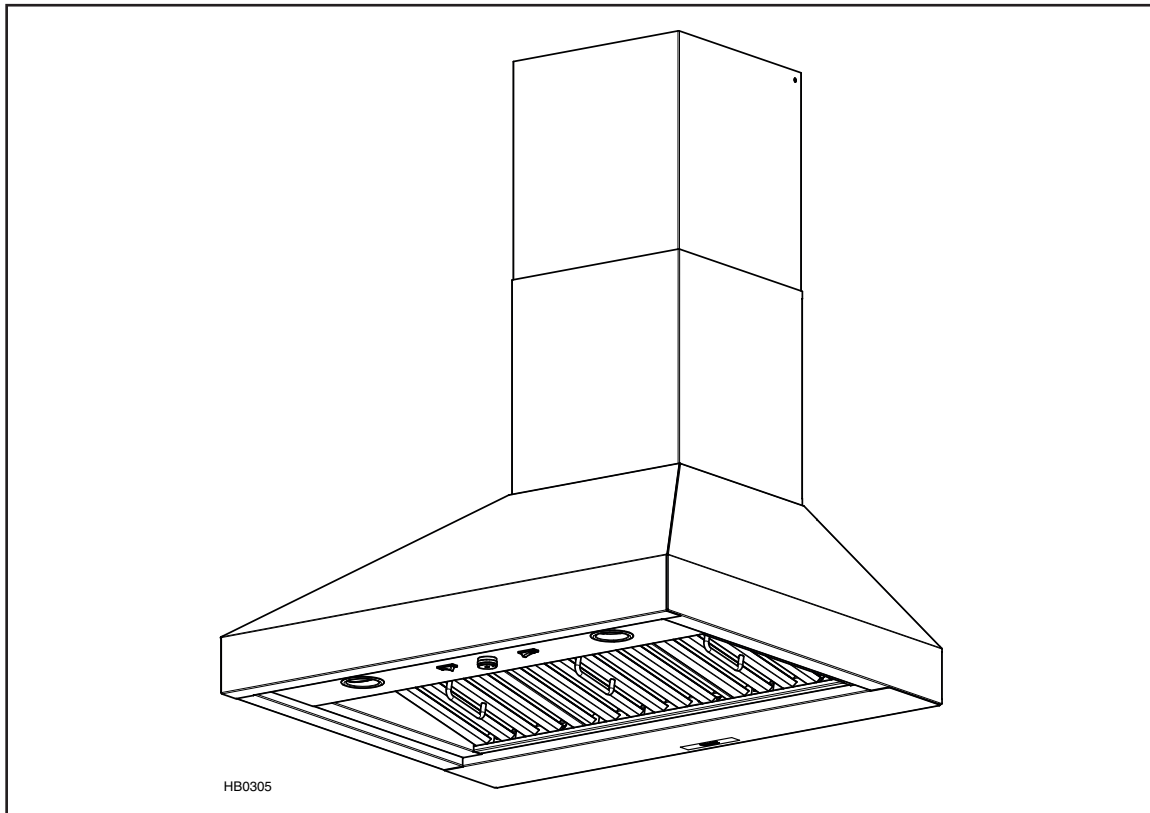
Best

Broan-NuTone, LLC- 926 W. State Street, Hartford, WI 53207 1-800-637-1453

Best®, 550 Lemire Blvd., Drummondville, QC, Canada (1-866-737-7770) www.bestrangehoods.com

## INSTRUCCIONES DE INSTALACIÓN

# best®



## SERIE WTD9M

⚠ EXCLUSIVAMENTE PARA COCINAS DOMÉSTICAS EXTERIORES ⚠

**LEA ESTAS INSTRUCCIONES Y GUÁRDELAS**

INSTALADOR: ENTREGUE ESTE MANUAL AL PROPIETARIO DE LA CASA.  
PROPIETARIO: INFORMACIÓN SOBRE UTILIZACIÓN Y CUIDADO  
EN LAS PÁGINAS 8 Y 9.

BEST; Hartford, Wisconsin [www.BestRangeHoods.com](http://www.BestRangeHoods.com) 800-558-1711  
BEST; Drummondville, QC, Canada [www.BestRangeHoods.ca](http://www.BestRangeHoods.ca) 866-737-7770

Para registrar su producto en línea o para obtener más información, visitar nuestro sitio [www.BestRangeHoods.com](http://www.BestRangeHoods.com)

## **⚠️ ADVERTENCIA**

### **PARA REDUCIR EL RIESGO DE INCENDIO, DESCARGA ELÉCTRICA O LESIÓN CORPORAL, RESPETE LAS SIGUIENTES INDICACIONES:**

1. Utilice esta unidad únicamente de la forma en que indica el fabricante. Si tiene cualquier pregunta, póngase en contacto con el fabricante en la dirección o el teléfono que aparecen en la garantía.
2. Antes de reparar o limpiar el aparato, apáguelo en el tablero de servicio y bloquee los medios de desconexión para impedir que la corriente se conecte accidentalmente. Cuando no se pueda bloquear los medios de desconexión, coloque un dispositivo de advertencia visible (como una etiqueta) en el tablero de servicio.
3. La instalación y la conexión eléctrica deben ser realizadas por personal calificado de acuerdo con todos los códigos y normas aplicables, incluso los relativos a la construcción ignífuga.
4. Para lograr una combustión adecuada y una extracción correcta de los gases a través de la salida del humo (chimenea) del equipo quemador de combustible — evitando así el contratiro — es necesario disponer de aire suficiente. Siga las directrices del fabricante del equipo de material térmico y las normas de seguridad, como las que publica la NFPA (asociación de protección contra los incendios) y la ASHRAE (sociedad estadounidense de técnicos de calefacción, refrigeración y aire acondicionado) así como los códigos de los organismos responsables locales.
5. Al cortar o perforar la pared o el techo, procure no dañar el cableado eléctrico ni otras instalaciones de servicios públicos.
6. Los ventiladores entubados siempre deben tener salida al exterior.
7. No utilice este aparato con un dispositivo de control de velocidad con semiconductores.
8. Para reducir el riesgo de incendio, utilice sólo tuberías metálicas.
9. Este aparato debe conectarse a tierra y ha de estar protegido con un disyuntor.
10. Adecuado para lugares húmedos cuando se instala en un circuito de derivación PROTEGIDO CON UN DISYUNTOR.
11. Este aparato no está pensado para utilizarse con una parrilla de carbón.
12. Cuando una reglamentación local esta en vigor y conlleva exigencias de instalación y/o de certificación más estrictas, susodichas exigencias prevalecen sobre aquellas en este documento y el instalador acepta someterse a estas exigencias a sus gastos.

### **PARA REDUCIR EL RIESGO DE QUE ARDA LA GRASA EN LA PARTE SUPERIOR DE LA COCINA:**

- a) No deje nunca recipientes de cocina a fuego vivo sin vigilancia. Los desbordamientos producen humo y derrames grasientos que pueden inflamarse. Caliente el aceite despacio, a fuego lento o mediano.
- b) Ponga en marcha siempre la campana extractora al cocinar a temperaturas elevadas o al cocinar alimentos flameados (crepas Suzette, cerezas jubilee, res con pimienta flambeada).
- c) Limpie los ventiladores con frecuencia. No deje que la grasa se acumule en el ventilador, ni en los filtros o en los conductos de evacuación.
- d) Utilice cacerolas de tamaño apropiado. Emplee siempre un recipiente adecuado para el tamaño de la placa.

## **⚠️ ADVERTENCIA**

### **PARA REDUCIR EL RIESGO DE LESIONES CORPORALES EN EL CASO DE QUE ARDA LA GRASA EN LA PARTE SUPERIOR DE LA COCINA, SIGA ESTAS INDICACIONES\*:**

1. SOFOQUE LAS LLAMAS con una tapa ajustada, una hoja o bandeja metálica para hornear galletas, y apague luego el quemador. TENGA CUIDADO PARA EVITAR QUEMADURAS. SI LAS LLAMAS NO SE APAGAN INMEDIATAMENTE, EVACUE EL LUGAR Y LLAME A LOS BOMBEROS.
2. NO SUJETE NUNCA UNA SARTÉN EN LLAMAS ya que podría quemarse.
3. NO USE AGUA, ni trapos húmedos. Podría causar una violenta explosión de vapor.
4. Utilice un extintor SOLAMENTE si:
  - A. Tiene un extintor de tipo ABC y sabe usarlo.
  - B. El incendio es pequeño y está circunscrito a la zona donde empezó.
  - C. Ya ha llamado a los bomberos.
  - D. Puede tratar de apagar el fuego si dispone siempre de una salida detrás de usted.

\* Fuente: "Kitchen Fire Safety Tips" publicado por la NFPA

## **PRECAUCIÓN**

1. Sólo para ventilación general. No debe utilizarse para extraer materiales o vapores peligrosos o explosivos.
2. Para evitar daños en el cojinete de los motores y que las hélices haga ruido o se desequilibre, mantenga la campana lejos de los vaporizadores de pirca, del polvo de la construcción, etc.
3. El motor de la campana tiene un dispositivo contra sobrecargas térmicas que apaga el motor automáticamente si éste se sobrecalienta. El motor volverá a ponerse en marcha cuando se enfríe. Si el motor sigue apagándose, haga examinar la campana.
4. Para que la campana capte bien las impurezas que se desprenden al cocinar, la distancia mínima entre la campana y la superficie de la cocina debe ser a 36 pulgadas.
5. Dado el peso y el tamaño de esta unidad, se aconseja que la instalen dos personas.
6. Para reducir los riesgos de incendio y extraer el aire debidamente, el aire debe evacuarse fuera. No extraiga el aire a espacios situados entre las paredes, en el techo o en el desván, falso techo o garaje.
7. Este producto está equipado con un termostato que puede poner en marcha el ventilador automáticamente. Para reducir el riesgo de que se produzcan daños y evitar poner en marcha la alimentación accidentalmente, apague la corriente en el tablero de servicio, bloquee este tablero o ponga una etiqueta de advertencia.
8. Para reducir el riesgo de incendio y de choque eléctrico, los modelos de la serie WTD9M de Best deben instalarse únicamente con el ventilador P12NA (se vende aparte). No emplee otros ventiladores.
9. Para mayor información y conocer los requisitos, lea la etiqueta con las especificaciones en el producto.

# 1. PREPARACIÓN DE LA INSTALACIÓN

NOTA: Antes de comenzar la instalación, verificar el contenido de la caja. Si alguna pieza falta o está dañada, póngase en contacto con el fabricante.

Compruebe que el conjunto para la instalación contiene los elementos siguientes:

- Campana
- Accesorios
  - Soporte de montaje de la campana (retenido con cinta adhesiva en el interior de la campana)
  - Adaptador redondo de 10 pulgadas (retenido con cinta adhesiva en el interior de la campana)
  - Manual de instalación
  - Bolsa de piezas que incluye: 3 conectores impermeables de hilos, 1 abrazadera para hilos, 14 tornillos n.º 10-12 x 2½", 4 tornillos n.º 8-18 x 3/8", 10 arandelas, 1 ventosa (incluye más piezas que necesarias para la instalación) (la bolsa esta retenida con cinta adhesiva en el interior de la campana).

Piezas vendidas por separado:

- Ventilador P12NA
- Conducto decortiva:
  - Pieza n.º AEWTD915SB para un techo de 8 pies a 8.5 pies de altura
  - Pieza n.º AEWTD1629SB para un techo de 8,5 pies a 9,5 pies de altura
  - Pieza n.º AEWTD3057SB para un techo de 9,5 pies a 12 pies de altura.

# 2. INSTALAR LOS CONDUCTOS Y EL CABLEADO ELÉCTRICO

## ⚠ ADVERTENCIA

Se aconseja llevar lentes y guantes de seguridad para instalar, reparar o limpiar la campana. Este campana no es diseñada por una utilización con un parilla de carbón.

## PRECAUCIÓN

Este campana está prevista para patios o terrazas exteriores cubiertos. Como ocurre con todos los aparatos eléctricos, se debe proteger esta campana todo lo posible de la intemperie.

Estas campanas deben instalarse con el ventilador P12NA (se vende aparte). No lo sustituya por otro ventilador.

Planifique dónde y cómo instalará los conductos. Un conducto recto y corto hará que la campana funcione más eficientemente. Consulte las ilustraciones que aparecen a continuación para localizar la abertura del conducto.

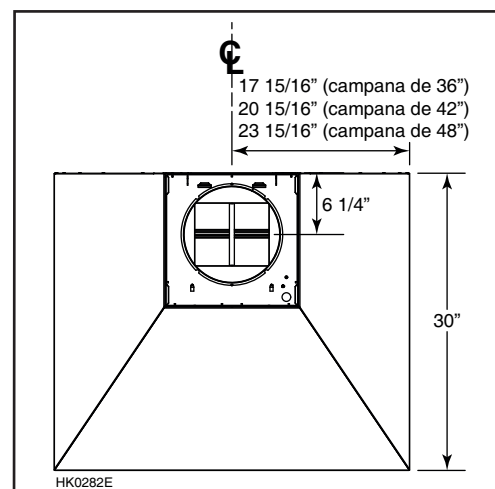
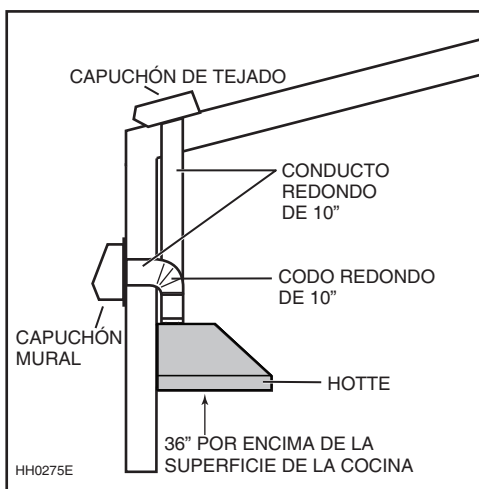
Instale conductos, codos (si es necesario) y el capuchón de la pared o del tejado de 10 pulgadas. Empiece conectando el conducto de metal al capuchón y prosiga hacia el lugar donde se encuentre la campana. Utilice cinta adhesiva metálica de 2 pulgadas para sellar las juntas.

## ⚠ ADVERTENCIA

El cable de alimentación debe ser un circuito de derivación protegido con un disyuntor.

Lleve un cable de alimentación de tres hilos hasta el lugar de la instalación.

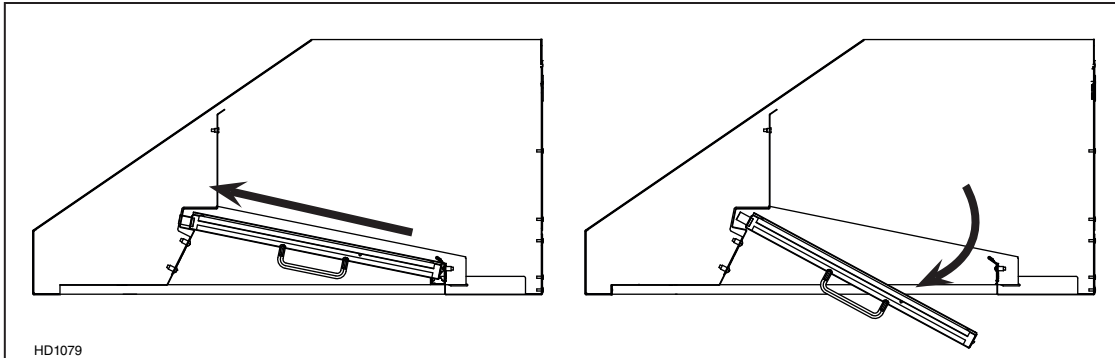
La distancia mínima entre la campana y la superficie sobre la que se cocina no debe ser inferior a 36 pulgadas.





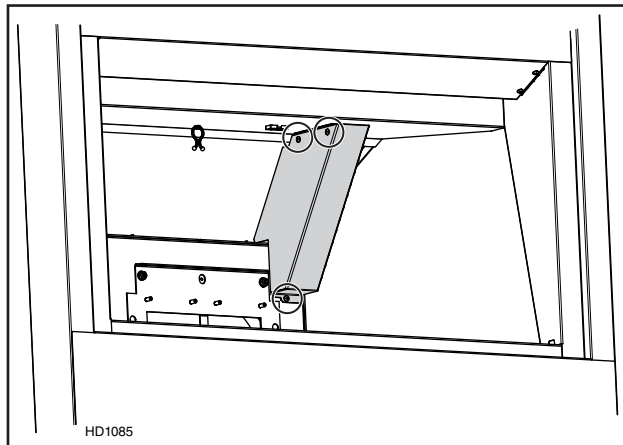
### 3. QUITE LOS FILTROS DE GRASA

Ponga la campana sobre una superficie protegida y retire la cinta de los filtros. Quite los filtros de la campana empujándolos hacia la parte delantera de la campana y girándolos hacia abajo. Saque la bolsa de piezas, el anillo adaptador y el soporte de montaje de la campana desde el interior de la campana y ponga a un lado estas piezas.

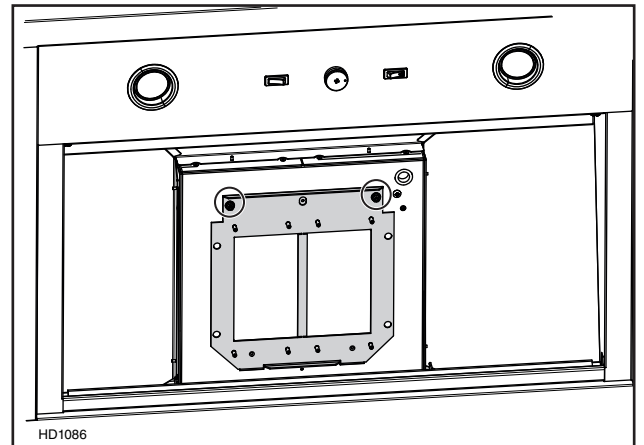


### 4. RETIRE LA TAPA DEL CABLEADO Y LA PLACA DEL VENTILADOR

Utilice un destornillador Phillips n.º para quitar los 3 tornillos de retención (rodeados con un círculo en la ilustración abajo) que sujetan la tapa del cableado dentro de la campana. Ponga a un lado la tapa y sus tornillos.



Utilice una llave para tuercas de 3/8" para retirar las 2 tuercas que sujetan la placa del ventilador al interior de la parte superior de la campana; ponga a un lado la placa y las tuercas.

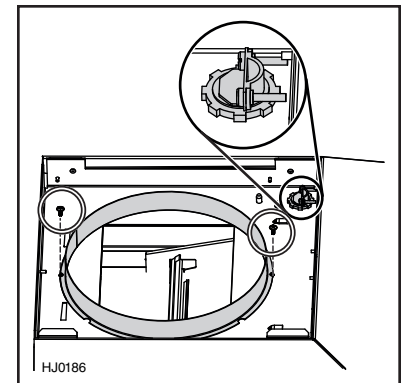


### 5. INSTALE EL ADAPTADOR Y LA ABRAZADERA DE HILOS

Instale el adaptador redondo de 10 pulgadas en la parte superior de la campana utilizando 2 tornillos Phillips n.º 8-18 x 3/8".

NOTA: Utilice las pequeñas muescas alrededor del adaptador.

Instale la abrazadera de hilos (como se muestra en el recuadro de la ilustración de la derecha).





## 6. INSTALE EL SOPORTE DE MONTAJE DE LA CAMPANA

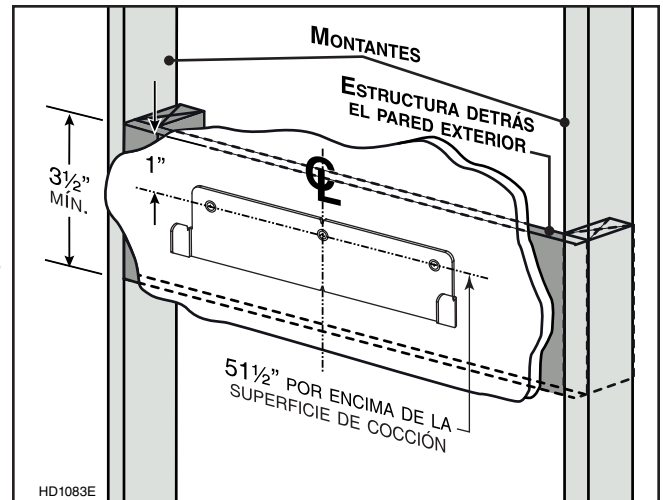
### ⚠ ADVERTENCIA

Al cortar o taladrar en la pared, procure no dañar el cableado eléctrico ni otras instalaciones ocultas. Asegúrese de que la pared es lo suficientemente sólida como para soportar el peso de la campana.

Si es necesario, construya una estructura mural con madera de 2" x 4" como mínimo. Se necesita un apoyo estructural adecuado para soportar el peso de la campana.

Una vez acabada la superficie mural, mida y marque el centro de la instalación; dibuje la línea vertical central hasta el techo.

Centre y ponga a nivel cuidadosamente el soporte de montaje de la campana en el lugar de la instalación. Sujete el soporte de montaje a la estructura mural con 3 tornillos n.º 10-12 x 2½".



## 7. INSTALE EL SOPORTE DE MONTAJE DE LA PARTE SUPERIOR DE LA CHIMENEA

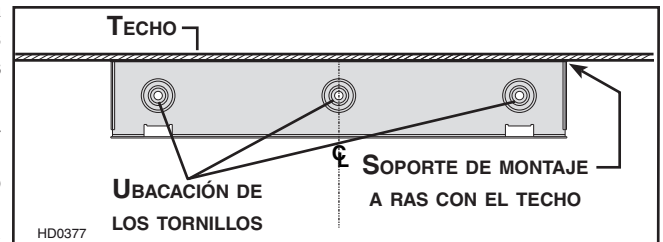
**NOTA:** El soporte de montaje de la parte superior de la chimenea viene empaquetado con la chimenea decorativa, pero los tornillos del soporte de montaje están en la bolsa de piezas de la campana.

Centre el soporte de montaje de la parte superior de la chimenea con la línea central trazada en la etapa anterior y colóquelo a ras con el techo.

Use el soporte de montaje de la parte superior de la chimenea como plantilla para marcar la posición de sus tornillos.

Sujete el soporte de la parte superior de la chimenea con 3 tornillos n.º 10-12 x 2½".

Asegúrese de que el soporte quede bien apretado contra la pared.



## 8. INSTALE LA CAMPANA

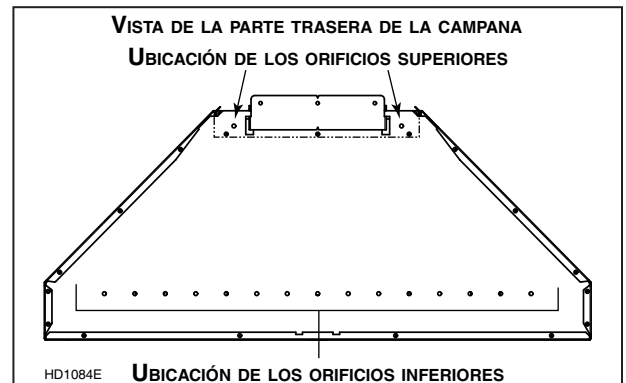
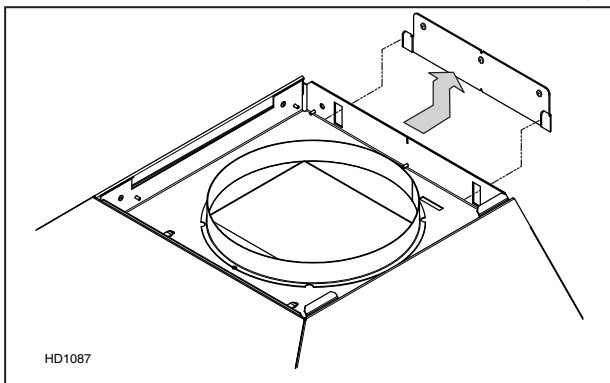
### ⚠ ADVERTENCIA

TENGA CUIDADO al instalar la chimenea decorativa y la campana, pueden tener bordes cortantes.

### PRECAUCIÓN

NO RETIRE aún la película protectora de plástico que cubre la chimenea decorativa (parte superior e inferior).

1. Alinee la campana y céntrala por encima del soporte de montaje de la campana. Baje suavemente la campana hasta que encaje firmemente en el soporte.
2. Ponga a nivel la campana.
3. Aunque la campana esté colgada, sujétela a la pared a través de ambos orificios situados en la parte superior trasera de la campana utilizando 2 tornillos n.º 10-12 x 2½" y arandelas. Si es necesario, taladre los orificios antes de fijar los tornillos.
4. Utilice al menos 1 orificio en cada lado de la parte inferior trasera de la campana para sujetar la campana a un material sólido (montantes) usando para ello 2 tornillos n.º 10-12 x 2½" y arandelas. Si es necesario, taladre los orificios antes de fijar los tornillos.



## 9. CONEXIÓN DEL CABLEADO

### ⚠ ADVERTENCIA

**Riesgo de choque eléctrico. La conexión eléctrica debe hacerla personal competente con arreglo a los códigos y normas en vigor. Antes de conectar los hilos, corte la alimentación en el tablero de servicio y bloquee los medios de desconexión para impedir que la corriente se conecte accidentalmente.**

Introduzca el cable de conexión doméstico a través de la abrazadera para hilos y apriete la abrazadera para sujetar el cable. Conecte el cable en la caja de conexiones con los conectores impermeables de hilos incluidos. Conecte el hilo NEGRO con el NEGRO, el BLANCO con el BLANCO y el VERDE o desnudo en el tornillo de tierra VERDE. **NO OLVIDE CONECTAR LA TIERRA.**

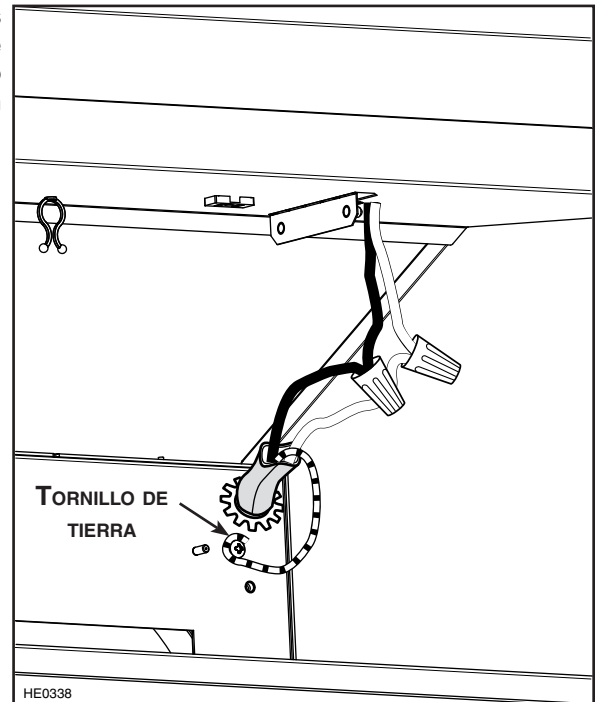
#### INSTRUCCIONES PARA LOS CONECTORES IMPERMEABLES DE HILOS:

1. Pele 3/8 de pulg. de los hilos.
2. Junte las puntas peladas o conductores.
3. No las retuerza. Coloque los hilos pelados juntos, con los extremos a la misma altura. Si la parte pelada de uno de los hilos es más corta que la del otro, ponga ese hilo más alto.
4. Gire el conector sobre los hilos empujando firmemente hasta que quede bien apretado. **NO** apriete demasiado.
5. Al introducir los hilos en los conectores, puede que salgan restos de un producto para la obturación. Limpie el sobrante de este producto alrededor de los conductores. **NO VUELVA A UTILIZAR LOS CONECTORES.**

### PRECAUCIÓN

**Al volver a instalar la tapa de la caja de cableados, introduzca con cuidado los tornillos con la mano y, a continuación, utilice un destornillador para evitar daños a la rosca de los tornillos.**

Vuelva a instalar la tapa de la caja de cableados asegurándose de no aplastar los cables.

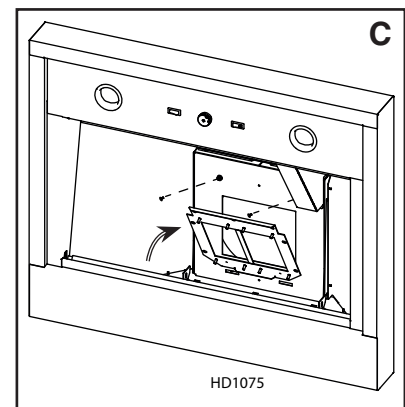
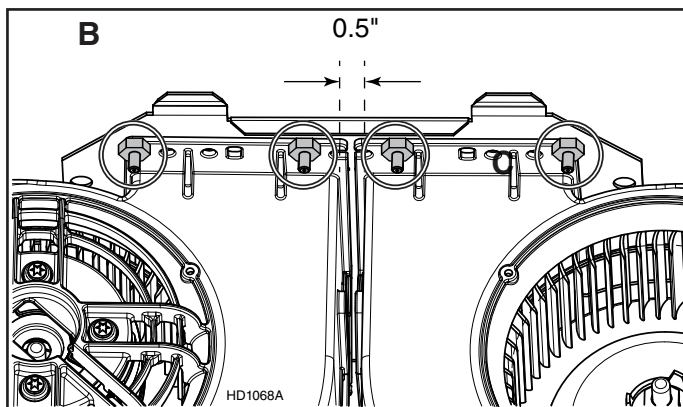
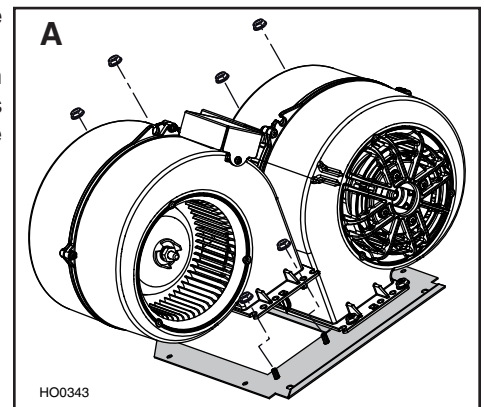


## 10. INSTALE EL VENTILADOR EN LA CAMPANA

Tome la placa del ventilador que retiró en la etapa 4 y colóquela sobre una superficie protegida.

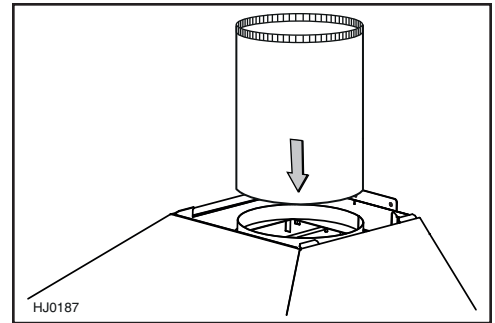
Monte ambos ventiladores en la placa del ventilador con 8 tuercas hexagonales que vienen con los ventiladores asegurándose de que los ventiladores cubran totalmente ambos agujeros en la placa del ventilador (véase la ilustración **A**). Entre los ventiladores debe haber una separación de 0,5 pulgadas (véase la ilustración **B**).

Vuelva a instalar la placa del ventilador con los ventiladores en la campana introduciendo las lengüetas de la placa en las ranuras y sujetándolas con las tuercas que retiró en la etapa 4 (véase la ilustración **C**; los ventiladores no aparecen para facilitar la comprensión). Conecte el cable de alimentación de los ventiladores a la campana y ate el cable de alimentación de los ventiladores con el alambre preinstalado.



## 11. CONEXIÓN DEL CONDUCTO

Ponga un conducto redondo de 10" sobre el adaptador en la campana. Utilice cinta adhesiva metálica para sellar la junta.



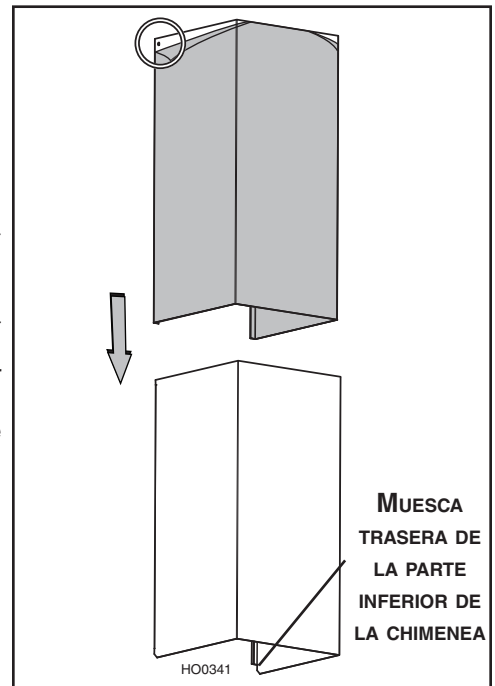
## 12. PREPARE E INSTALE LA CHIMENEA DECORATIVA

Retire la película protectora de plástico que cubre sólo la parte inferior de la chimenea decorativa.

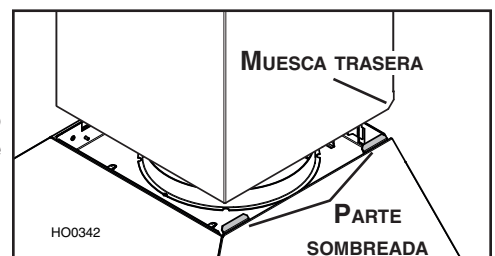
Pele las dos esquinas en la parte superior de la chimenea decorativa.

Coloque hacia abajo las muescas traseras de la parte inferior de la chimenea decorativa (que tienen un ángulo de 45°).

Deslice suavemente la parte superior de la chimenea decorativa dentro de la parte inferior de la chimenea decorativa, asegurándose de que los orificios estén en la parte superior, de modo que la parte superior de la chimenea decorativa pueda atornillarse al soporte de montaje.



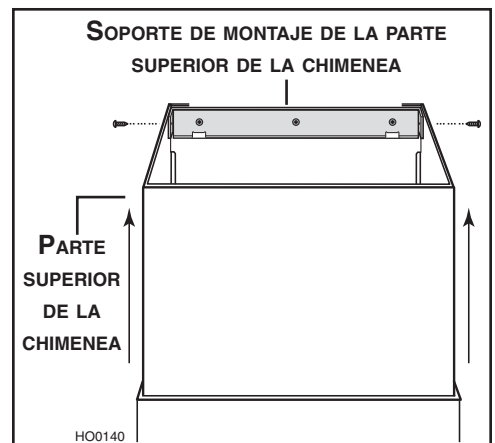
Coloque cuidadosamente en su lugar las dos partes de la chimenea decorativa (el extremo con las muescas en primer lugar) entre la parte sombreada y la pared exterior de la parte superior de la campana.



Deslice hacia arriba la parte superior de la chimenea hasta que quede alineada con el soporte de montaje. El soporte debe quedar dentro de la chimenea. Sujete la parte superior de la chimenea al soporte con 2 tornillos n.º 8 x 3/8" (incluidos en la bolsa de piezas de la campana).

NOTA: no se muestra el conducto en la ilustración para facilitar la comprensión.

Retire la película protectora de plástico que cubre la parte superior de la chimenea.



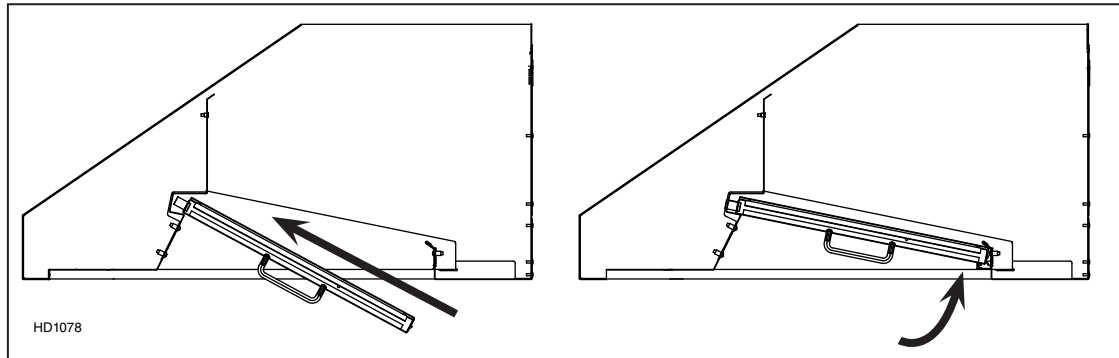
## 13. VUELVA A INSTALAR LOS FILTROS

### PRECAUCIÓN

Retire la película protectora de plástico que cubre los filtros antes de instalarlos.

Se aconseja instalar primero los filtros laterales y terminar por el o los centrales.

1. Introduzca el extremo del filtro con el muelle en el canal delantero de la campana.
2. Levante el otro extremo hacia el interior de la campana e introdúzcalo en el riel de vertido de la grasa.



## 14. FUNCIONAMIENTO

### PRECAUCIÓN

Antes de utilizar la campana, retire la película protectora de plástico restante que cubre la superficie de la campana.

#### VENTILADOR

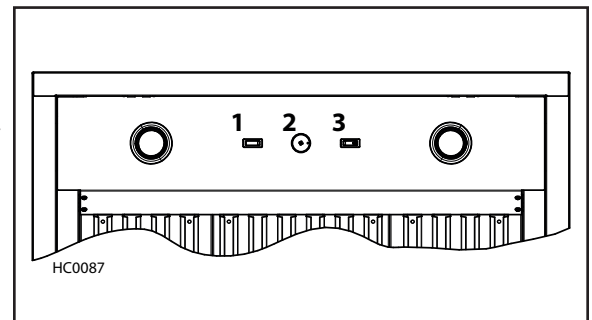
El ventilador se maneja con dos controles.

Utilice el interruptor oscilante (1) para poner en marcha y detener el ventilador. Al ponerlo en marcha, el interruptor se ilumina en rojo y el ventilador funciona a la velocidad que se haya elegido con el botón de control de velocidad (2).

Gire el botón de control de velocidad en el sentido contrario de las agujas del reloj para incrementar la velocidad del ventilador y en el sentido de las agujas del reloj para disminuirla.

#### LUCES (HALÓGENAS)

Utilice el interruptor oscilante (3) para encender y apagar las luces halógenas.



- 1) Interruptor ENCENDIDO/APAGA del ventilador
- 2) Botón de control de velocidad del ventilador
- 3) Interruptor de las luces halógenas

#### HEAT SENTRY™

Este campana viene equipado con un termostato Heat Sentry™. Este termostato pondrá en marcha el ventilador a alta velocidad si detecta un calor excesivo por encima de la superficie de cocción.

- 1) Si el ventilador está apagado, lo pondrá en marcha a alta velocidad.
- 2) Si el ventilador ya está encendido, lo pondrá a alta velocidad.

### ⚠ ADVERTENCIA

**Durante un calor excesivo, el Heat Sentry puede poner en marcha el ventilador, incluso si este está apagado. Si este es el caso, es imposible parar el ventilador con su interruptor. Si usted necesita detener el ventilador, hágalo a partir del panel eléctrico principal.**

Cuando la temperatura baje a un nivel normal, el ventilador volverá a su velocidad original.

## 15. USO Y CUIDADO

### Filtros deflectores

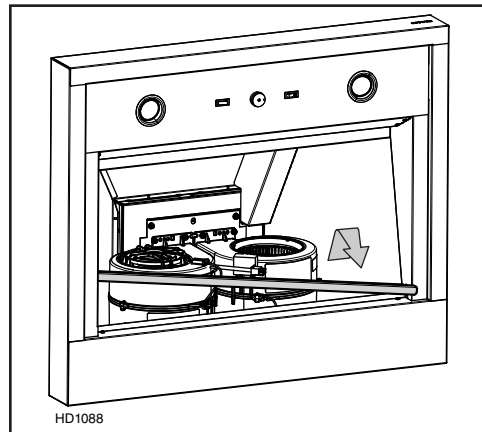
Los filtros deflectores deben limpiarse con frecuencia. Utilice una disolución de detergente con agua templada. Lávelos con mayor frecuencia si su tipo de cocina genera más grasa (alimentos fritos o cocina con wok).

Retire los filtros empujándolos hacia la parte delantera de la campana y girándolos hacia abajo. Las placas de los filtros pueden lavarse en el lavavajillas. Deje que los filtros sequen completamente antes de volver a instalarlos en la campana.

Limpie los filtros totalmente metálicos en el lavavajillas con un detergente sin fosfato. El filtro podría descolorarse si se utiliza un detergente con fosfato o debido al tipo de agua, pero esto no afecta su funcionamiento. Este descoloramiento no está cubierto por la garantía.

### Riel de vertido de la grasa

El riel de vertido de la grasa debe limpiarse con frecuencia. Para quitarlo, gire el riel para separarlo del tablero inferior y, a continuación, deslícelo hacia fuera en un movimiento en diagonal. Lávelo en una solución detergente con agua caliente. Igual que con los filtros, lávelo con más frecuencia si su tipo de cocina genera más grasa; por ejemplo, con las frituras o la cocina con wok. Deje que el riel de vertido de la grasa se seque completamente antes de volver a colocarlo en la campana.



### Limpieza de la campana

Limpieza del acero inoxidable:

#### Debe hacerse:

- Limpiar regularmente las superficies con un trapo limpio humedecido con una mezcla de agua templada y jabón suave o detergente para la vajilla.
- Limpiar siempre en la dirección de las líneas originales de pulido del acero.
- Enjuagar siempre con agua limpia (2 o 3 veces) después de limpiar. Seque completamente.
- También puede utilizar un limpiador doméstico especial para acero inoxidable.

#### No debe hacerse:

- Utilizar un estropajo de acero o acero inoxidable u otro tipo de rasquetas para quitar la suciedad resistente.
- Utilizar limpiadores fuertes o abrasivos.
- Dejar que la suciedad se acumule.
- Dejar que el polvo del yeso u otros residuos de la construcción manchen la campana. Si efectúa obras de construcción o renovación, cubra la campana para que no se manche la superficie de acero inoxidable.

#### Al escoger un detergente, evite:

- Los limpiadores que contienen **blanqueador** (lejía), ya que dañarán el acero inoxidable.
- Los productos que contengan **cloruro, fluoruro, yoduro y bromuro**, ya que deterioran las superficies rápidamente.
- Los productos combustibles que se emplean para la limpieza, como **acetona, alcohol, éter, bencol**, etc., ya que son altamente explosivos y nunca deberían estar cerca de una cocina.

## 16. SUSTITUCIÓN DE LAS BOMBILLAS

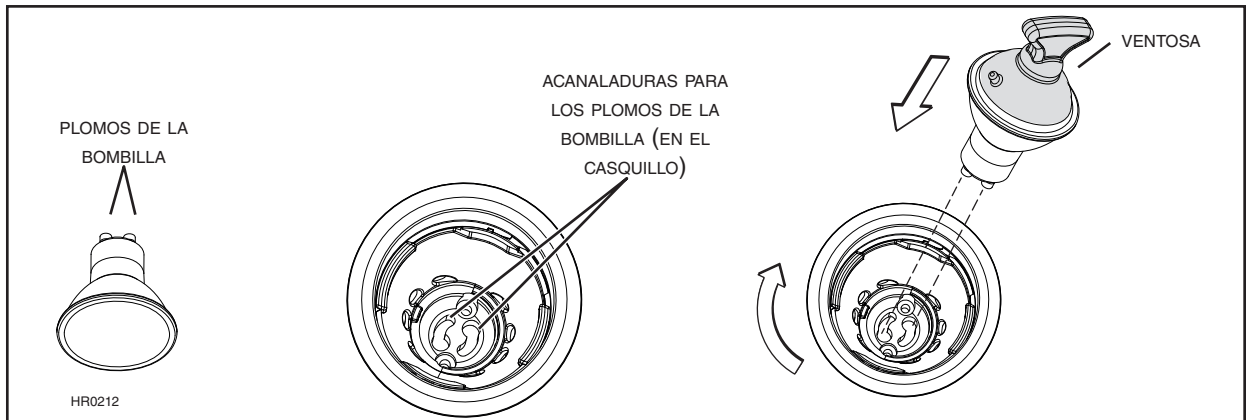
Este campana debe utilizar bombillas halógenas protegidas de tipo MR16, de 120 V y 50 W con base GU10 o PAR16 con base GU10.

### ⚠ ADVERTENCIA

**No tocar las bombillas durante o justo después de la utilización. Pueden causar quemaduras. Para prevenir el riesgo de lesiones corporales, instale solamente bombillas halógenas protegidas. Nunca instalar una bombilla dicróica o no concebida para luminarias empotradas o bombillas identificadas sólo para uso en dispositivos encerrados.**

Para retirar una bombilla, presione la ventosa (incluida en la bolsa de piezas) contra la bombilla y gire en sentido contrario a las agujas de un reloj para retirar los plomos de la bombilla de las acanaladuras en el casquillo.

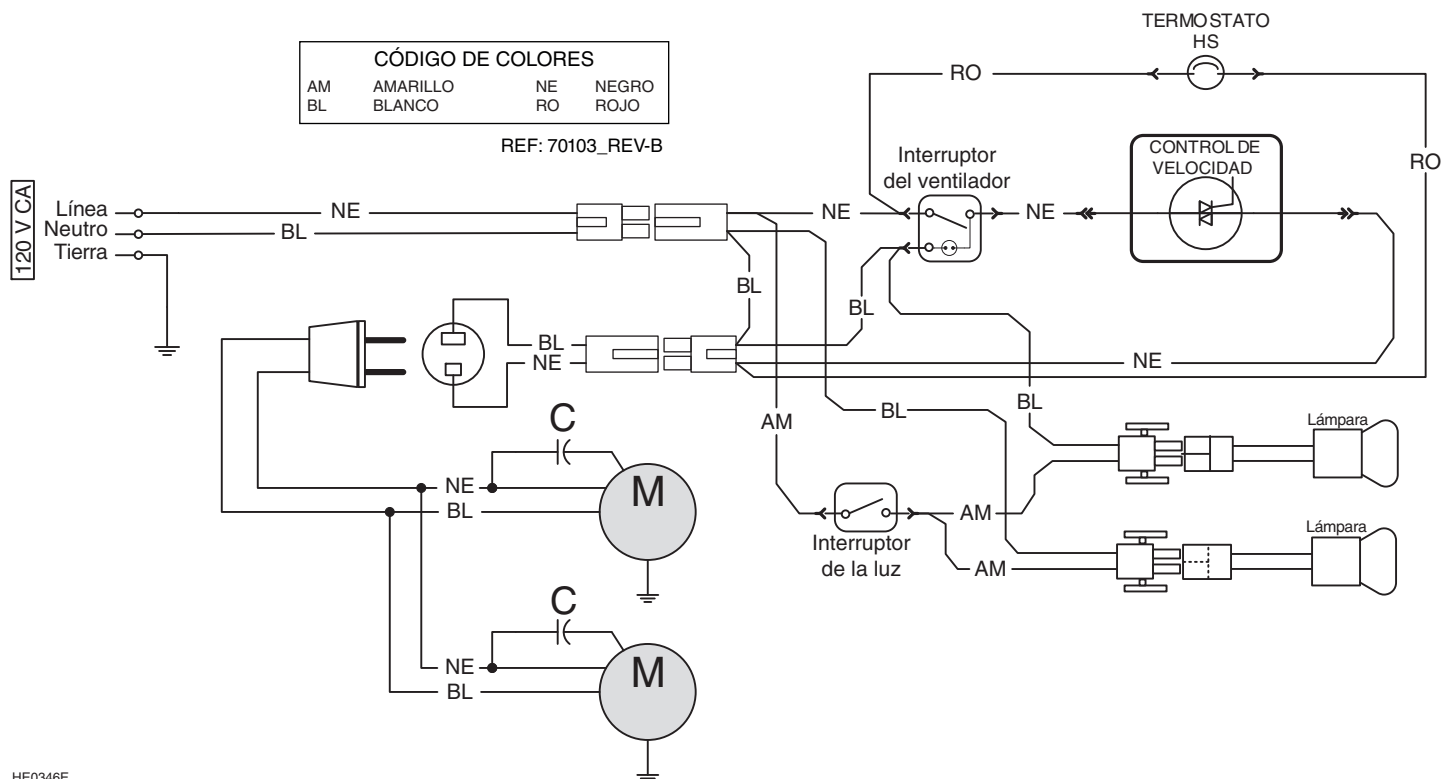
Instale la bombilla colocando los plomos en sus acanaladuras en el casquillo. Empuje suavemente hacia arriba y gire en el sentido de las agujas de un reloj hasta fijar la bombilla.



## 17. DIAGRAMA ELÉCTRICO

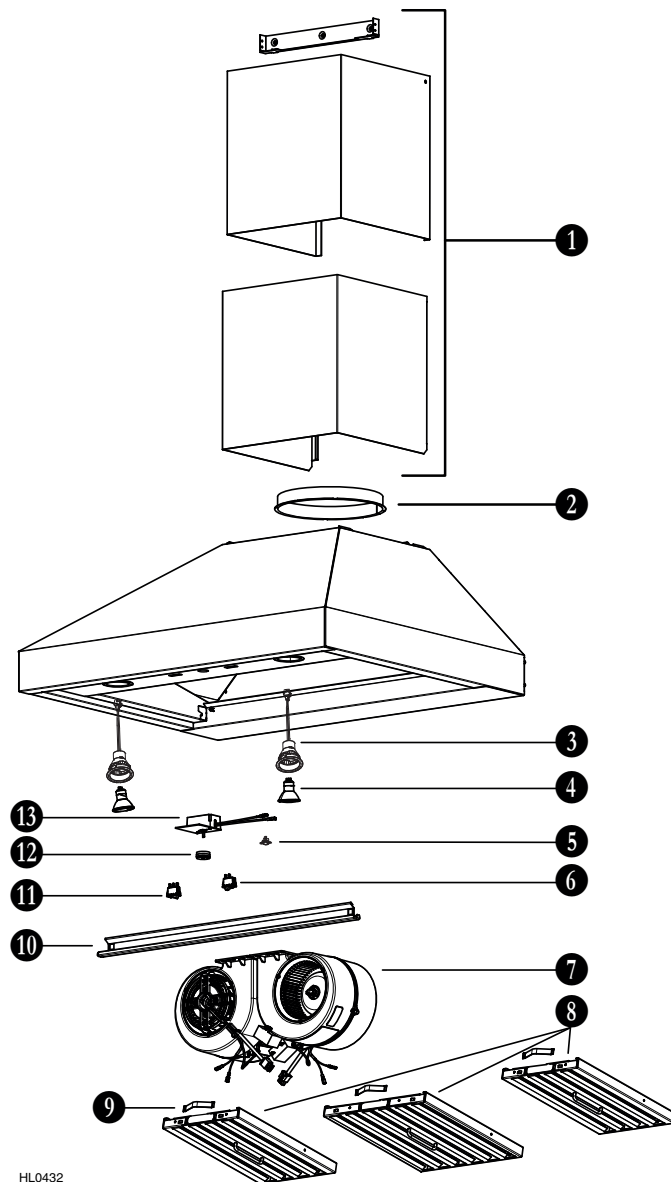
### ⚠ ADVERTENCIA

**Riesgo de choque eléctrico. La conexión eléctrica debe hacerla personal competente con arreglo a los códigos y normas en vigor. Antes de conectar los hilos, corte la alimentación en el tablero de servicio y bloquee los medios de desconexión para impedir que la corriente se conecte accidentalmente.**



HE0346E

## 18. PIEZAS DE REPUESTO



HL0432

### SUSTITUCIÓN DE PIEZAS Y REPARACIÓN

Para que la unidad se conserve en buen estado, debe usar repuestos genuinos de Broan-NuTone únicamente. Estas piezas se han diseñado especialmente para cada unidad y se han fabricado conforme a las normas de certificación aplicables y un elevado nivel de seguridad. El uso de repuestos de otros fabricantes podría causar daños graves y reducir radicalmente el desempeño de la unidad, causando así fallas prematuras. Broan-NuTone también aconseja ponerse en contacto con un taller de reparación homologado por Broan-NuTone para todos los repuestos y reparaciones.

N.º	N.º DE PIEZA	DESCRIPCIÓN	CANTIDAD		
			36"	42"	48"
1	AEWTD915SB*	KIT DE LA CHIMENEA DECORATIVA - TECHOS DE 8 A 8,5 PIES DE ALTURA	1	1	1
1	AEWTD1629SB*	KIT DE LA CHIMENEA DECORATIVA - TECHOS DE 8,5 A 9,5 PIES DE ALTURA	1	1	1
1	AEWTD3057SB*	KIT DE LA CHIMENEA DECORATIVA - TECHOS DE 9,5 A 12 PIES DE ALTURA	1	1	1
2	SV08541	ADAPTADOR REDONDO DE 10"	1	1	1
3	SV16569	CONJUNTO DEL CASQUILLO Y DEL PORTALÁMPARAS	2	2	2
4	SV05921	BOMBILLA HALÓGENA GU10	2	2	2
5	SV03435	TERMOSTATO HEAT SENTRY™	1	1	1
6	SV02563	INTERRUPTOR OSCILANTE DE LA LUZ	1	1	1
7	P12NA**	CONJUNTO DEL VENTILADOR	1	1	1
8	SV60675	FILTRO CON MUELLE DE FILTRO DE 11,84" x 15,125"	1	3	2
	SV60716	FILTRO CON MUELLE DE FILTRO DE 8,84" x 15,125"	2	0	2
9	SV08337	MUELLES PARA FILTROS (JUEGO DE 6)	1	1	1
10	SV65734	RIEL DE VERTIDO DE LA GRASA PARA CAMPANA DE 36" DE ANCHO	1	0	0
	SV65735	RIEL DE VERTIDO DE LA GRASA PARA CAMPANA DE 42" DE ANCHO	0	1	0
	SV65736	RIEL DE VERTIDO DE LA GRASA PARA CAMPANA DE 48" DE ANCHO	0	0	1
11	SV03503	INTERRUPTOR OSCILANTE DEL VENTILADOR	1	1	1
12	SV08549	BOTÓN DE CONTROL DE LA VELOCIDAD DEL VENTILADOR	1	1	1
13	SV03501	CONTROL DE LA VELOCIDAD DEL VENTILADOR	1	1	1
***	SV23320	BOLSA DE PIEZAS: 1 ABRAZADERA DE HILOS, 3 CONECTORES DE HILOS IMPERMEABLES, 14 TORNILLOS N.º 10-12 x 2½", 4 TORNILLOS N.º 8-18 x 3/8", 10 ARANDELAS, 1 VENTOSA	1	1	1

\* PIEZA OPCIONAL, SE VENDE POR SEPARADO

\*\* SE VENDE POR SEPARADO

\*\*\* NO SE MUESTRA



## 19. GARANTÍA

### Garantía limitada DE CINCO AÑOS PARA PRODUCTOS BEST®

**Periodo de garantía y exclusiones:** Broan-NuTone LLC (la «Compañía») garantiza al consumidor quien compra su producto («Usted») que el producto (el «Producto») será libre de defectos importantes de fabricación y de materiales por una duración de cinco (5) años a partir de la fecha de compra (o por una duración más larga si la ley aplicable lo exige) o un periodo de dos (2) años a partir de la fecha de prestación de un servicio sobre el Producto.

El periodo de garantía limitada para las piezas de repuesto proporcionadas por la Compañía y los Productos reparados o reemplazados bajo esta garantía limitada será el resto del periodo de garantía original (o un periodo más largo si la ley aplicable lo exige).

**ESTA GARANTÍA EXCLUYE LOS ARRANCADORES DE LÁMPARAS FLUORESCENTES, LOS TUBOS, LAS BOMBILLAS, LOS FUSIBLES, LOS FILTROS, LOS CONDUCTOS, LAS TAPAS PARA TECHO, LAS TAPAS PARA PARED Y LOS OTROS ACCESORIOS PARA CONDUCTOS.** También excluye: a) el mantenimiento normal, b) el uso y desgaste normales, c) los productos y las piezas que han sido objeto de un uso indebido, anormal o negligente, un maltrato, un accidente, un mantenimiento, almacenamiento o reparación inadecuados (excepto en caso de reparación por la Compañía), d) los daños causados por una instalación inadecuada, o por una instalación o un uso contrario a las recomendaciones o instrucciones, e) los daños causados por el contacto con el aire salino, f) los daños que ocurran durante el transporte, g) el desgaste normal del acabado, h) los Productos que son objeto de un uso comercial o no residencial, i) los daños causados por el fuego, una inundación u otro desastre natural o j) los Productos a los cuales se les haya alterado, desfigurado o removido el número de serie. Esta garantía solo cubre los Productos vendidos a consumidores de Norteamérica.

Esta garantía substituye todas las garantías anteriores y, sin perjuicio de la ley aplicable, no se puede transferir por el comprador original.

**Ninguna otra garantía:** Esta garantía limitada enuncia la única obligación de la Compañía y el único recurso que tiene Usted en cuanto a los Productos defectuosos. Las garantías enunciadas arriba son exclusivas y se anteponen a todas las otras garantías y condiciones, ya sean expresas o implícitas. **EN LA MEDIDA MÁXIMA EN QUE LO PERMITA LA LEY APLICABLE, LA COMPAÑÍA RENUNCIA A TODAS LAS OTRAS GARANTÍAS Y CONDICIONES EXPRESAS O IMPLÍCITAS POR LA LEY Y LAS EXCLUYE, INCLUYENDO, ENTRE OTRAS, LAS GARANTÍAS DE COMERCIALIZACIÓN Y LAS DE IDONEIDAD PARA UN PROPÓSITO PARTICULAR.** En la medida en que la ley aplicable prohíba la exclusión de las garantías o condiciones implícitas, la duración de cualquier garantía o condición implícita aplicable se limita al periodo indicado para la garantía expresa mencionada arriba. Ciertas jurisdicciones (incluyendo a veces la provincia de Quebec o ciertos estados de los Estados Unidos) prohíben la restricción de la duración de las garantías implícitas, así que la restricción mencionada arriba podría no aplicarse a Usted. Las descripciones orales o escritas del Producto tienen como único propósito identificar al Producto y no se deben interpretar como una garantía expresa.

Cuando sea posible, cada disposición de esta garantía limitada se debe interpretar de manera que tenga plena validez y efectos legales bajo la ley aplicable, pero en el caso de que se declare prohibida o nula una disposición, ésta será nula solo en la medida en que lo prevea esta prohibición o nulidad, sin efecto para los otros elementos de esta disposición o las otras disposiciones de esta garantía limitada.

**Recurso:** Durante el periodo de garantía limitada aplicable, la Compañía, según su criterio, proporcionará piezas de repuesto o servicios de reparación o reemplazo sin cargo alguno para cualquier Producto o pieza de Producto, en la medida en que la Compañía constata a) que esta garantía cubre este Producto o esta pieza bajo un uso y mantenimiento normales y b) que la garantía queda incumplida. La Compañía le enviará el Producto reparado, el producto de reemplazo o las piezas de repuesto sin cargo alguno. Usted tendrá que pagar todos los costos de desinstalación, reinstalación y envío así como los otros cargos de transporte relacionados con el envío del Producto o la pieza a la Compañía. Si Usted debe enviar el Producto o la pieza a la Compañía, conforme a las instrucciones de la misma, Usted tendrá que empaquetar el Producto o la pieza correctamente; la Compañía no es responsable de los daños que ocurran durante el transporte. La Compañía se reserva el derecho de utilizar Productos o piezas reacondicionados, renovados, reparados o remanufacturados para la reparación o el reemplazo bajo esta garantía. Estos Productos y piezas serán comparables en cuanto a la función y el rendimiento con el Producto o la pieza original y serán garantizados por la duración restante del periodo de garantía original (o por una duración más larga si la ley aplicable lo exige). La Compañía se reserva el derecho, según su exclusivo criterio, de reembolsar el monto que Usted haya realmente pagado por el Producto. Si el Producto o la pieza ya no está disponible, la Compañía puede, según su exclusivo criterio, reemplazarlo con un producto similar de valor igual o superior. Esto constituye su único y exclusivo recurso en caso de incumplimiento de esta garantía limitada.

**Exclusión de los daños: LA OBLIGACIÓN DE LA COMPAÑÍA DE PROPORCIONAR PIEZAS DE REPUESTO O DE REPARAR O REEMPLAZAR EL PRODUCTO, SEGÚN SU CRITERIO, ES EL ÚNICO Y EXCLUSIVO RECURSO QUE TIENE USTED BAJO ESTA GARANTÍA LIMITADA Y LA ÚNICA OBLIGACIÓN DE LA COMPAÑÍA. ÉSTA NO SERÁ RESPONSABLE DE LOS DAÑOS INCIDENTALES, INDIRECTOS, CONSECUENTES O ESPECIALES CAUSADOS DIRECTAMENTE O INDIRECTAMENTE POR EL PRODUCTO, SU USO O SU RENDIMIENTO.**

Puesto que ciertas jurisdicciones prohíben la exclusión o restricción de los daños incidentales o consecuentes, la exclusión o restricción mencionada arriba podría no aplicarse a Usted. Esta garantía le otorga derechos legales específicos, y Usted también podría tener otros derechos, los cuales pueden ser diferentes según la jurisdicción. Las renunciaciones, exclusiones y restricciones de responsabilidad bajo esta garantía no se aplican en la medida en que lo prohíba la ley aplicable. Esta garantía solo cubre el reemplazo o la reparación de las piezas o los Productos defectuosos al sitio de negocio principal de la Compañía; los gastos de viaje y estancia relacionados con los servicios de campo están excluidos. Cualquier asistencia proporcionada u obtenida para Usted por la Compañía y que no está cubierta por las condiciones, restricciones o exclusiones de esta garantía limitada no constituye una renuncia a estas condiciones, restricciones y exclusiones, y la prestación de dicha asistencia no prolongará o restablecerá la garantía.

La Compañía no le reembolsará los gastos que Usted haya hecho por la reparación o el reemplazo de un Producto defectuoso, excepto si Usted ha previamente recibido el permiso escrito de la Compañía por ellos.

**Cómo obtener el servicio de garantía:** Para tener derecho al servicio de garantía, Usted debe a) informar la Compañía a la dirección o al número de teléfono escrito aquí abajo dentro de siete (7) días después de que haya descubierto el defecto cubierto, b) dar el número de serie y los datos de identificación de la pieza y c) describir la naturaleza de cualquier defecto del Producto o de la pieza. Cuando solicite el servicio de garantía, Usted tiene que presentar una prueba de la fecha de compra original. Si no puede proporcionar una copia de la versión escrita original de la garantía limitada, las condiciones de la versión más reciente de la garantía limitada de la Compañía para su producto se aplicarán.

### ESPECIFICACIONES DEL PRODUCTO

Todas las ilustraciones y las especificaciones en este catálogo están establecidas según la información que era la más reciente en el momento en cual fue producido. Broan-NuTone LLC y BEST® se reservan el derecho de cambiar, en cualquier momento y sin previo aviso, los precios, colores, materiales, productos, especificaciones y modelos y el lugar de fabricación, así como de parar la producción de un modelo o producto.

Best

Broan-NuTone, LLC: 926 W. State Street, Hartford, WI 53207 1 800 637-1453

Best®, 550, boul. Lemire, Drummondville (Québec), Canada (1 866 737-7770) [www.bestrangehoods.com](http://www.bestrangehoods.com)