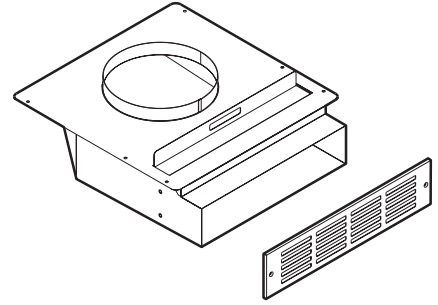


MODEL ANKD NON-DUCT RECIRCULATION KIT



For use with BEST® Downdraft Models D49M30SB, D49M36SB and D49M48SB.

FEATURES

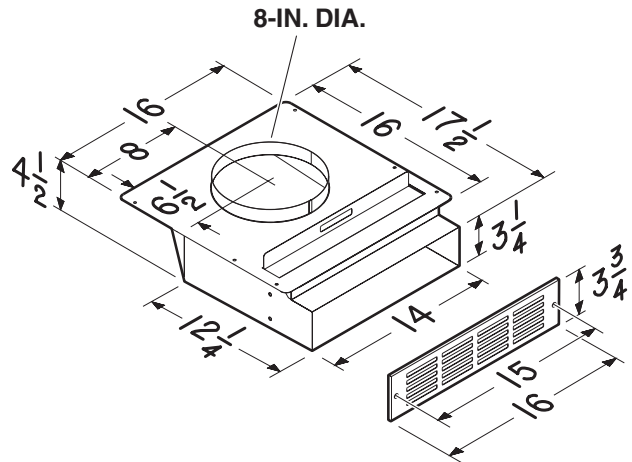
- 25 GA. galvanized steel housing construction
- Installs in bottom of cabinet, beneath downdraft
- Connects to downdraft blower using 8-inch round flexible duct (Purchase duct separately.)
- May require 3¼" x 14" rectangular duct between recirculation housing and grille (Purchase duct separately.)
- Designed to vent in one of 4 directions:
 - Front, through cabinet toe-space
 - Left or Right, through side of cabinet
 - Rear, through back of cabinet
- Includes:
 - Replaceable duct-free filter
 - 20 GA. stainless steel grille
 - Template for optional decorative grille construction
 - Mounting screws

TYPICAL SPECIFICATION

Duct-free Recirculation Kit shall be Best® Model ANKD. Recirculation kit housing to be constructed from 25 ga. galvanized steel and connect to downdraft blower using 8-inch flexible duct.

Unit shall be able to be installed to exhaust through front toe-space, left or right side, or rear of cabinet.

Recirculation kit will include a 20 ga. stainless steel grille, replaceable duct-free filter, mounting screws, and template for optional decorative grille construction.



BEST Hartford, Wisconsin www.BestRangeHoods.com 800-558-1711
 BEST Drummondville, QC, Canada www.BestRangeHoods.com 866-737-7770

REFERENCE	QTY.	REMARKS	Project
			Location
			Architect
			Engineer
			Contractor
			Submitted by
			Date